

## ITEM 111493 RPS3131SC175LSFM5

Description	Technical data	Accessories	Downloads
-------------	----------------	-------------	-----------



### Features

- › Plastic housing
- › Emergency stop device with detent mechanism according to EN ISO 13850 and EN 60204-1
- › Clamping head for pull rope
- › Indication of correct rope tension
- › Plug connector M12, 5-pin, left
- › Switching elements with 2 switching contacts
- › Emergency stop

### Switching element

**3131** Slow-action switching contact 2 NC ↻

### Approvals



## Mechanical values and environment

Housing material	Reinforced thermoplastic
Weight	
Net	0,8 kg
Ambient temperature	-25 ... 70 °C
Degree of protection	IP67
Mechanical life	0,1 x 10 <sup>6</sup>
Switching principle	Slow-action switching contact
Rope diameter	2 ... 5 mm
Installation position	Any
Number of positively driven contacts	2
Connection	Plug connector M12 [1]
Actuating force	175 N

## Electrical connection ratings

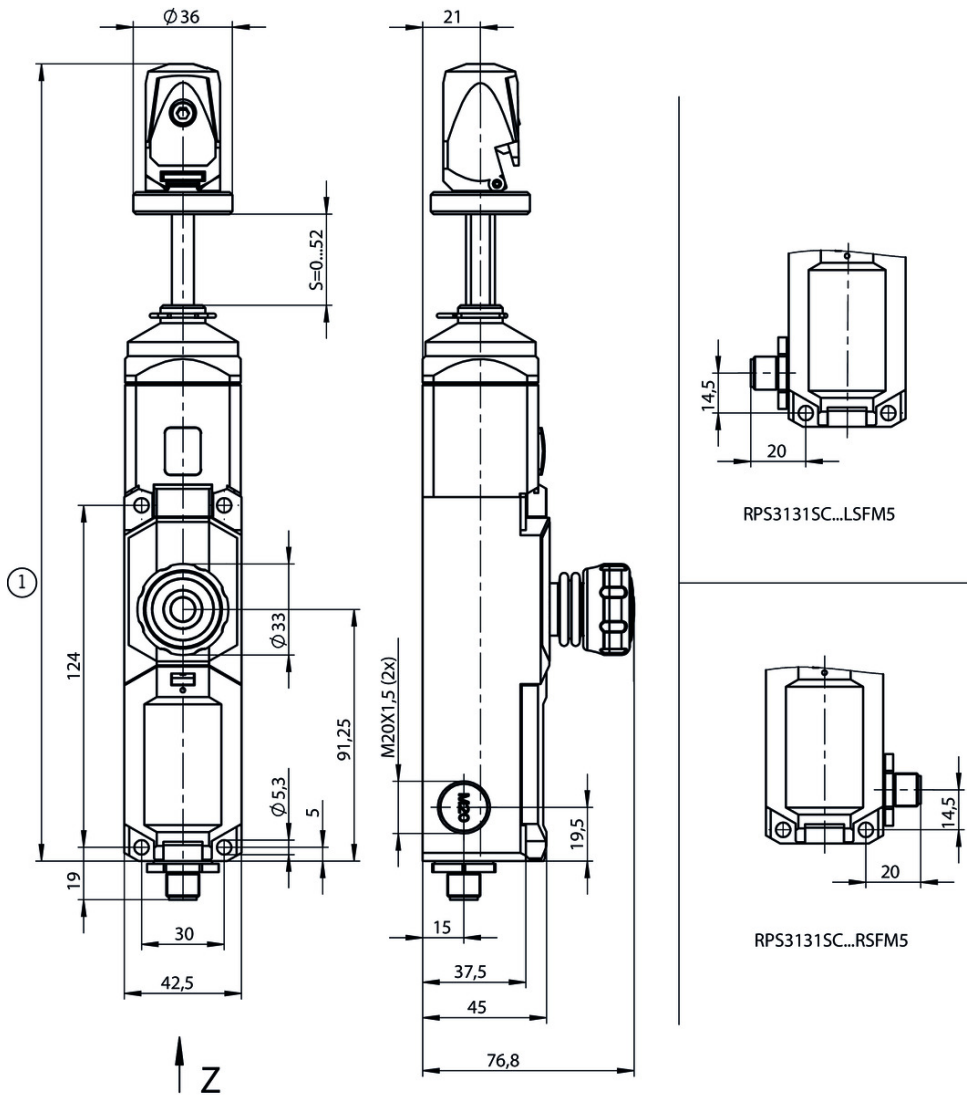
Rated thermal current I <sub>th</sub>	4 A
Utilization category according to EN 60947-5-1	
AC-15	3A 50V
Short circuit protection according to IEC 60269-1	
(Fuse)	4A gG
Rated insulation voltage U <sub>i</sub>	50 V
Rated impulse withstand voltage U <sub>imp</sub>	1,5 kV
Switching current	
at 24V	min.10 mA

## Miscellaneous

Additional feature	Emergency stop function
--------------------	-------------------------

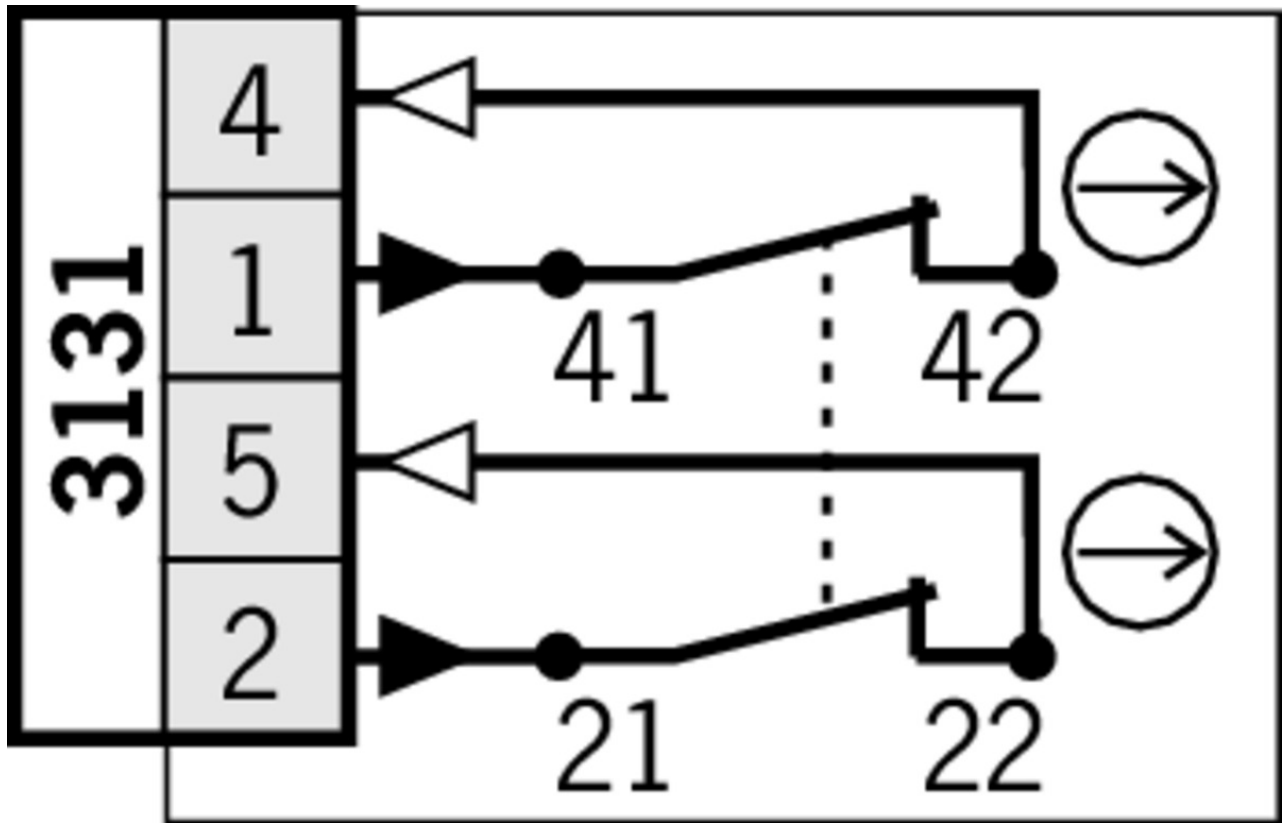
[1] 5-pin (without PE) - left

## Dimension drawing

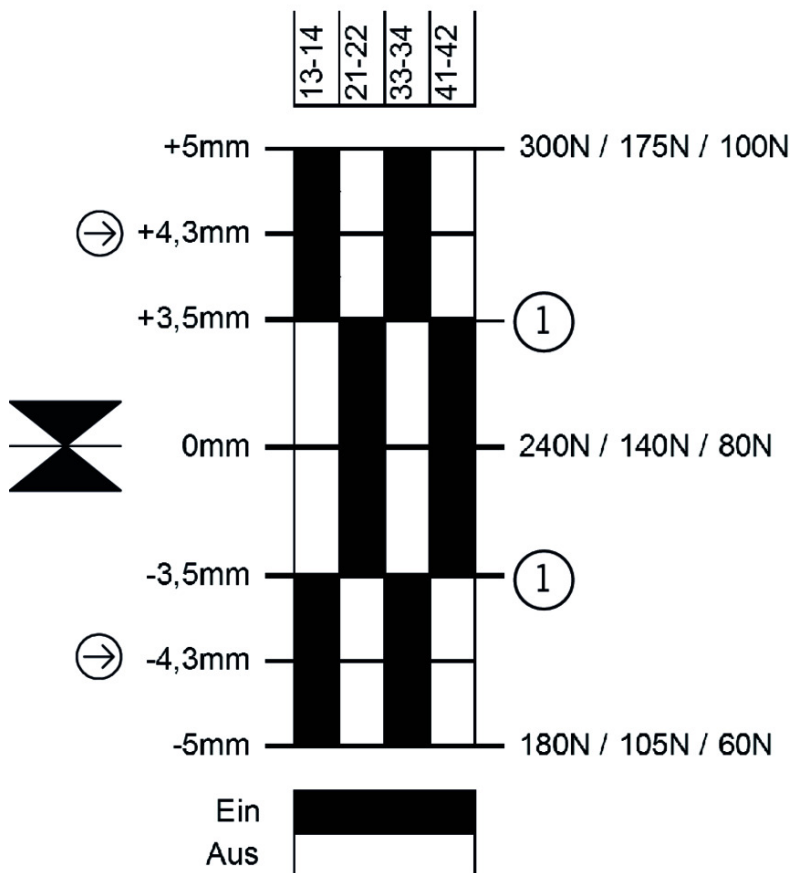


## Legende

1 265...317 (adjustable via S)



## Travel diagram



## Legende

- 1 Detent mechanism
- Switching-point tolerance  $\pm 0.5$  mm

## Mounting accessories

- ▼ Pulley set RPS-PS/V5 for rope pull switches



**092501** RPS-PS/V5

- ▼ Features

- › Pulley set consisting of rope pulley block and pulley support

- ▼ Tensioning rope for rope pull switches



**092814** RPS-I-3-4/100M

- ▼ Features

› Tensioning rope with 100m length

---



**092813** RPS-I-3-4/50M

▣ Features

› Tensioning rope with 50m length

---

▣ Rope set for rope pull switches

**092496** RPS-RS/V5

▣ Features

› Rope set consisting of thimble and rope clamp

---

▣ Eyebolt for rope pull switches

**092495** RPS-O-8-50/V5

▣ Features

› Eyebolt with thread M8

---

▣ Turnbuckle for rope pull switches

**092500** RPS-B-6-110

▣ Features

› Turnbuckle M6 x 100

---

**092498** RPS-B-6-60/V5

▣ Features

› Turnbuckle M6 x 60

---

▣ Tensioner spring for rope pull switches



**092136** RPS-W-100/175

▣ Features

› Tensioner spring for tensile force 110 N / 175 N

---

▣ Pulley set RPS-P/V1 for rope pull switches



**096251** RPS-P-7-70

▣ Features

› Pulley Ø 14mm

---

## Function expansion

---

▣ Built-in LED



**087423** EINBAULEUCHTE LED M20X1,5

---



## 095510 EINBAULEUCHTE LED-F M20X1,5

---

### Connection material

---

- Connection cable with straight plug connector M12, 5-pin, 5m



**100183** C-M12F05-05X034PV05,0-MA-100183

Features

- > M12 female plug, 5-pin
  - > Straight plug connector
  - > PVC cable
  - > Cable length 5 m
  - > With flying lead
- 

- Connection cable with plug connector M12, 5-pin, 10m



**100184** C-M12F05-05X034PV10,0-MA-100184

Features

- > M12 female plug, 5-pin
  - > Straight plug connector
  - > PVC cable
  - > Cable length 10 m
  - > With flying lead
- 

- Connection cable with plug connector M12, 5-pin, 20m



**100185** C-M12F05-05X034PV20,0-MA-100185

Features

- > M12 female plug, 5-pin
  - > Straight plug connector
  - > PVC cable
  - > Cable length 20 m
  - > With flying lead
- 

- Connection cable with 2 plug connectors M12, 5-pin, 5m



**100180** C-M12F05-05X034PV05,0-M12M05-100180

Features

- > M12 female plug to M12 plug connector, 5-pin
  - > Straight female plug and plug connector
  - > PVC cable
  - > Cable length 5 m
- 

- Connection cable with 2 plug connectors M12, 5-pin, 10m



**100181** C-M12F05-05X034PV10,0-M12M05-100181

Features

- > M12 female plug to M12 plug connector, 5-pin
- > Straight female plug and plug connector
- > PVC cable

› Cable length 10 m

☑ Connection cable with 2 plug connectors M12, 5-pin, 20m



**100182** C-M12F05-05X034PV20,0-M12M05-100182

☑ Features

- › M12 female plug to M12 plug connector, 5-pin
- › Straight female plug and plug connector
- › PVC cable
- › Cable length 20 m

## Instructions

☑ Betriebsanleitung Seilzugschalter RPS...

	Doc. no.	Version	Language	Download
Betriebsanleitung Seilzugschalter RPS...	2090276	08-01/18		2.7 MB
Operating Instructions for Rope Pull Switches RPS...	2090276	08-01/18		2.7 MB

## Declaration of conformity

☑ EU-Konformitätserklärung

	Doc. no.	Version	Language	Download
EU-Konformitätserklärung	2091952	03-04/17		0.2 MB
Declaración UE de conformidad				
Déclaration UE de conformité				
Dichiarazione di conformità				
EU declaration of conformity				