

**ITEM 105798 KCA1E1E1E1E0000DWP189**

Description	Technical data	Accessories	Downloads
-------------	----------------	-------------	-----------



**Features**

- › Tab connector 2.8 x 0.5
- › 4 actuating directions
- › Bellows for panel mounting (W)
- › Bellows for surface mounting (X)

**Approvals**



**Mechanical values and environment**

Material	
	Housing thermoplastic/aluminum
	Switching lever galvanized steel
	Bellows elastomer black <sup>[1]</sup>

Weight	Net	0,75 kg
Ambient temperature	Button	-5 ... 65 °C
	Switch	-25 ... 65 °C
Degree of protection		IP65 on the front with bellows [2]
Mechanical life		min.1 x 10 <sup>6</sup>
Contact material		Silver alloy
Switching principle		changeover contact C IEC 947-5-1 [3]
Mounting method		Panel cut-out depending on version X or W [4]
Number of monitoring contacts		4max.4 [5]
Connection		Tab connector 2.8 x 0.5 IEC 760
Actuating directions		Max. 3 positions (0-1-2) possible per type and directionmax.4
		<b>Pushbutton in handle</b>
Switching principle		1 contact (4x)
Mechanical life	(at 0.7A / 250V AC)	0,05 x 10 <sup>6</sup>

### Electrical connection ratings

Utilization category according to EN 60947-5-1	AC-15	230V 4A
	DC-13	24V 2A
Short circuit protection according to IEC 60269-1		Slow-blow T6 / quick-blow F10
Rated insulation voltage U <sub>i</sub>		250 V
Rated impulse withstand voltage U <sub>imp</sub>		2,5 kV
Switching voltage		min.10 V
Switching current	(at 24V)	min.12 mA
		<b>Pushbutton in handle</b>
Switching voltage		min.10 V
Switching current	(at 24V)	min.12 mA
Utilization category according to EN 60947-5-1	DC-13	24 V 0.1 A

### Miscellaneous

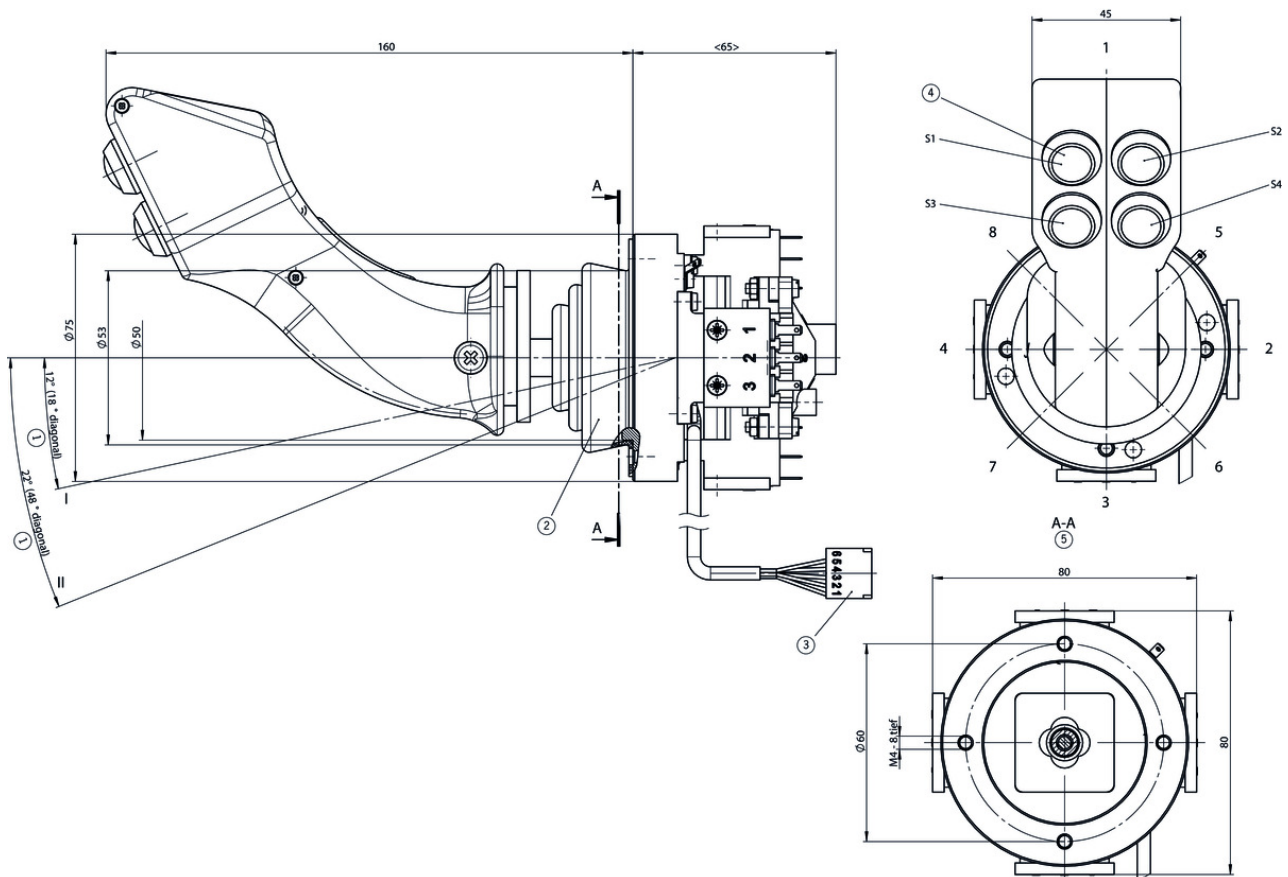
Additional feature	
	Pushbutton in handle

P number

P189 [6]

- [1] PAK arm
- [2] Version W
- [3] Snap-action contact element, design ES556
- [4] See drawing panel cut-out
- [5] 4 directions x 1 switching element
- [6] Universal handle with 4 red pushbuttons, cable 5x0.14 mm<sup>2</sup>, 500 mm long with plug connector DUBOX socket, 6-pin

### Dimension drawing



### Legende

- 1 Diagonal
- 2 Bellows: "W" for flush mounting; "X" for surface mounting
- 3 Connector housing DUBOX, 6-pin
- 4 Pushbutton red
- 5 Shown without bellows

Connection diagram

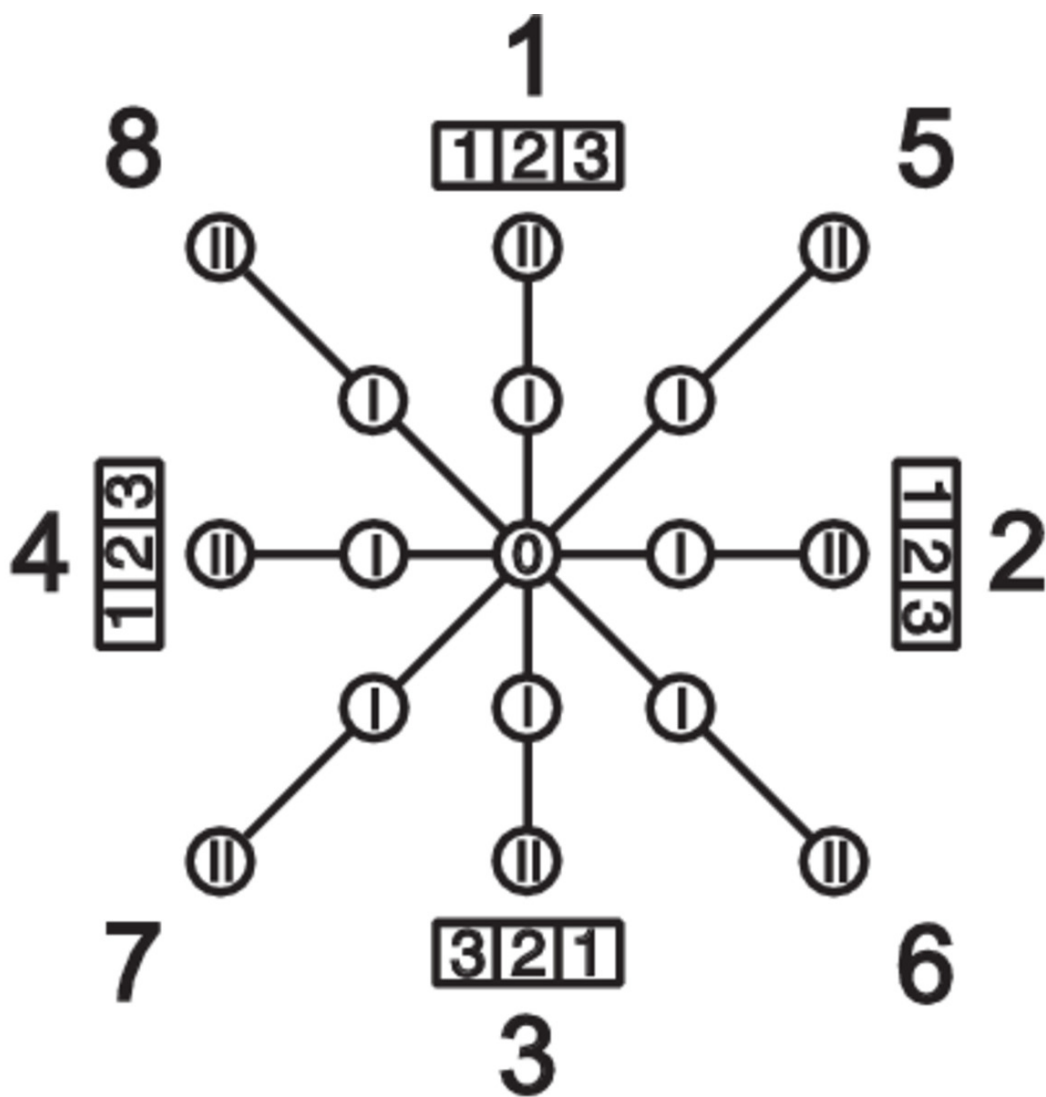
ES 587

1 C

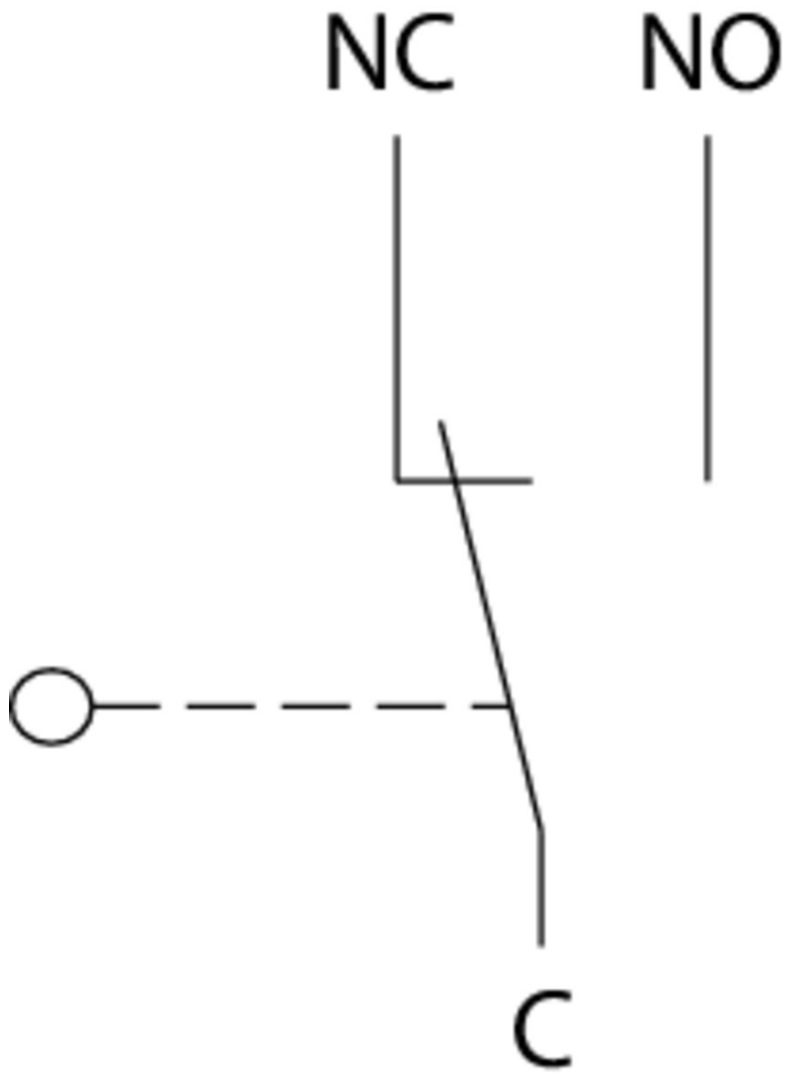
4 NO

2 NC

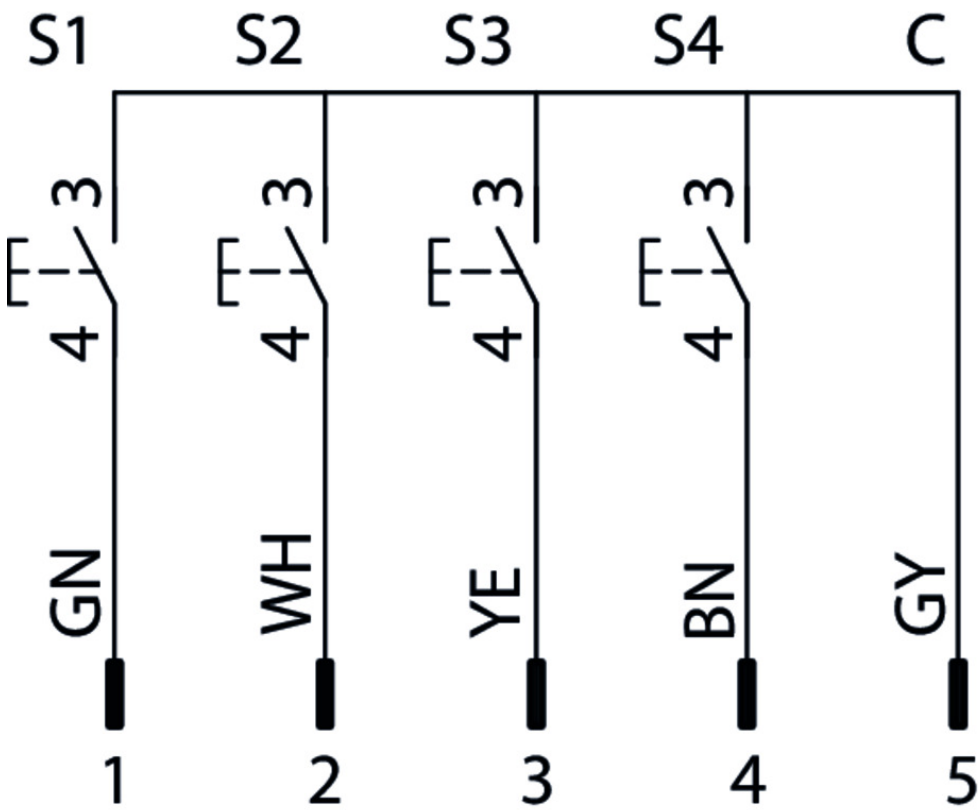
Actuating directions



**Wiring diagram**



**Connection diagram**

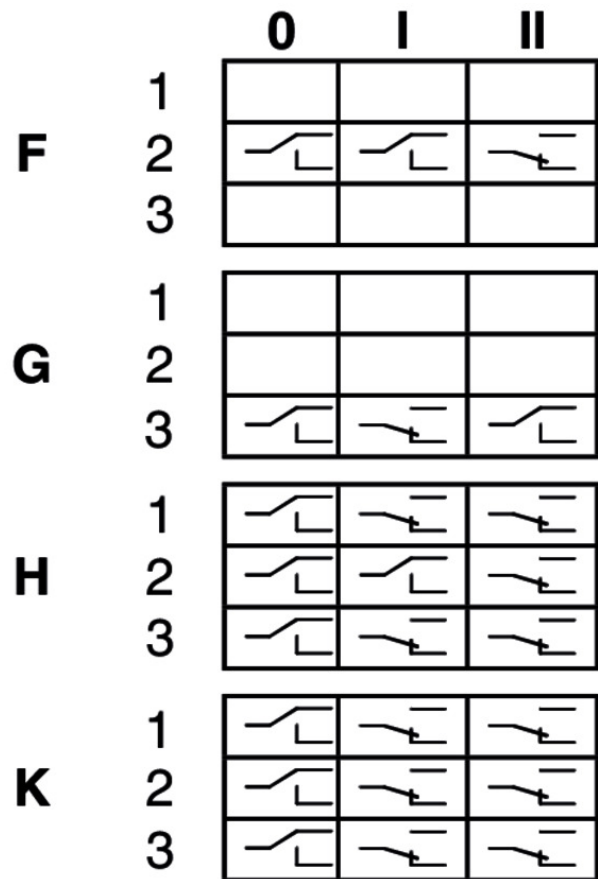
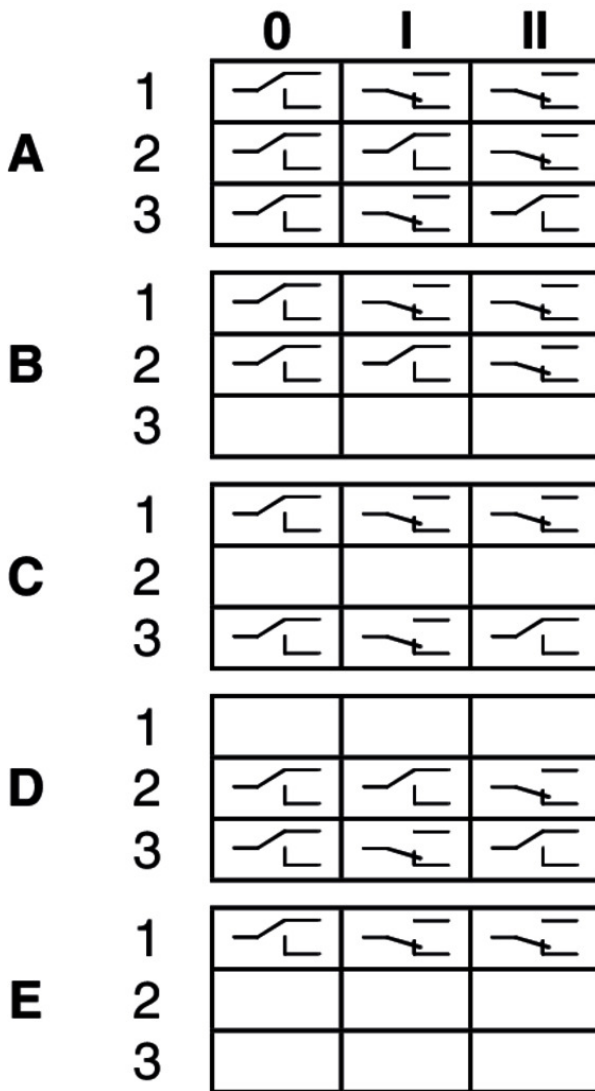


①

**Legende**

1 Cable: 5 x 0.14 mm<sup>2</sup>; cable length: 500mm

## Switching functions



## Declaration of conformity

EU-Konformitätserklärung

	Doc. no.	Version	Language	Download
EU-Konformitätserklärung Declaración UE de conformidad Déclaration UE de conformité Dichiarazione di conformità EU declaration of conformity	2108566	05-03/17	    	0.2 MB