

ITEM 123592 CKS-K-AS2A-U-C20-PC-123592

Description	Technical data	Accessories	Downloads
-------------	----------------	-------------	-----------



Features

- › Key adapter with integrated CES read head
- › Integrated diagnostic LEDs
- › Category 4/PL e according to EN ISO 13849-1
- › Simple connection via AS-i
- › High degree of protection IP 67

Important: Keys must be ordered separately!

Approvals



Mechanical values and environment

Dimensions	40 x 75 x 32
Housing material	PA6-GF30 black
Weight	

	Net	0,13 kg
Ambient temperature		-10 ... +65 °C
Degree of protection		IP67
Resilience to vibration		In acc. with EN IEC 60947-5-2
Installation position		On the front
Tightening torque		
	Fixing screws	0,25 ... 0,35 Nm
Connection		Screw terminal 2-pole

Electrical connection ratings

ASi voltage		19 ... 31,6 V
ASi operating current		max.50 mA
Rated insulation voltage U _i		300 V
Rated impulse withstand voltage U _{imp}		max.1,5 kV
Degree of contamination (external, according to EN 60947-1)		2
Switch-on time		
	Safety outputs	max.300 ms
ASi slave type		
According to ASI specification 3.0		EA code: 0
According to ASI specification 3.0		ID code: B
ASi data in		
According to As-i Safety at Work		D0 [1]
According to As-i Safety at Work		D1 [2]
According to As-i Safety at Work		D2 [3]
According to As-i Safety at Work		D3 [4]
Safety class		III
Risk time according to EN 60947-5-3		max.260 ms

Miscellaneous

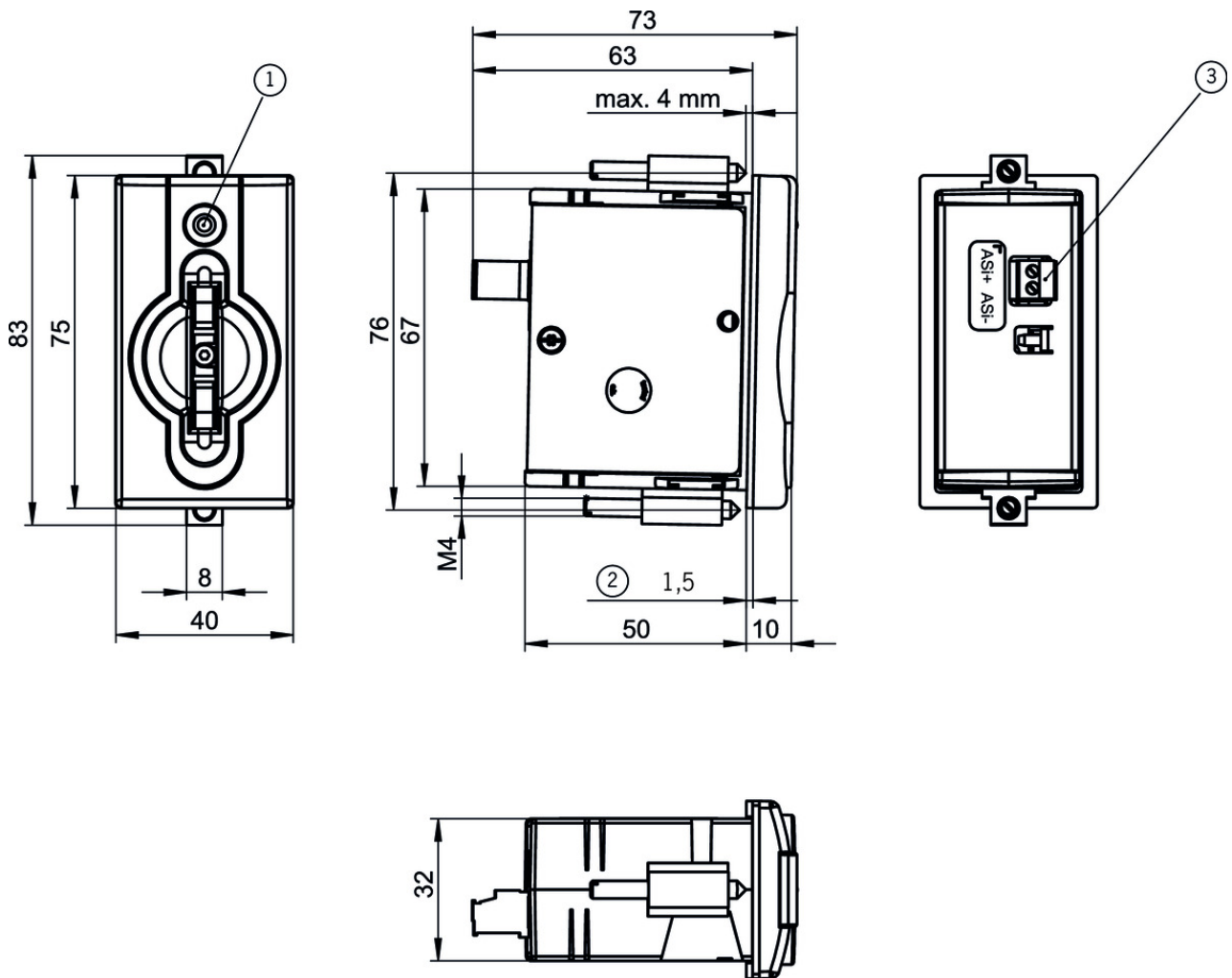
For the approval according to UL the following applies	Operation only with UL class 2 power supply, or equivalent measures
--	---

Reliability values acc. to EN ISO 13849-1

Performance Level	PL e
Category	4
PFH _D	4.5 x 10 ⁻⁹
Mission time	20

[1, 2, 3, 4] Influenced by key

Dimension drawing



Legende

- 1 LED
- 2 Rubber seal
- 3 Plug-in screw terminal

Actuator

Key CKS, color red



113461 CKS-A-BK1-RD-113461

Instructions

Operating Instructions Key Adapter CKS-K-AS2A-U-C20-PC (Unicode)

	Doc. no.	Version	Language	Download
Betriebsanleitung Schlüsselaufnahme CKS-K-AS2A-U-C20-PC (Unicode)	123914	01-05/15		1.3 MB
Mode d'emploi Serrure CKS-K-AS2A-U-C20-PC (unicode)	123914	01-05/15		1.2 MB
Manual de instrucciones Módulo adaptador para la llave CKS-K-AS2A-U-C20-PC (Unicode)	123914	01-05/15		1.2 MB
Operating Instructions Key Adapter CKS-K-AS2A-U-C20-PC (Unicode)	123914	01-05/15		1.2 MB

Sicherheitsinformation und Wartung Schlüsselaufnahme CKS-K-AS2A

	Doc. no.	Version	Language	Download
Sicherheitsinformation und Wartung Schlüsselaufnahme CKS-K-AS2A Información de seguridad y mantenimiento Módulo adaptador para la llave CKS-K-AS2A Information de sécurité et entretien Serrure CKS-K-AS2A Safety Information and Maintenance Key Adapter CKS-K-AS2A	123913	01-05/15	 	0.2 MB

Catalogs

Jetzt neu mit integriertem AS-Interface - die Schlüsselaufnahme CKS

	Doc. no.	Version	Language	Download
Jetzt neu mit integriertem AS-Interface - die Schlüsselaufnahme CKS Now with integrated AS-Interface - key adapter CKS	126117	01-09/15	 	0.3 MB

Sicherheitsschalter mit AS-Interface Safety Switches with AS-Interface Interrupteurs de sécurité avec AS-Interface

	Doc. no.	Version	Language	Download
Sicherheitsschalter mit AS-Interface	092164	11-04/17		2.3 MB
Interrupteurs de sécurité avec AS-Interface	112564	11-04/17		2.3 MB
Safety Switches with AS-Interface	092332	11-04/17		2.3 MB

Declaration of conformity

EU-Konformitätserklärung

	Doc. no.	Version	Language	Download
EU-Konformitätserklärung Declaración UE de conformidad Déclaration UE de conformité Dichiarazione di conformità EU declaration of conformity	2137351	02-01/17	 	0.3 MB