

**ITEM 128059 NZ2PS-511SEM5C2376**

Description	Technical data	Accessories	Downloads
-------------	----------------	-------------	-----------



**Features**

- › Direct connection to decentralized peripheral systems (e.g. ET200pro)
- › Steel roller  $\varnothing$  18 mm
- › Plug connector SEM5

**Approach direction**



› Figure  
Horizontal

**Switching direction**

- › Right, left or both sides

**Lever arm adjustment**

Lever arm length can be adjusted from 28 mm to 78 mm in steps of 12.5 mm.

## Switching element

**511** Snap-action switching contact 1 NC $\ominus$  + 1 NO

## Approvals



## Mechanical values and environment

Housing material	Anodized die-cast alloy
Weight	Net 0,3 kg
Ambient temperature	-25 ... 80 °C
Degree of protection	IP67
Mechanical life	30 x 10 <sup>6</sup>
Contact material	Silver alloy, gold flashed
Switching principle	Snap-action switching contact
Installation position	Any
Number of door position positively driven contacts	1
Number of NO contacts	1
Connection	1 x Plug connector M12 [1]
Approach speed	max. 0,5 ... 30 m/min
Actuating element	Plain bearing metal Lever arm [2]
Actuating force	min.15 N

## Electrical connection ratings

Rated thermal current $I_{th}$	4 A
Utilization category according to EN 60947-5-1	AC-15 4A 30V DC-13 4A 24V
Short circuit protection according to IEC 60269-1	(Fuse) 4A gG
Rated insulation voltage $U_i$	50 V
Rated impulse withstand voltage $U_{imp}$	1,5 kV
Switching current	

Min. at DC 24V	10 mA
----------------	-------

## Miscellaneous

Additional feature	Housing without earth conductor! All the electrical connections must either be isolated from the mains supply by a safety transformer according IEC 61558-2-6 with limited output voltage in the event of a fault, or by other equivalent isolation measures.
C number	C2376 [3]

## Reliability values acc. to EN ISO 13849-1

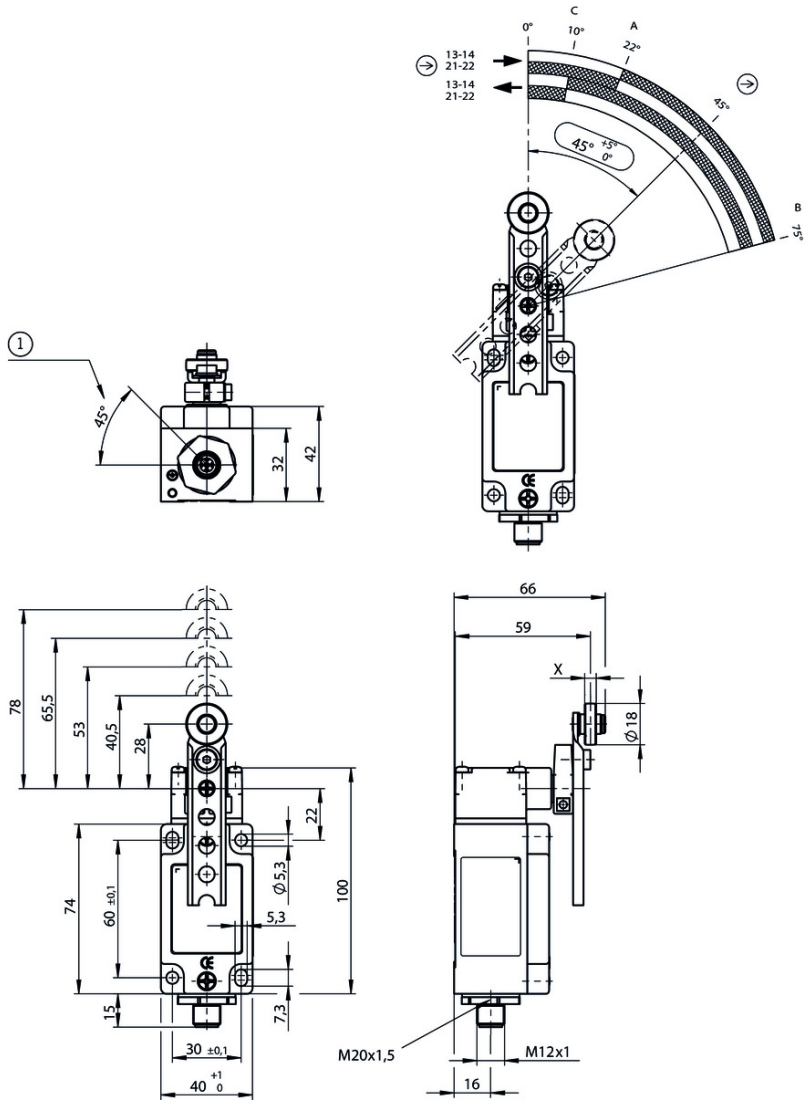
	Monitoring of the safety guard position
B10 <sub>D</sub>	20 x 10 <sup>6</sup>

[1] 5-pin

[2] d roller = 18 mm length 28 mm - 78 mm

[3] Position switch with plug connector SEM5, pin 5 not leading. Connection to ET200pro NO + NC

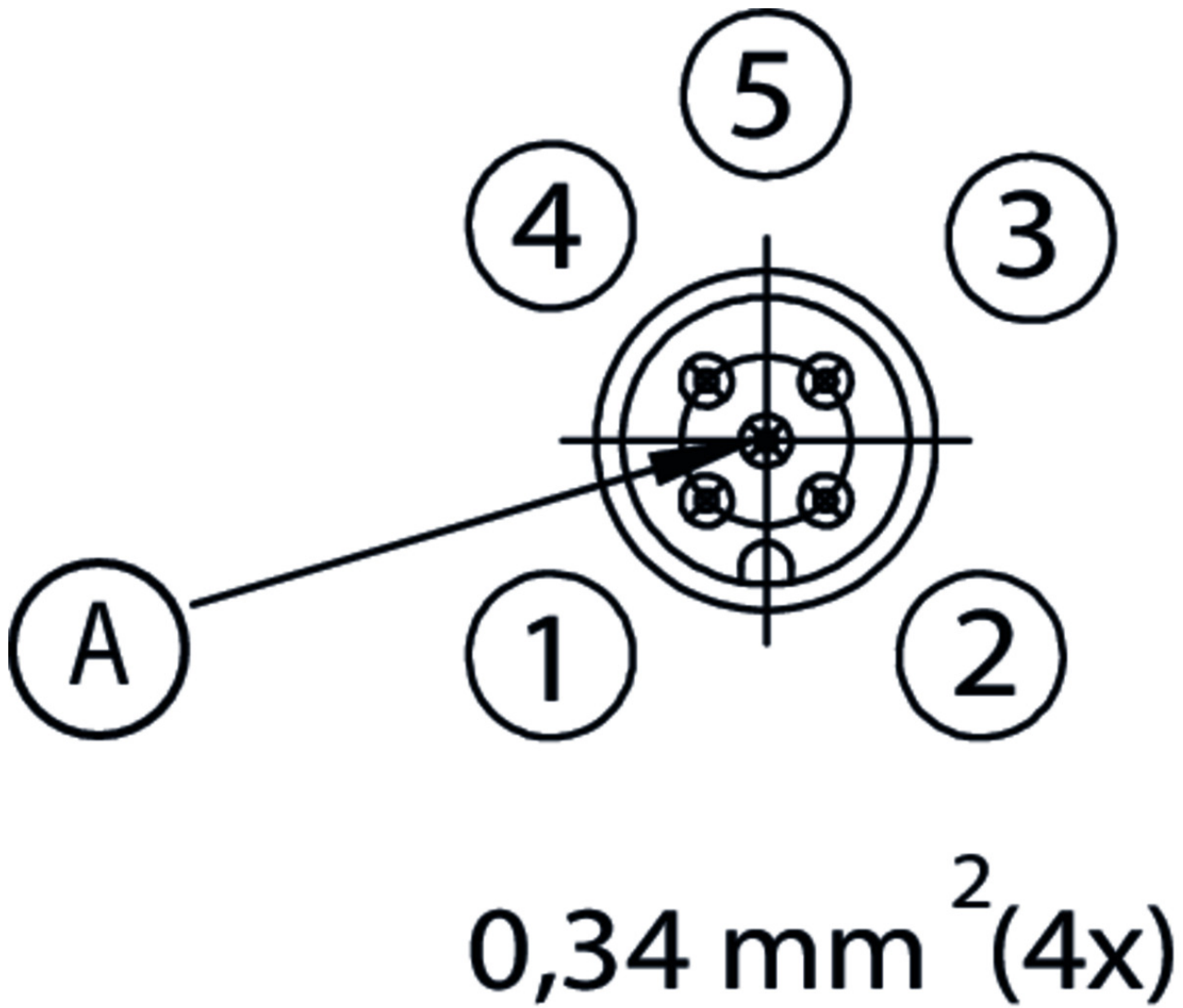
# Dimension drawing



## Legende

1 Guide lug aligned

## Wiring diagram



### Legende

A Not leading

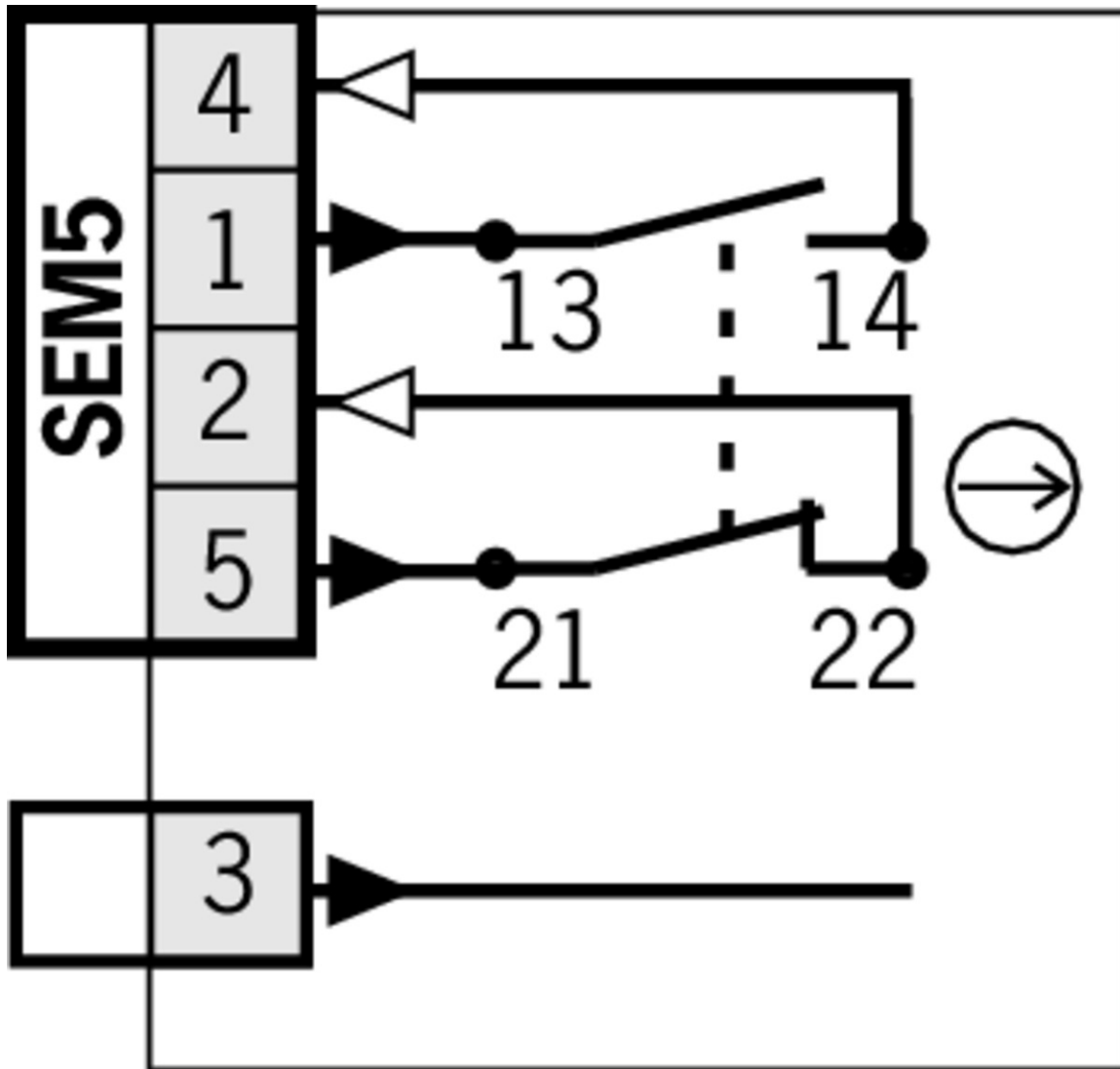
1 BN

2 WH

3 -

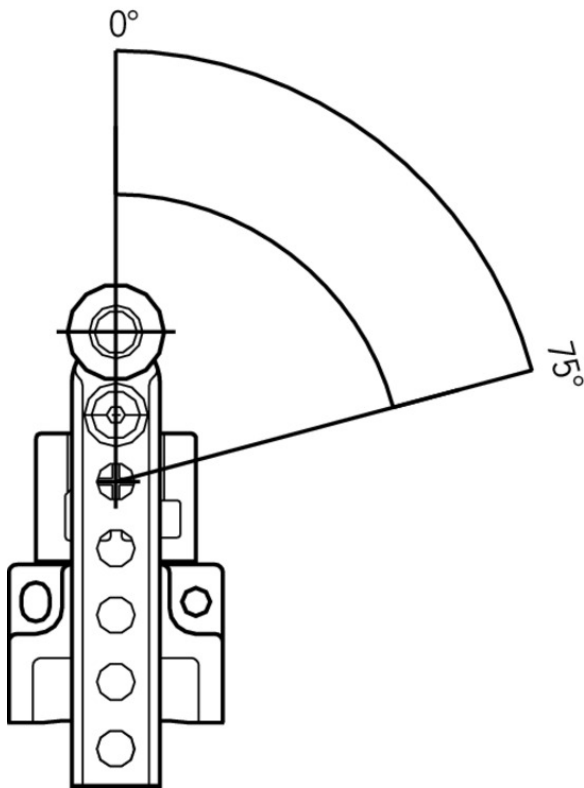
4 BK

5 GY

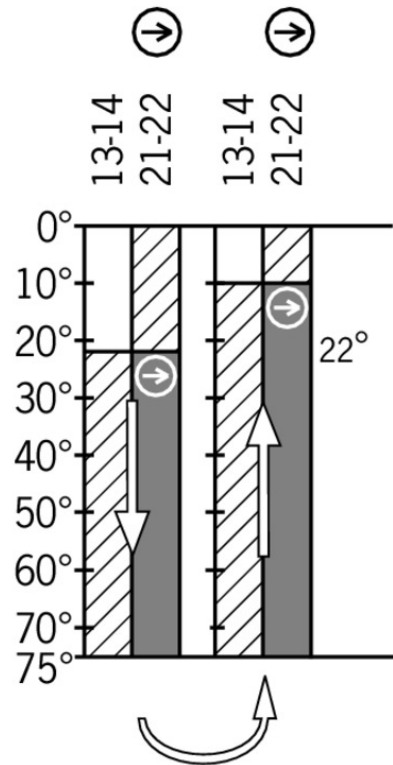


## Travel diagram




**NZ...PS**  
**NZ...PB**



**511**



## Legende

-  Contacts closed
-  Contacts open
-  Contacts positively driven

## Connection material

-  Connection cable with straight plug connector M12, 5-pin, 5m



**073461** C-M12F05-05X050PU05,0-GA-073461

### Features

- › M12 female plug, 4-pin + PE
- › Straight plug connector
- › PUR cable
- › Halogen-free
- › Cable length 5 m
- › With flying lead
- › Cores color-coded

- Connection cable with angled plug connector M12, 5-pin, 5m



**073462** C-M12F05-05X050PU05,0-GA-073462

**Features**

- M12 female plug, 4-pin + PE
- Angled plug connector
- PUR cable
- Halogen-free
- Cable length 5 m
- With flying lead
- Cores color-coded

## Instructions

- Betriebsanleitung Sicherheitsschalter NZ.H/P

	Doc. no.	Version	Language	Download
Betriebsanleitung Sicherheitsschalter NZ.H/P Manual de instrucciones Interruptores de seguridad NZ.H/P Mode d'emploi Interrupteur de sécurité NZ.H/P Istruzioni di impiego Finecorsa di sicurezza NZ.H/P Operating Instructions Safety Switch NZ.H/P	074550	11-12/16	    	2.1 MB
Instrukcja obsługi Wyłącznik bezpieczeństwa NZ.H/P	074550	11-12/16		0.5 MB
Инструкция по эксплуатации Предохранительный выключатель NZ.H/P	074550	11-12/16		0.6 MB
Návod na prevádzku Bezpečnostný spínač NZ.H/P	074550	11-12/16		0.5 MB

## Catalogs

- Sicherheitsschalter mit Metallgehäuse Safety Switches with Metal Housing Bezpečnostní spínače s kovovým pouzdrém Interrupteurs de sécurité avec boîtier métallique 金属壳体 的安全开关 Interruptores de seguridad con carcasa metálica

	Doc. no.	Version	Language	Download
Sicherheitsschalter mit Metallgehäuse	100319	11-03/18		7.9 MB
Interrupteurs de sécurité avec boîtier métallique	100676	11-03/18		7.9 MB
Interruptores de seguridad con carcasa metálica	104856	11-03/18		14.0 MB
Safety Switches with Metal Housing	100369	11-03/18		7.9 MB
Bezpečnostní spínače s kovovým pouzdrém	121650	11-03/18		7.9 MB
金属壳体 的安全开关	102453	11-03/18		8.2 MB

## Declaration of conformity

- EU prohlášení o shodě

**Doc. no. Version Language Download**



EU-Konformitätserklärung	2077153	25-02/17		 0.3 MB
Declaración UE de conformidad				
Déclaration UE de conformité				
Dichiarazione di conformità				
EU declaration of conformity				
EU prohlášení o shodě	2077153	25-02/17		 0.5 MB
EU-overensstemmelseserklæring				
Δήλωση συμμόρφωσης της ΕΕ				
EU-vaatimustenmukaisuusvakuutus				
EU-típusbizonyítvány				
EU-conformiteitsverklaring				
Deklaracja zgodności UE				
Declaração de Conformidade UE				
Declarația de conformitate UE				
EÚ vyhlásenie o zhode				