

## ITEM 136864 NZ2PS-538SEM5C2334

| Description | Technical data | Accessories | Downloads |
|-------------|----------------|-------------|-----------|
|-------------|----------------|-------------|-----------|



### Features

- › Direct connection to decentralized peripheral systems (e.g. ET200pro)
- › Steel roller  $\varnothing$  18 mm
- › Plug connector SEM5

### Approach direction



› Figure  
Horizontal

### Switching direction

- › Right, left or both sides

### Lever arm adjustment

Lever arm length can be adjusted from 28 mm to 78 mm in steps of 12.5 mm.

## Switching element

**538H** Slow-action switching contact 2 NC $\ominus$

## Approvals



## Mechanical values and environment

|  |  |
|--|--|
| Housing material                                   | Anodized die-cast alloy                      |
| Weight   | Net 0,3 kg                                   |
| Ambient temperature                                | -25 ... 80 °C                                |
| Degree of protection                               | IP67   |
| Mechanical life                                    | 30 x 10 <sup>6</sup>                         |
| Contact material                                   | Silver alloy, gold flashed                   |
| Switching principle                                | Slow-action switching contact                |
| Installation position                              | Any  |
| Number of door position positively driven contacts | 2  |
| Connection   | 1 x Plug connector M12 [1]                   |
| Approach speed                                     | max. 0,5 ... 30 m/min                        |
| Actuating element                                  | Plain bearing metal Lever arm adjustable [2] |
| Actuating force                                    | min.15 N                                     |

## Electrical connection ratings

|   |                              |
|---|------------------------------|
| Rated thermal current $I_{th}$                    | 4 A                          |
| Utilization category according to EN 60947-5-1    | AC-15 4A 30V<br>DC-13 4A 24V |
| Short circuit protection according to IEC 60269-1 | (Fuse) 4A gG                 |
| Rated insulation voltage $U_i$                    | 50 V                         |
| Rated impulse withstand voltage $U_{imp}$         | 1,5 kV                       |
| Switching current                                 | Min. at DC 24V 1 mA          |

## Miscellaneous

|                    |   |
|--------------------|---|
| Additional feature | Housing without earth conductor! All the electrical connections must either be isolated from the mains supply by a safety transformer according IEC 61558-2-6 with limited output voltage in the event of a fault, or by other equivalent isolation measures. |
| C number           | With connection for ET200 pro-modules, i.e. earth conductor not fitted, pin 1-4 first pos. driven NC contact, pin 2-5 second pos. driven NC contact   |

## Reliability values acc. to EN ISO 13849-1

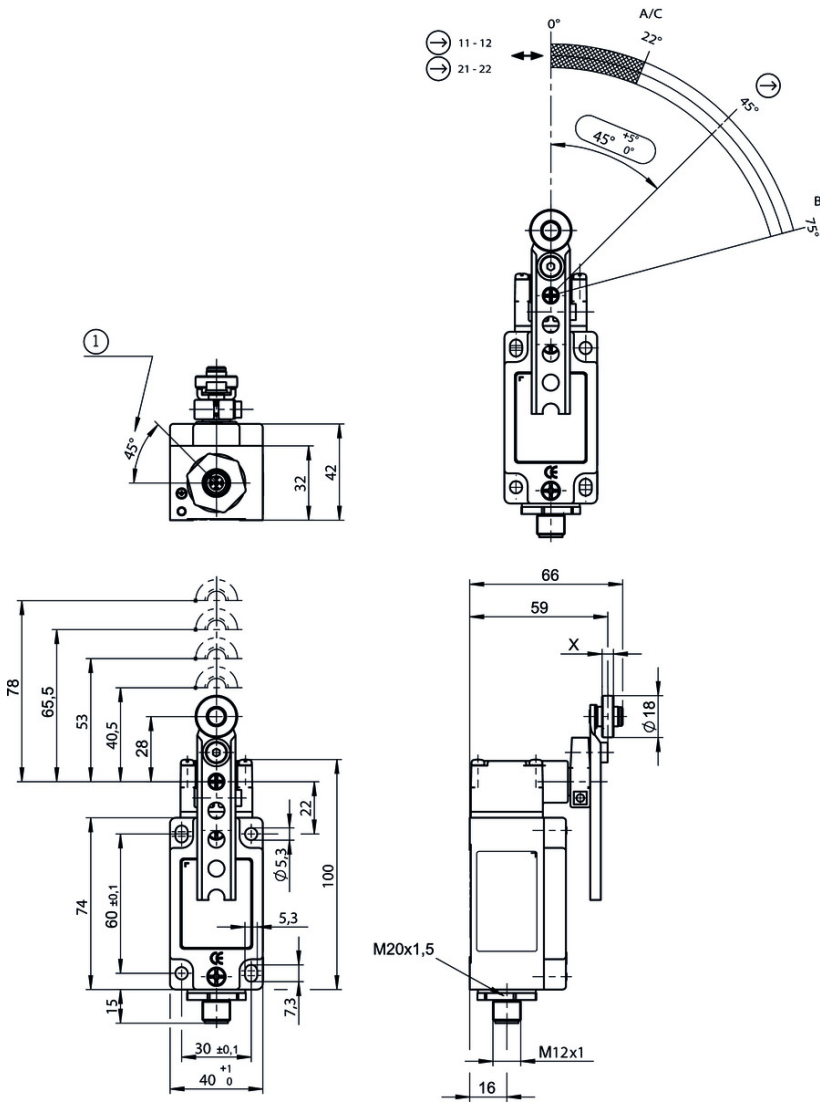
|      | Monitoring of the safety guard position |
|------|---|
| B10D | $20 \times 10^6$                        |

---

[1] Position switch with plug connector SEM5, pin 5 not leading

[2] d roller = 18 mm length 28 - 78 mm

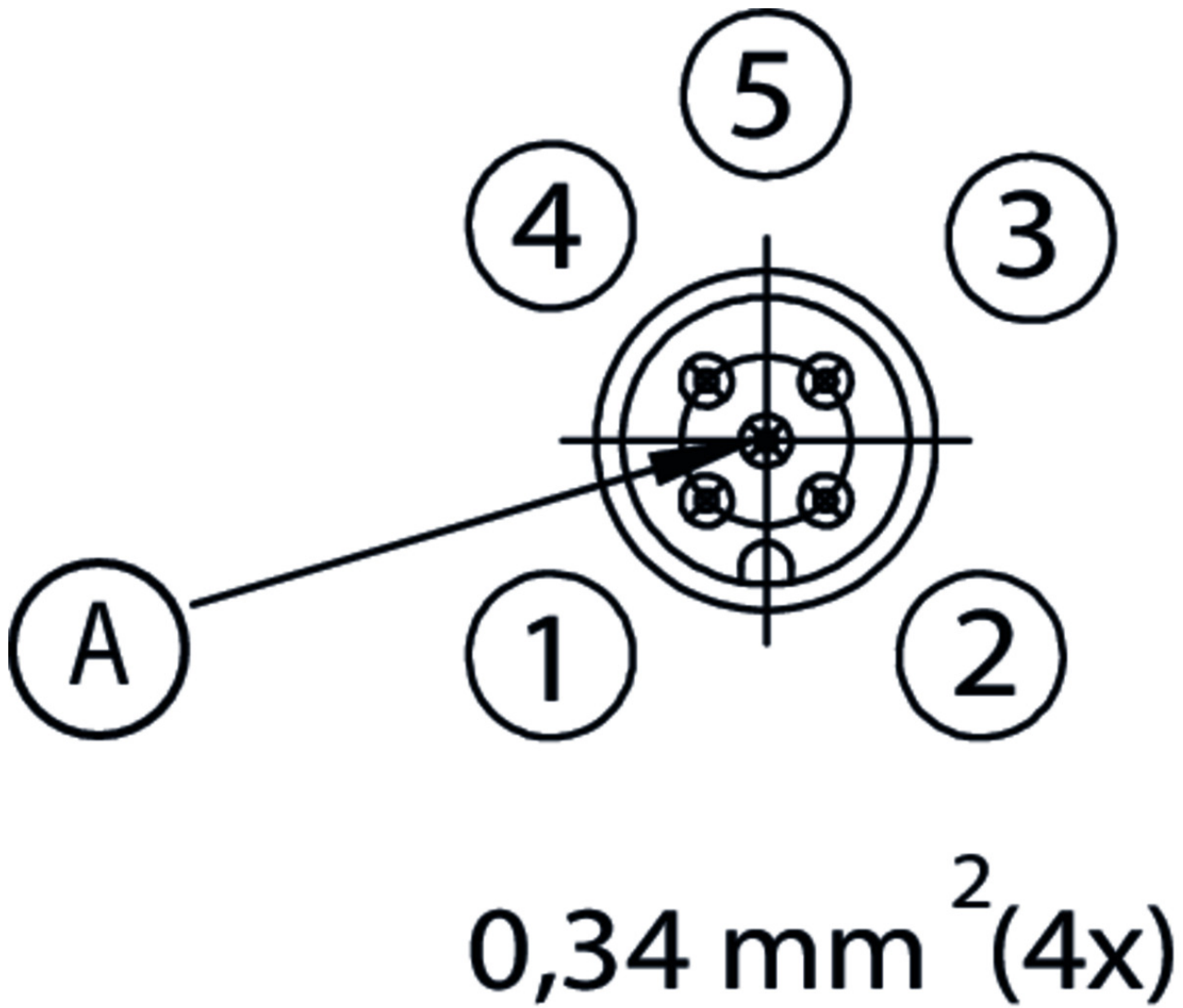
# Dimension drawing



## Legende

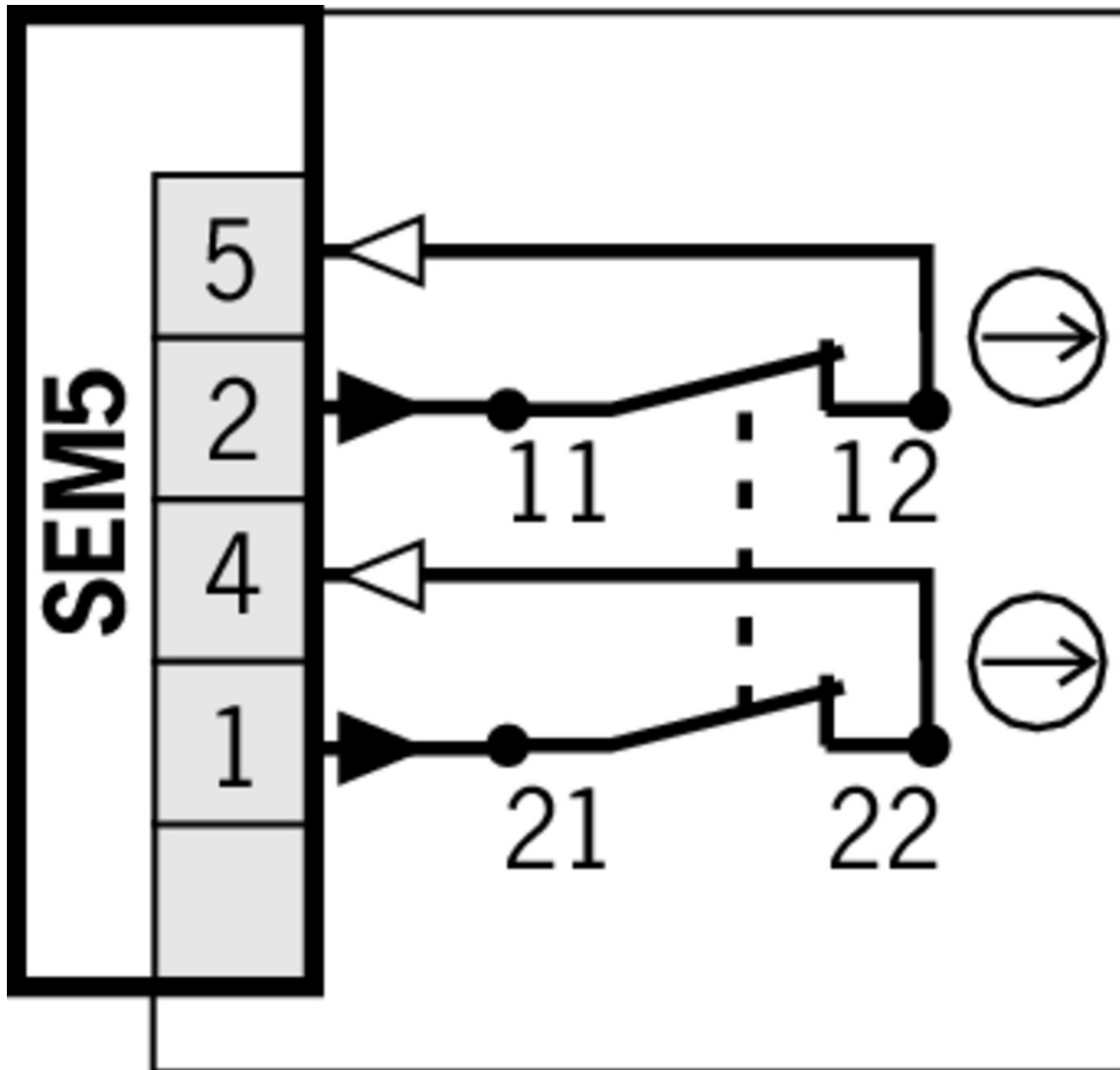
1 Guide lug aligned

## Wiring diagram



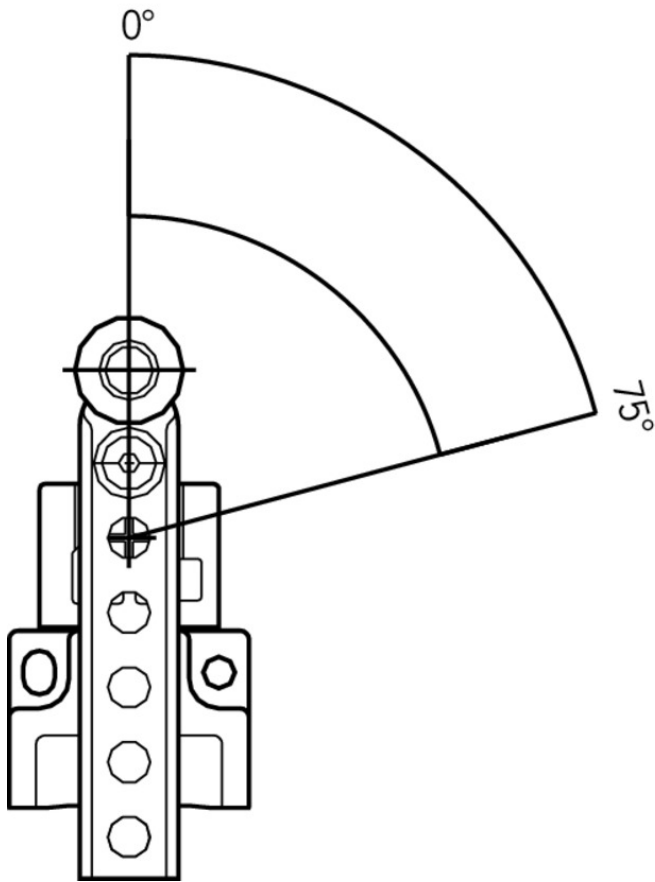
### Legende

- A Not leading
- 1 BN
- 2 WH
- 3 -
- 4 BK
- 5 GY



## Travel diagram

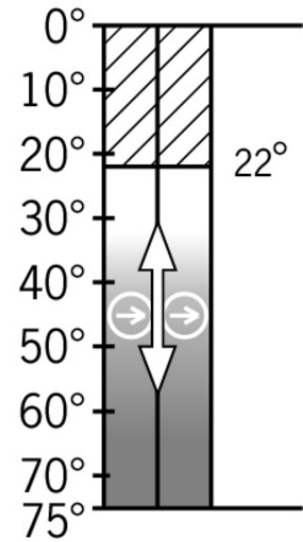
**NZ...PS**  
**NZ...PB**






**538H**




11-12  
21-22



## Legende

-  Contacts closed
-  Contacts open
-  Contacts positively driven

## Connection material

-  Connection cable with straight plug connector M12, 5-pin, 5m



**073461** C-M12F05-05X050PU05,0-GA-073461

### Features

- › M12 female plug, 4-pin + PE
- › Straight plug connector
- › PUR cable
- › Halogen-free
- › Cable length 5 m
- › With flying lead

› Cores color-coded

✓ Connection cable with angled plug connector M12, 5-pin, 5m



**073462** C-M12F05-05X050PU05,0-GA-073462

✓ Features

- › M12 female plug, 4-pin + PE
- › Angled plug connector
- › PUR cable
- › Halogen-free
- › Cable length 5 m
- › With flying lead
- › Cores color-coded

## Instructions

✓ Betriebsanleitung Sicherheitsschalter NZ.H/P

|  | Doc. no. | Version  | Language         | Download |
|--|----------|----------|------------------|----------|
| Betriebsanleitung Sicherheitsschalter NZ.H/P<br>Manual de instrucciones Interruptores de seguridad NZ.H/P<br>Mode d'emploi Interrupteur de sécurité NZ.H/P<br>Istruzioni di impiego Finecorsa di sicurezza NZ.H/P<br>Operating Instructions Safety Switch NZ.H/P | 074550   | 11-12/16 | <br><br><br><br> | 2.1 MB   |
| Instrukcja obsługi Wyłącznik bezpieczeństwa NZ.H/P   | 074550   | 11-12/16 |                  | 0.5 MB   |
| Инструкция по эксплуатации<br>Предохранительный выключатель NZ.H/P   | 074550   | 11-12/16 |                  | 0.6 MB   |
| Návod na prevádzku Bezpečnostný spínač NZ.H/P  | 074550   | 11-12/16 |                  | 0.5 MB   |

## Catalogs

✓ Sicherheitsschalter mit Metallgehäuse Safety Switches with Metal Housing Bezpečnostní spínače s kovovým pouzdem Interrupteurs de sécurité avec boîtier métallique 金属壳体 的安全开关 Interruptores de seguridad con carcasa metálica

|   | Doc. no. | Version  | Language | Download |
|---|----------|----------|----------|----------|
| Sicherheitsschalter mit Metallgehäuse             | 100319   | 11-03/18 |          | 7.9 MB   |
| Interrupteurs de sécurité avec boîtier métallique | 100676   | 11-03/18 |          | 7.9 MB   |
| Interruptores de seguridad con carcasa metálica   | 104856   | 11-03/18 |          | 14.0 MB  |
| Safety Switches with Metal Housing                | 100369   | 11-03/18 |          | 7.9 MB   |
| Bezpečnostní spínače s kovovým pouzdem            | 121650   | 11-03/18 |          | 7.9 MB   |
| 金属壳体 的安全开关  | 102453   | 11-03/18 |          | 8.2 MB   |

## Declaration of conformity



▼ EU prohlášení o shodě

|  | Doc. no. | Version  | Language  | Download   |
|--|----------|----------|---|--|
| EU-Konformitätserklärung<br>Declaración UE de conformidad<br>Déclaration UE de conformité<br>Dichiarazione di conformità<br>EU declaration of conformity   | 2077153  | 25-02/17 | <br><br><br><br>   |  0.3 MB |
| EU prohlášení o shodě<br>EU-overensstemmelseserklæring<br>Δήλωση συμμόρφωσης της ΕΕ<br>EU-vaatimustenmukaisuusvakuutus<br>EU-típusbizonyítvány<br>EU-conformiteitsverklaring<br>Deklaracja zgodności UE<br>Declaração de Conformidade UE<br>Declarația de conformitate UE<br>EÚ vyhlásenie o zhode | 2077153  | 25-02/17 | <br><br><br><br><br><br><br><br> |  0.5 MB |