

## ITEM 116118 EKS-A-SFH-G30-ST150

Description	Technical data	Accessories	Downloads
-------------	----------------	-------------	-----------



### Features

- › Small design for installations where there is little space
- › Installation in standard assembly hole Ø 22.5 mm
- › Closed design, rounded contours for hygienic areas
- › Plastic with high resistance to media
- › IP 69K
- › Cable 0.13 m with M8 male plug

### Approvals



### Mechanical values and environment

Housing material	PVDF GF30 gray
Ambient temperature	-20 ... 100 °C [1]

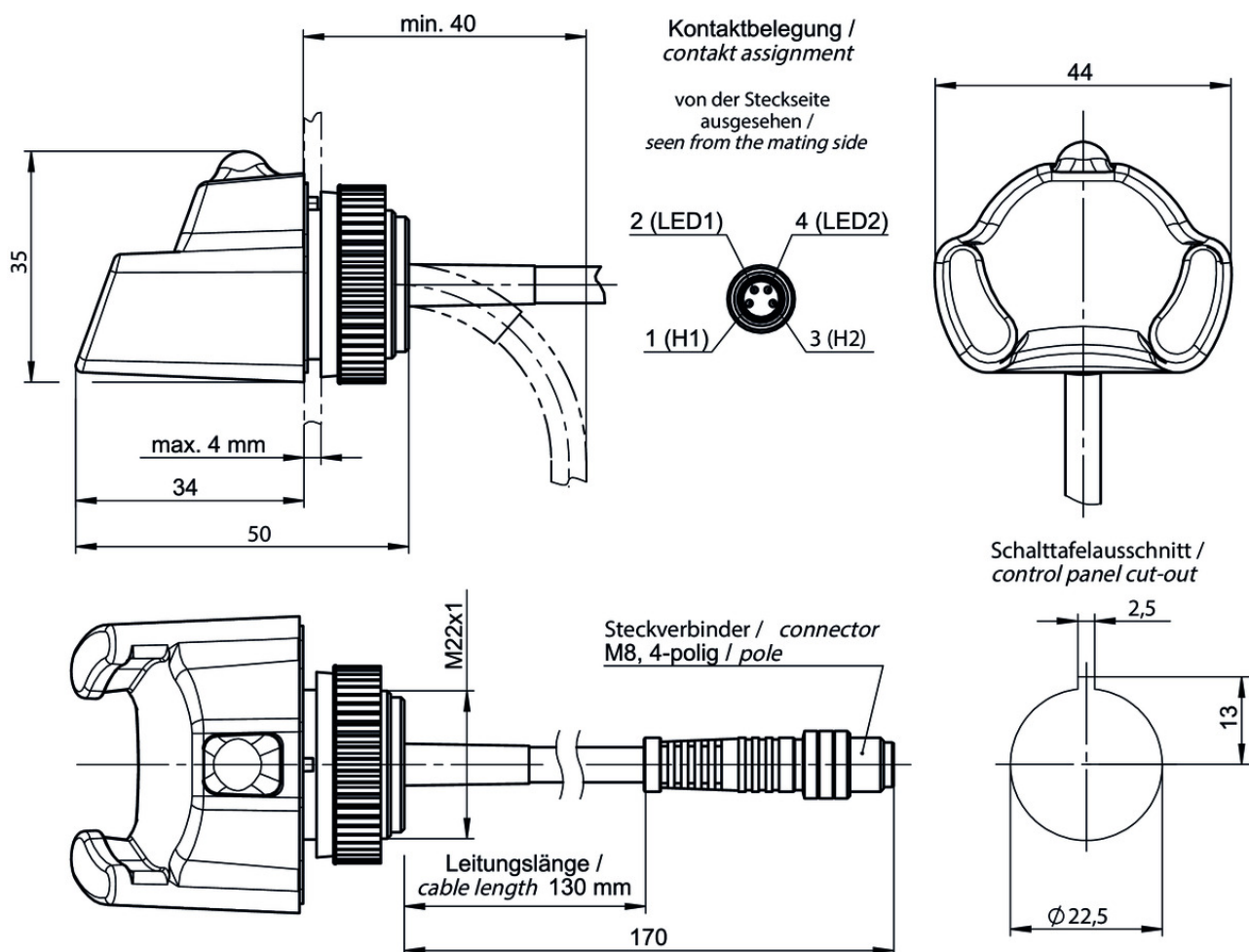
	-20 ... 70 °C
Degree of protection	IP65,IP67,IP69K in installed state (only access side)
Mounting method	22,5 Assembly hole in mm
Installation position	On the front
Connection	Connection cable 150 mm 4 x 0.25 mm <sup>2</sup> screened, with plug connector M8, 4-pin
Cable length	With extension cable max.15 m

### Electrical connection ratings

LED indicator	Green	Electronic-Key adapter ready
	Yellow	Key in operating distance
	Red	Fault

[1] This is no ambient temperature for operation. It is valid for a time of no more than 3 minutes, e.g. for cleaning purposes

### Dimension drawing



## Electronic-Key

---

### ▼ Electronic-Key read/write



**077859** EKS-A-K1RDWT32-EU

#### ▼ Features

- › Memory 116 bytes E<sup>2</sup>PROM (programmable) plus 8 bytes ROM (serial number)



**084735** EKS-A-K1BKWT32-EU

#### ▼ Features

- › Memory 116 bytes E<sup>2</sup>PROM (programmable) plus 8 bytes ROM (serial number)



**091045** EKS-A-K1BUWT32-EU

#### ▼ Features

- › Memory 116 bytes E<sup>2</sup>PROM (programmable) plus 8 bytes ROM (serial number)



**094839** EKS-A-K1GNWT32-EU

#### ▼ Features

- › Memory 116 bytes E<sup>2</sup>PROM (programmable) plus 8 bytes ROM (serial number)



**094840** EKS-A-K1YEWT32-EU

#### ▼ Features

- › Memory 116 bytes E<sup>2</sup>PROM (programmable) plus 8 bytes ROM (serial number)



**123098** EKS-A-K1OGWT32-EU

#### ▼ Features

- › Memory 116 bytes E<sup>2</sup>PROM (programmable) plus 8 bytes ROM (serial number)



**123097** EKS-A-K1WHWT32-EU

#### ▼ Features

- › Memory 116 bytes E<sup>2</sup>PROM (programmable) plus 8 bytes ROM (serial number)

## Connection material

---

### ▼ Connection cable with plug connector M8, 4-pin, 2m



**084641** C-M08F04-04X025PV02,0-ES-084641

#### ▼ Features

- › M8 female plug, 4-pin
- › Straight plug connector
- › PVC cable
- › Cable length 2 m

- › With flying lead
- › Knurled nut electrically connected to cable screen

▼ Connection cable with plug connector M8, 4-pin, 5m



**084642** C-M08F04-04X025PV05,0-ES-084642

▼ Features

- › M8 female plug, 4-pin
- › Straight plug connector
- › PVC cable
- › Cable length 5 m
- › With flying lead
- › Knurled nut electrically connected to cable screen

▼ Connection cable with plug connector M8, 4-pin, 10m



**084643** C-M08F04-04X025PV10,0-ES-084643

▼ Features

- › M8 female plug, 4-pin
- › Straight plug connector
- › PVC cable
- › Cable length 10 m
- › With flying lead
- › Knurled nut electrically connected to cable screen

▼ Connection cable with plug connector M8, 4-pin, 15m



**084644** C-M08F04-04X025PV15,0-ES-084644

▼ Features

- › M8 female plug, 4-pin
- › Straight plug connector
- › PVC cable
- › Cable length 15 m
- › With flying lead
- › Knurled nut electrically connected to cable screen

## Catalogs

▼ Electronic-Key-System EKS Electronic-Key-System EKS Electronic-Key-System EKS Electronic-Key-System EKS

	Doc. no.	Version	Language	Download
Electronic-Key-System EKS	086808	14-04/17		3.2 MB
Electronic-Key-System EKS	092953	14-04/17		3.2 MB
Electronic-Key-System EKS	114432	14-04/17		3.2 MB
Electronic-Key-System EKS	086809	14-04/17		3.2 MB