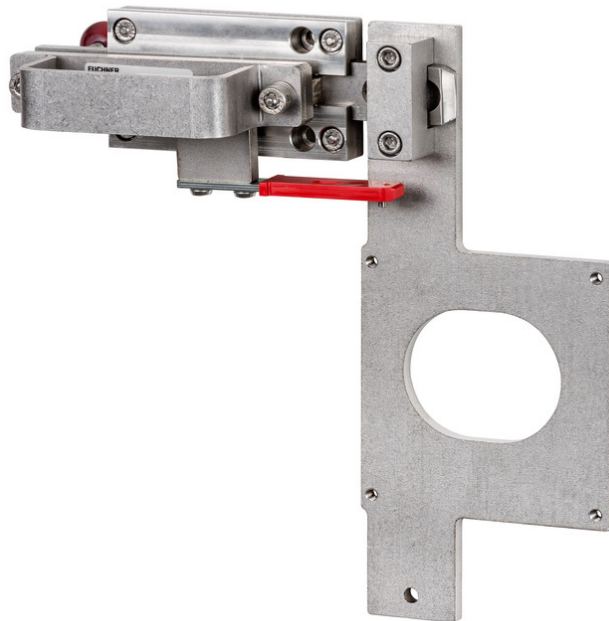


ITEM 121716 RIEGEL TZ-CF-NIRO-C2392

Description	Technical data	Accessories	Downloads
-------------	----------------	-------------	-----------



Features

- › Steel bolt
- › For doors hinged on the left
- › Escape release
- › Lever for escape release from the danger area
- › Detent knob in open position
- › Can be locked in open position with padlocks
- › Actuator and switch bracket included

Advantages

- › Robust construction
- › Easily fitted to standard aluminum profiles and machine covers by screw connection
- › Distinctive yellow color for easy recognition
- › No additional door handle necessary

Special features

- › Bolt with detent mechanism
- › The bolt latches in open position to prevent unintentional closing of the bolt.

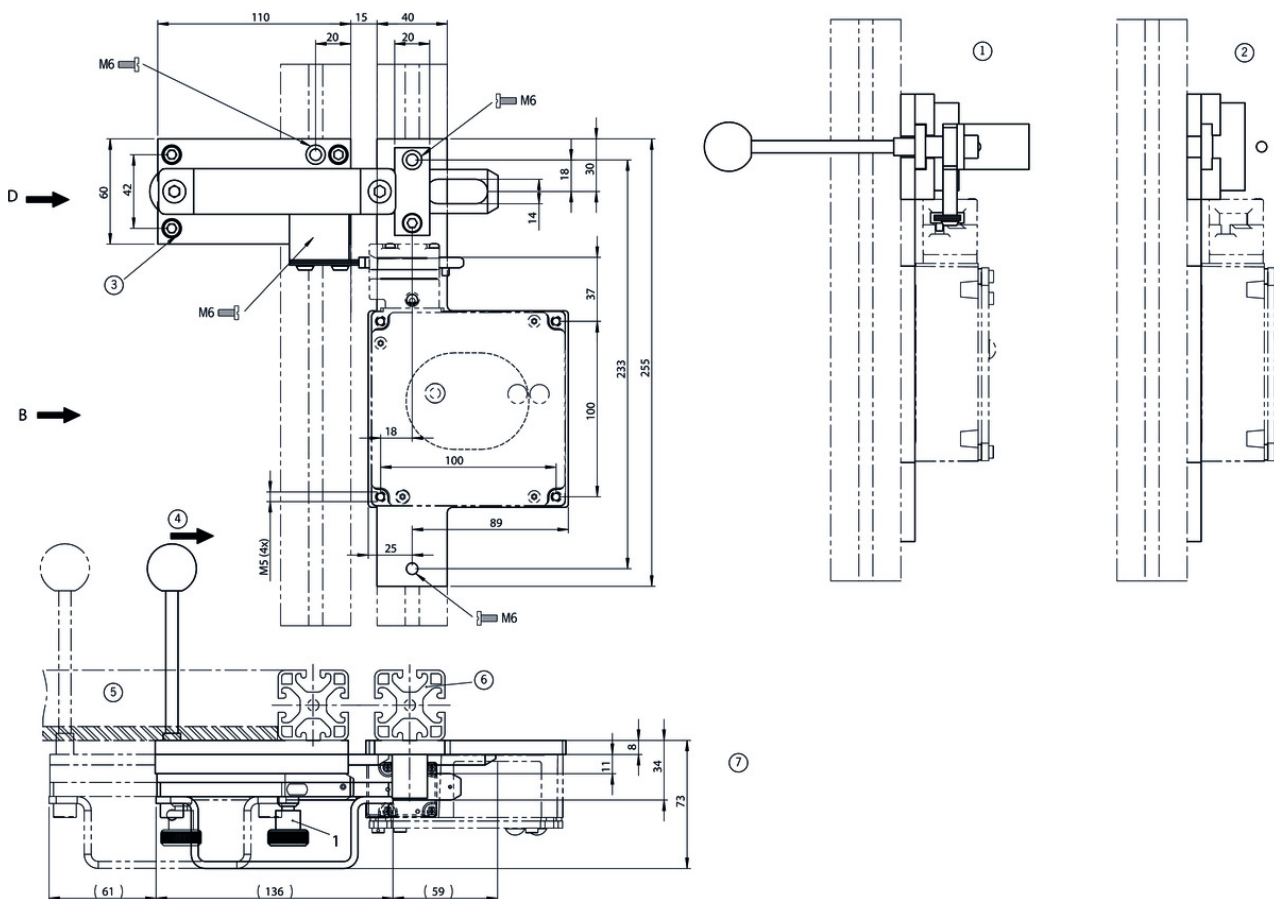
Mechanical values and environment

Material		
	Handle	Stainless steel
	Guide strips	Stainless steel
	Base plate	Stainless steel
	Switch bracket	Stainless steel
Weight		
	Net	2,25 kg
Escape release		Yes
Number of safety switches that can be fitted		1

Miscellaneous

Detent mechanism		
	Open position	Bolt detent mechanism

Dimension drawing



Legende

- 1 View D
- 2 View B
- 3 Stop screw locked
- 4 Safety switch TZ approach direction C
- 5 Door hinged on the left
- 6 Safety guard frame (40x40)
- 7 On the actuation of the escape release for the switch, the actuator must not be subjected to a tensile load (e.g. due to strain on the doors or pulling the lever on the bolt)
- 1) Bolt with detent mechanism. Engages in open position. (Prevents unintentional closing of the bolt) Unlocked by pulling the detent knob upward.