

**ITEM 045524 C-M12F05-05XDIFPV0,50-GA-045524**

Description	Technical data	Accessories	Downloads
-------------	----------------	-------------	-----------



**Features**

- › M12 female plug, 4-pin + PE
- › Straight plug connector
- › PVC cable
- › Halogen-free
- › Cable length 5 m
- › With flying lead
- › Cores color-coded

**Mechanical values and environment**

Sheath material	PVC
Drag chain suitability	No
Ambient temperature	
static	-25 ... +70 °C
Dynamic	+5 ... +70 °C
Number of conductors	5
Type of cable	straight
Cable length	5 m

Cable diameter	Approx.	6 mm
Conductor cross-section		4 x 0.34mm <sup>2</sup> + 1 x 0.50 mm <sup>2</sup>
Bending radius	static	5 x cable diameter
	Dynamic	10 x cable diameter
<b>Connection 1</b>		
Degree of protection		IP67 [1]
Plug lock material		CuZn
Connection		Plug connectors M12x1
Connection type		Socket
Cable outlet		straight
Number of pins		5
Plug lock		Screw connection
Plug housing material		TPU
<b>Connection 2</b>		
Conductor end		Trimmed smooth
Connection		Flying lead

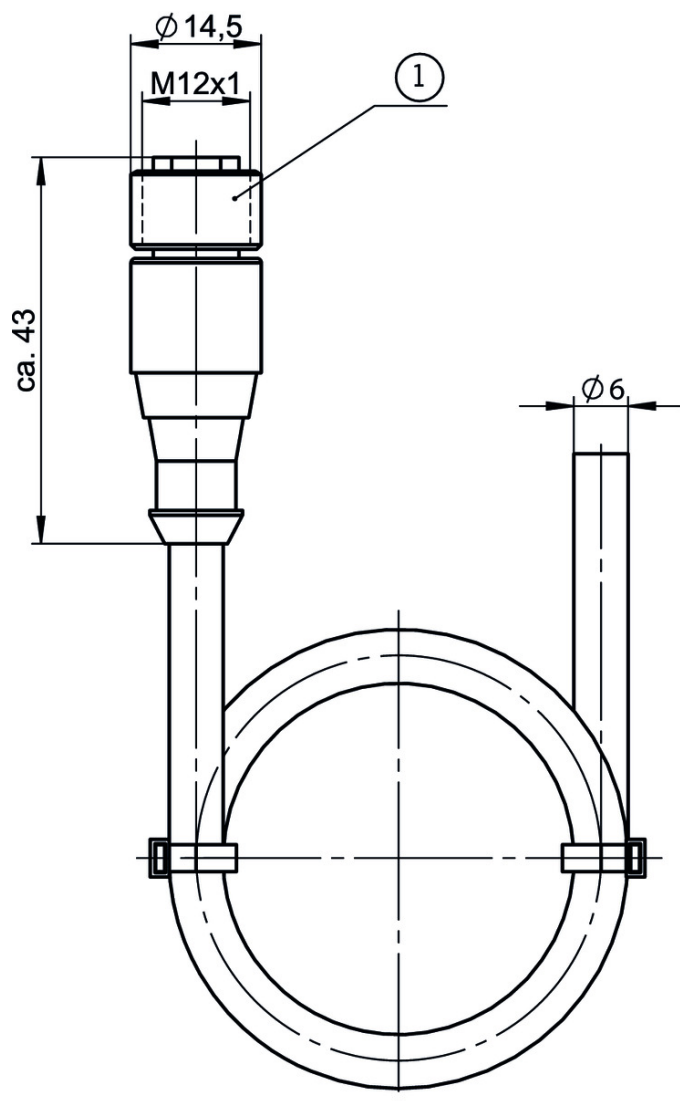
### Electrical connection ratings

Rated voltage		63 V
Test voltage		1,5 kV [2]
<b>Connection 1</b>		
Degree of contamination according to EN 60664-1		3

[1] Only in the screwed tight state with suitable mating component

[2] eff./60s

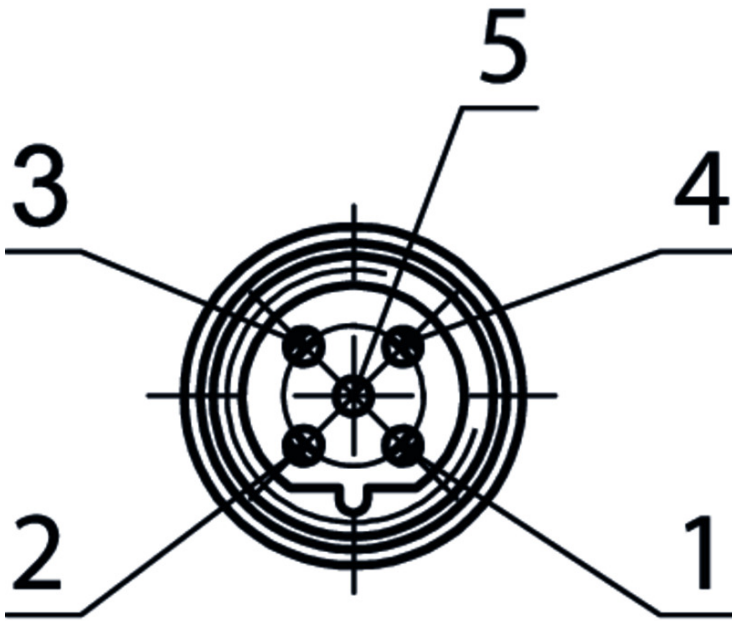
## Dimension drawing



## Legende

1 Female plug M12, 5-pin







### Wiring diagram (view of connection side)



1 = BN  
2 = WH  
3 = BU  
4 = BK  
5 = GNYE

### Catalogs

- ✓ Positionsschalter und Reihengrenztaster Position Switches and Multiple Limit Switches  
Interrupteurs de position et boîtiers multipistes

	Doc. no.	Version	Language	Download
Positionsschalter und Reihengrenztaster	157835	01-03/18		 4.1 MB
Interrupteurs de position et boîtiers multipistes	157837	01-03/18		 4.1 MB
Position Switches and Multiple Limit Switches	157836	01-03/18		 4.1 MB