

## ITEM 098633 NP3-628AS

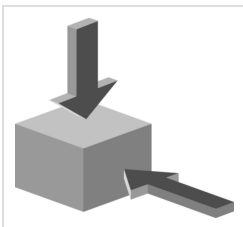
Description	Technical data	Accessories	Downloads
-------------	----------------	-------------	-----------



### Features

- › Mounting to DIN EN 50047
- › Plug connector SM4

### Approach direction



- › Figure  
Horizontal and vertical  
Can be adjusted in 90° steps

### Switching element

**628** Slow-action switching contact 1 NC ⊕ + 1 NO

## Approvals



## Mechanical values and environment

Housing material	Reinforced thermoplastic
Weight	Net 0,5 kg
Ambient temperature	-20 ... 80 °C
Degree of protection	IP67
Mechanical life	1 x 10 <sup>6</sup>
Contact material	Silver alloy, gold flashed
Switching principle	Slow-action switching contact
Mounting method	Mounting according to EN50047
Installation position	Any
Number of guard lock monitoring positively driven contacts	1
Number of guard lock monitoring NO contacts	1
Connection	1 x Plug connector M12 [1]
Approach speed	max. 20 m/min
Actuation frequency	7000 1/h
Retention force	2 N
Extraction force	15 N
Actuating force	5 N
Insertion depth	Horizontal 28 mm Vertical 29,5 mm

## Electrical connection ratings

Rated thermal current I <sub>th</sub>	1,5 A
Utilization category according to EN 60947-5-1	AC-15 1.5A 230V DC-13 1.5A 24V
Short circuit protection according to IEC 60269-1	(Fuse) 2A gG
Rated insulation voltage U <sub>i</sub>	250 V
Rated impulse withstand voltage U <sub>imp</sub>	1,5 kV
Switching voltage	Min. at 10mA 24 V

Switching current	Min. at 24V	30 mA
-------------------	-------------	-------

**Reliability values acc. to EN ISO 13849-1**

	<b>Monitoring of the safety guard position</b>	
B10D		$3 \times 10^6$

**in combination with Actuator BETAETIGER-P-GT**

**Mechanical values and environment**

Overtravel A B C D E	Horizontal	2 mm
Overtravel K L M N	Vertical	1,5 mm

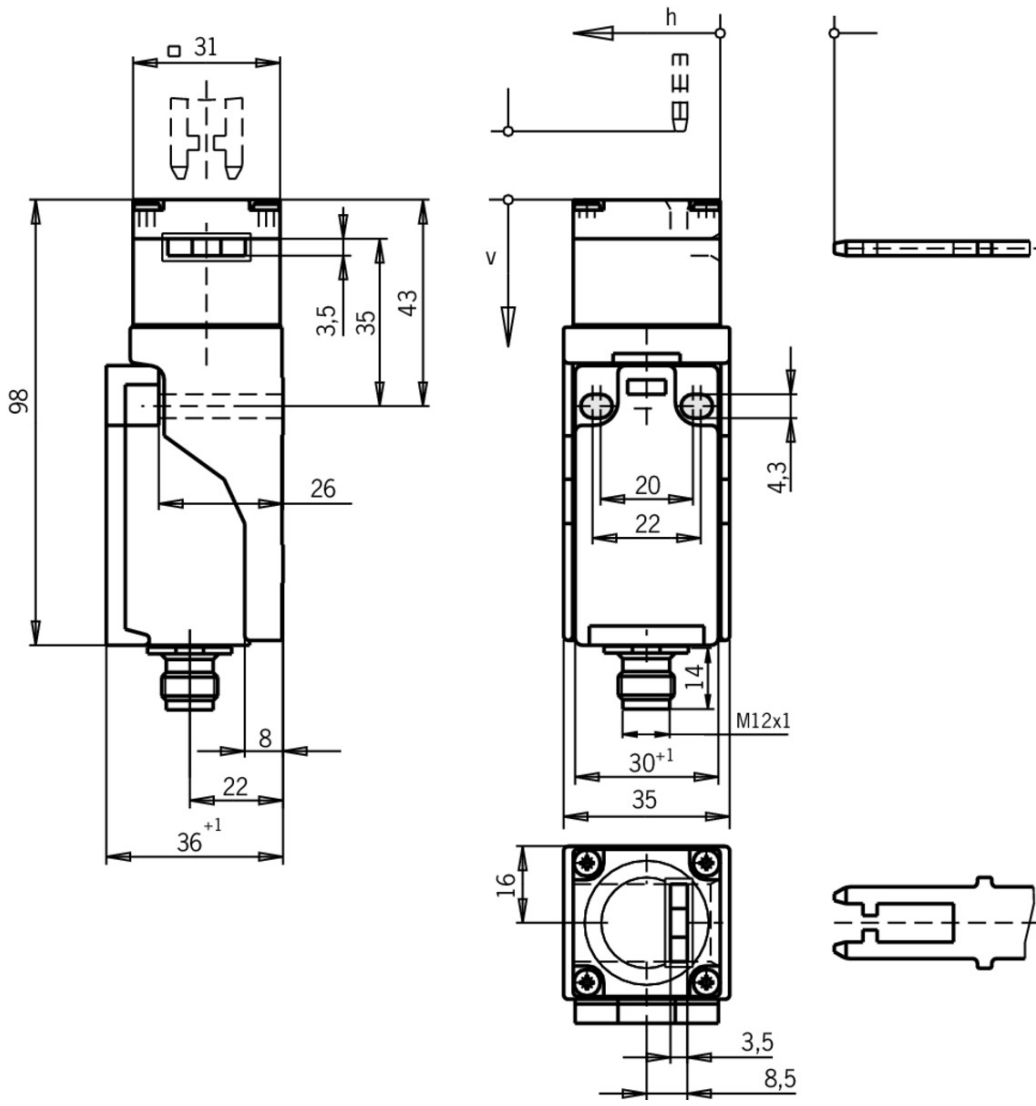
**in combination with Actuator BETAETIGER-P-GNT**

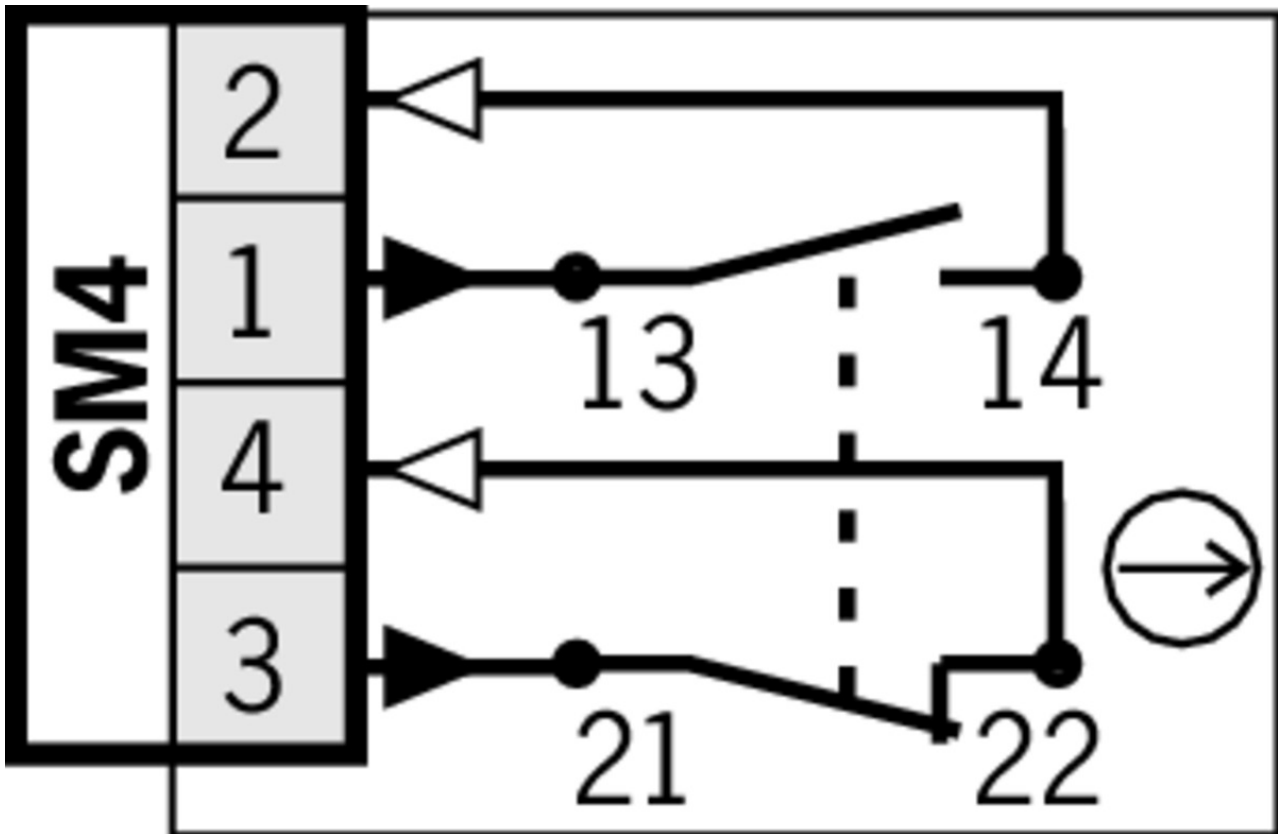
**Mechanical values and environment**

Overtravel A B C D E	Horizontal	7 mm
----------------------	------------	------

[1] 4-pin

# Dimension drawing





## Actuator

- ✓ Actuators for safety switches NP/GP/TP, increased overtravel



### 074570 BETAETIGER-P-GN

#### ✓ Features

- › Actuators made of stainless steel
- › Two stainless safety screws per actuator



### 074576 BETAETIGER-P-GNT

#### ✓ Features

- › Actuators made of stainless steel
- › Two stainless safety screws per actuator
- › Actuators with rubber bushings

- ✓ Bent actuator for safety switches NP/GP/TP, increased overtravel



### 074571 BETAETIGER-P-WN

#### ✓ Features

- › Actuators made of stainless steel
- › Two stainless safety screws per actuator



### 074577 BETAETIGER-P-WNT

#### ✓ Features

- › Actuators made of stainless steel

- › Two stainless safety screws per actuator
  - › Actuators with rubber bushings
- 

▼ Hinged actuator left/right for safety switches NP/GP/TP, increased overtravel



**074573** RADIUSBETAETIGER-P-LRN

▼ Features

- › Actuators made of stainless steel
  - › Two stainless safety screws per actuator
  - › For doors hinged on right and left
- 

▼ Actuators for safety switches NP/GP/TP



**059226** BETAETIGER-P-G

▼ Features

- › Actuators made of stainless steel
  - › Two stainless safety screws per actuator
- 



**070046** BETAETIGER-P-GT

▼ Features

- › Actuators made of stainless steel
  - › Two stainless safety screws per actuator
  - › Actuators with rubber bushings
- 

▼ Hinged actuator top/bottom for safety switches NP/GP/TP



**070050** RADIUSBETAETIGER-P-OU

▼ Features

- › Actuators made of stainless steel
  - › Two stainless safety screws per actuator
  - › For doors hinged at top and bottom
- 

▼ Bent actuator for safety switches NP/GP/TP



**059227** BETAETIGER-P-W

▼ Features

- › Actuators made of stainless steel
  - › Two stainless safety screws per actuator
- 



**070038** BETAETIGER-P-WT

▼ Features

- › Actuators made of stainless steel
  - › Two stainless safety screws per actuator
  - › Actuators with rubber bushings
- 

▼ Hinged actuator top/bottom for safety switches NP/GP/TP, increased overtravel



**074572** RADIUSBETAETIGER-P-OUN

▼ Features

- › Actuators made of stainless steel

- › Two stainless safety screws per actuator
  - › For doors hinged at top and bottom
- 

- ▼ Hinged actuator left/right for safety switches NP/GP/TP



**059440** RADIUSBETAETIGER-P-LR

▼ Features

- › Actuators made of stainless steel
  - › Two stainless safety screws per actuator
  - › For doors hinged on right and left
- 

## Function expansion

---

- ▼ Latch spring for increased retention force

**076501** RASTFEDER NP/TP

---

- ▼ Insertion funnel for safety switches NP..A/GP/TP..A



**086237** EINFUEHRTRICHTER-P

---

- ▼ Lockout bar NP/GP/TP



**096105** SPERREINSATZ TP

▼ Features

- › Prevents unintentional closing of the door
  - › Can be secured with padlocks
- 

- ▼ Adapter NP-K



**074578** ADAPTER NP-K

---

## Mounting accessories

---

- ▼ Mounting plates EMP-SC for safety switches NM, NP...AS and NZ



**085753** EMP-SC

▼ Features

- › For vertical and horizontal mounting of safety switches NM, NP...AS and NZ
- 

- ▼ Safety screws M5 x 25

**073457** M5X25/V100

▼ Features

- › Safety screws M5 x 25

- › Packaging unit 100 pieces

---

▼ Safety screws for actuators, M5 x 10

**073455** M5X10-NIRO/V100 NZ/TZ

▼ Features

- › Safety screws M5 x 10
- › Packaging unit 100 pieces

---

▼ Safety screws for safety switches M4 x 14, large head

**086232** M4X14-NIRO/V100

▼ Features

- › Safety screws M4 x 14 (large head)
- › Packaging unit 100 pieces

---

▼ Switch bracket for bolt NP/TP



**073538** SCHALTERAUFNAHME NP

▼ Features

- › Switch bracket made of steel
- › For doors hinged on the left or right

---

## Connection material

▼ Plug connector M12



**035613** C-M12F04-04X034PU05,0-GA-035613

▼ Features

- › M12 female plug, 4-pin
- › Straight plug connector
- › PUR cable
- › Halogen-free
- › Cable length 5 m
- › With flying lead
- › Cores color-coded



**035618** C-M12F04-04X034PU05,0-GA-035618

▼ Features

- › M12 female plug, 4-pin
- › Angled plug connector
- › PUR cable
- › Halogen-free
- › Cable length 5 m
- › With flying lead
- › Cores color-coded



▼ Bolt 0 NP/TP for safety switches NP, GP and TP



**073535** RIEGEL 0 NP/TP OHNE RASTUNG

▼ Features

- › Steel bolt
- › For doors hinged on the left or right
- › Can be locked in open position with padlocks
- › Actuator included

▼ Bolt 1 NP/TP for safety switches NP, GP and TP



**073536** RIEGEL 1 NP/TP 1X RASTUNG ZU

▼ Features

- › Steel bolt
- › For doors hinged on the left or right
- › Can be locked in open position with padlocks
- › Actuator included
- › Detent mechanism closed position

## Instructions

▼ Betriebsanleitung Sicherheitsschalter NP...

	Doc. no.	Version	Language	Download
Betriebsanleitung Sicherheitsschalter NP...	083684	07-10/15		2.0 MB
Manual de instrucciones Interruptores de seguridad NP...				
Mode d'emploi Interrupteur de sécurité NP...				
Istruzioni di impiego Finecorsa di sicurezza NP...				
Operating Instructions Safety Switch NP...				

## Catalogs

▼ Bezpečnostní spínače s plastovým pouzdrém Sicherheitsschalter mit Kunststoffgehäuse Safety Switches with Plastic Housing Interruptores de seguridad con carcasa plástica Interrupteurs de sécurité avec boîtier plastique 塑料壳体 的安全开关

	Doc. no.	Version	Language	Download
Sicherheitsschalter mit Kunststoffgehäuse	096955	11-03/18		6.6 MB
Interrupteurs de sécurité avec boîtier plastique	100677	11-03/18		6.6 MB
Interruptores de seguridad con carcasa plástica	104855	11-03/18		6.6 MB
Bezpečnostní spínače s plastovým pouzdrém	121649	11-03/18		6.6 MB
Safety Switches with Plastic Housing	096956	11-03/18		6.6 MB
塑料壳体 的安全开关	116243	11-03/18		6.2 MB

## Declaration of conformity

▼ EU prohlášení o shodě

	Doc. no.	Version	Language	Download
EU-Konformitätserklärung Declaración UE de conformidad Déclaration UE de conformité Dichiarazione di conformità EU declaration of conformity	2077153	25-02/17	    	 0.3 MB
EU prohlášení o shodě EU-overensstemmelseserklæring Δήλωση συμμόρφωσης της ΕΕ EU-vaatimustenmukaisuusvakuutus EU-típusbizonyítvány EU-conformiteitsverklaring Deklaracja zgodności UE Declaração de Conformidade UE Declarația de conformitate UE EÚ vyhlásenie o zhode	2077153	25-02/17	         	 0.5 MB