

ITEM 095201 NZ2HS-538SEM4AS1

Description	Technical data	Accessories	Downloads
-------------	----------------	-------------	-----------



Features

- › Version A according to EN 50041 NZ.HS (steel roller \varnothing 18 mm)

Switching direction

Right, left or both sides.

AS-Interface inputs

D0, D1 Positively driven NC contact 1
D2, D3 Positively driven NC contact 2
Evaluation is performed via a safety monitor.

AS-Interface outputs

D1 Red LED
D2 Green LED

LED function display

- › The Power LED indicates the operating voltage on the bus.

- › The Fault LED indicates if a fault has been detected on the AS-Interface bus.
- › The green and the red LEDs can be controlled as required by the control system via the bus using bits D1 and D2.

Approvals



Mechanical values and environment

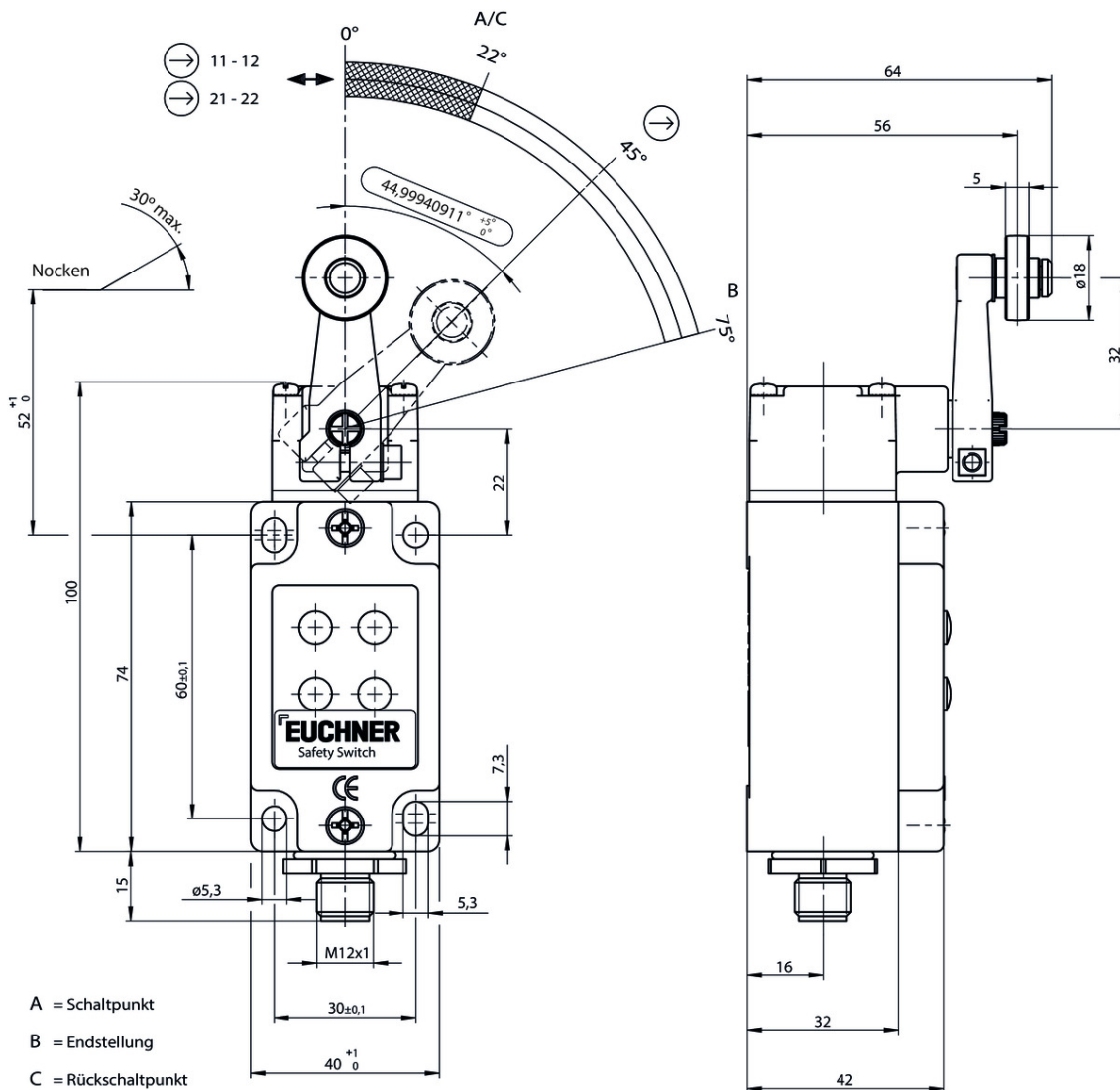
Housing material	Anodized die-cast alloy
Weight	Net 0,3 kg
Ambient temperature	-25 ... 70 °C
Degree of protection	IP67
Mechanical life	30 x 10 ⁶
Contact material	Silver alloy, gold flashed
Switching principle	Slow-action switching contact
Installation position	Any
Number of door position positively driven contacts	
According to ASI Safety at work	2 D0, D1 / D2, D3
Connection	1 x Plug connector M12 [1]
Approach speed	max. 0,1 ... 60 m/min
Actuating element	
Plain bearing metal	Lever arm [2]
Actuating force	min.15 N

Electrical connection ratings

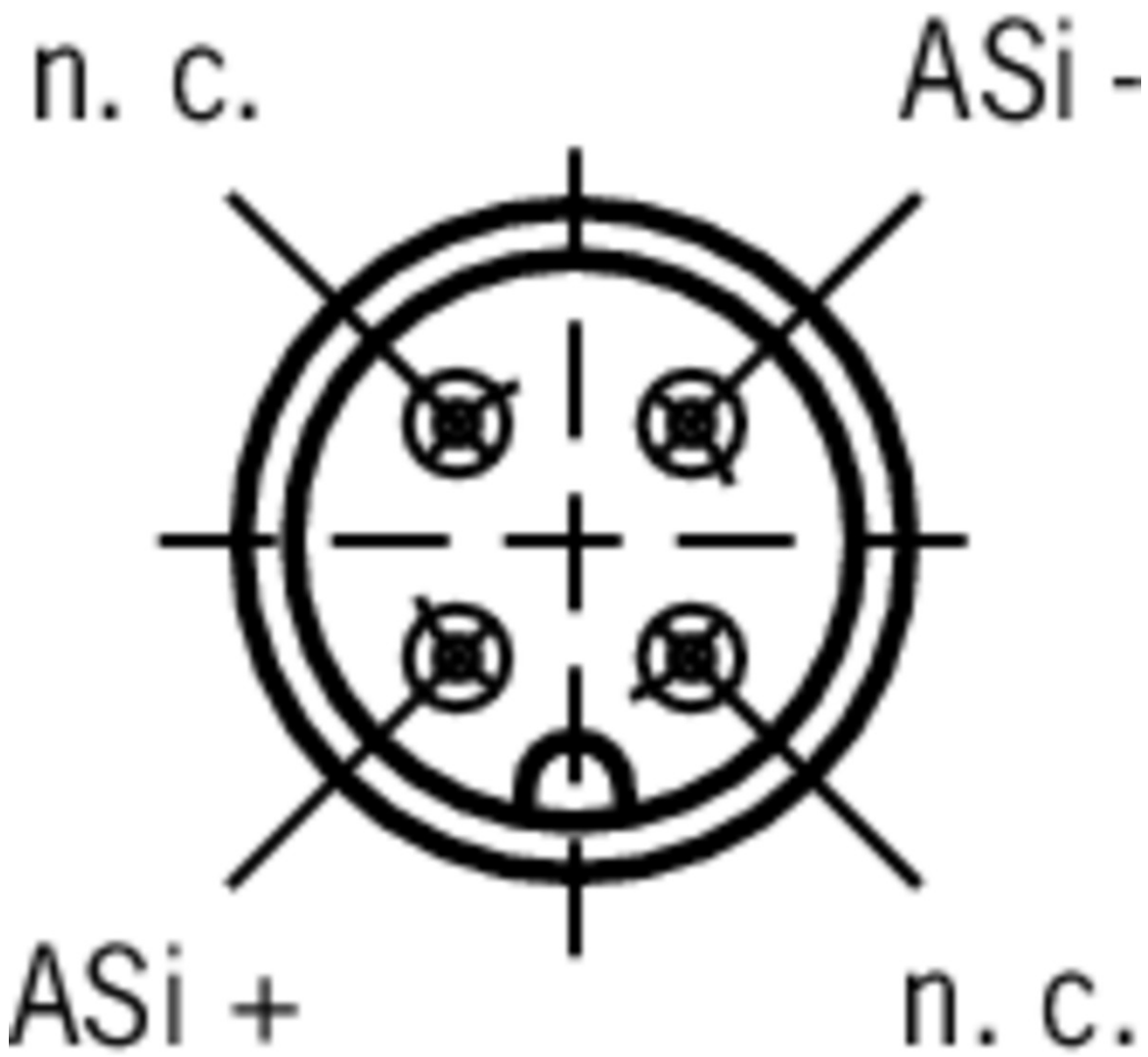
ASi voltage	22,5 ... 30 V 31,6 V
ASi operating current	max.45 mA
ASi slave type	
According to ASI specification 2.1	ID code B
According to ASI specification 2.1	EA code 7
ASi data in	
According to ASI Safety at work	D0, D1 / D2, D3 [3]
ASi data out	
LED red	D1 [4]
LED green	D2 [5]
ASi LED	
LED green	Power [6]

Reliability values acc. to EN ISO 13849-1B10_D20 x 10⁶

- [1] 4-pin
- [2] d roller = 18 mm length 32 mm
- [3] See positively driven NC contact
- [4, 5] 1 = LED on
- [6] ASI - power on
- [7] Offline phase or address 0

Dimension drawing

Connector assignment

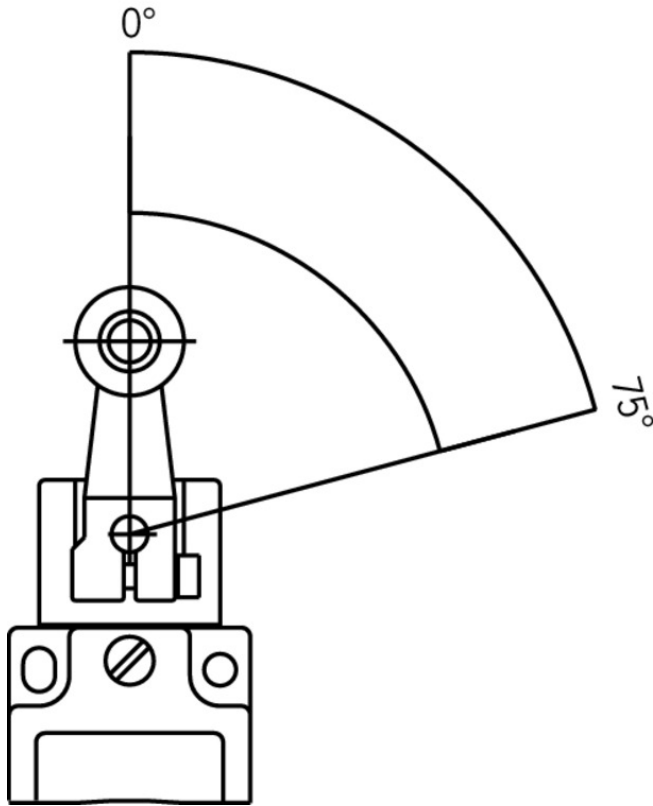


Legende

View of connection side

Travel diagram

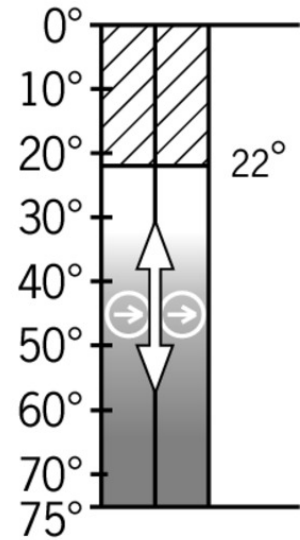
NZ...HS
NZ...HB



538H



11-12
21-22



Spare parts

- ✓ Lever arm with steel roller






012043 NHS ROLLENHEBEL

- ✓ Features

› Steel roller Ø18mm







Instructions

- ✓ Betriebsanleitung Sicherheitsschalter NZ.H/P...AS1

	Doc. no.	Version	Language	Download
Betriebsanleitung Sicherheitsschalter NZ.H/P...AS1 Operating Instructions Safety Switch NZ.H/P...AS1	095119	04-12/15	 	 0.9 MB

Catalogs

▼ Sicherheitsschalter mit AS-Interface Safety Switches with AS-Interface Interrupteurs de sécurité avec AS-Interface

	Doc. no.	Version	Language	Download
Sicherheitsschalter mit AS-Interface	092164	11-04/17		 2.3 MB
Interrupteurs de sécurité avec AS-Interface	112564	11-04/17		 2.3 MB
Safety Switches with AS-Interface	092332	11-04/17		 2.3 MB

Declaration of conformity

▼ EU prohlášení o shodě

	Doc. no.	Version	Language	Download
EU-Konformitätserklärung Declaración UE de conformidad Déclaration UE de conformité Dichiarazione di conformità EU declaration of conformity	2077153	25-02/17	    	 0.3 MB
EU prohlášení o shodě EU-overensstemmelseserklæring Δήλωση συμμόρφωσης της ΕΕ EU-vaatimustenmukaisuusvakuutus EU-típusbizonyítvány EU-conformiteitsverklaring Deklaracja zgodności UE Declaração de Conformidade UE Declarația de conformitate UE EÚ vyhlásenie o zhode	2077153	25-02/17	         	 0.5 MB

CAD data

CAD data for this item on TraceParts