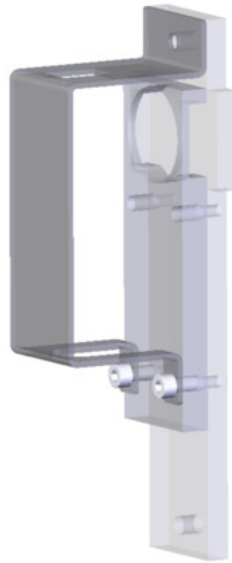


ITEM 117007 SCHUTZBLECH / PROTECTION PLATE

Description	Technical data	Accessories	Downloads
-------------	----------------	-------------	-----------



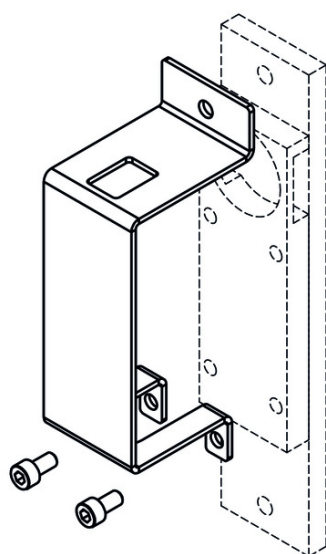
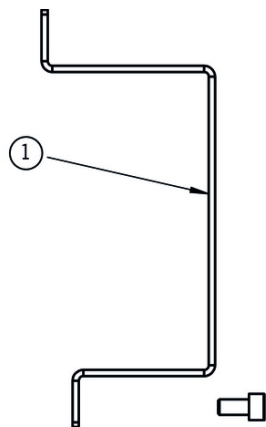
Features

- › Protective plate can be used in combination with the switch CES-C01.
- › The protective plate protects the switch against external impacts.
- › Two safety screws M5 x 18 included.

Mechanical values and environment

Material	Steel powder-coated
Weight	Net 0,15 kg

Dimension drawing



Legende

1 Type label