

**ITEM 054868 HKD100S100G24**

Description	Technical data	Accessories	Downloads
-------------	----------------	-------------	-----------



**Features**

- › 100 detent positions per revolution
- › Wear-free magnetic detent mechanism
- › 100 pulses per revolution
- › Installation in operator panels and EUCHNER hand-held pendant stations HBL

**Approvals**



**Mechanical values and environment**

Material	Aluminum
Weight	Net 0.5
Ambient temperature	0 ... 70 °C

Atmospheric humidity (condensation not permissible)	0.8
Degree of protection IEC 529 IP65 <b>[1]</b> acc. to NEMA 250 250-12 <b>[2]</b>	
Resilience to vibration Vibration (3 axes) DIN/IEC 68-2-6 Shock (3 axes) DIN/IEC 68-2-27	
Tightening torque	max.0,5 Nm
Connection	Screw terminal 6-pole
Detent positions per revolution	100

### Electrical connection ratings

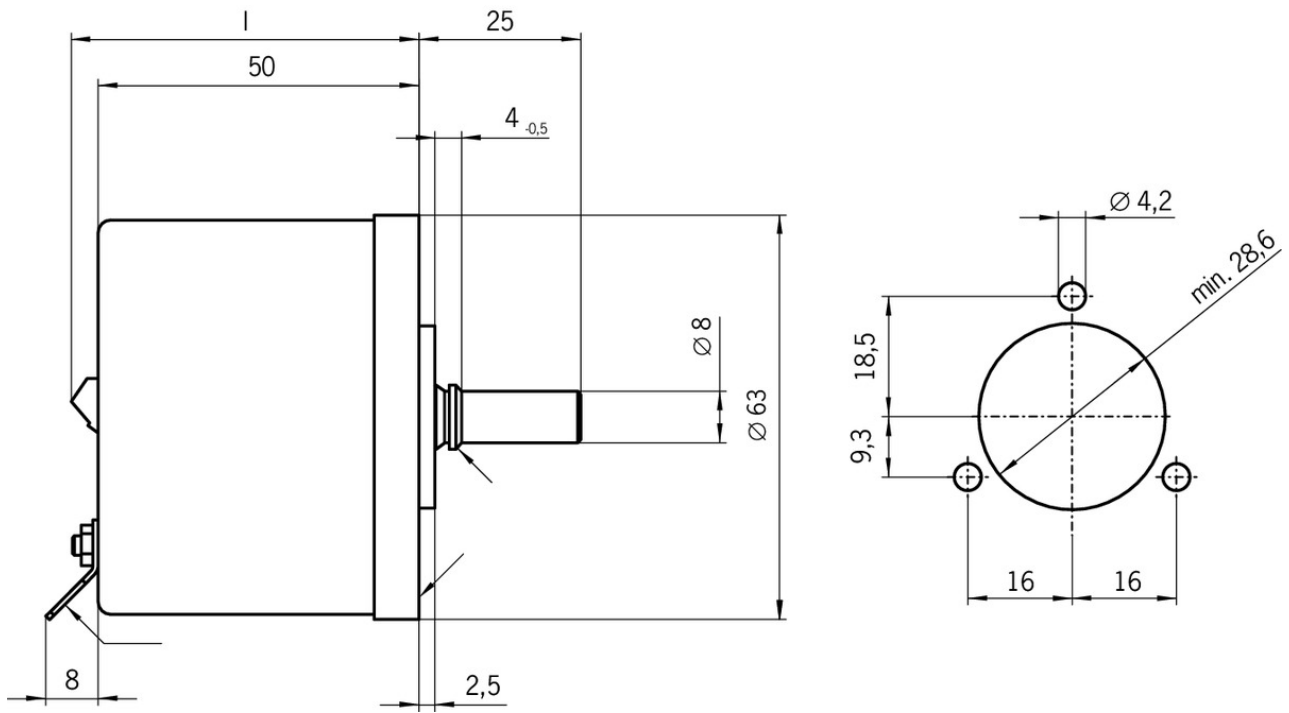
Operating voltage DC	10 ... 30 V DC
Current consumption Without load	max.80 mA
EMC protection requirements Acc. to CE	EN 61000-6-2, EN 61000-6-4
Type of output	Push-pull
Connection cross-section	0,08 ... 2,5 mm <sup>2</sup>
Connection cross-section, AWG	28 ... 12 AWG
Pulses per revolution	2x100
Output voltage High(1) at 20 mAmin.Ub-3 V DC Low(0) at 20 mAmax.3 V DC	

### Miscellaneous

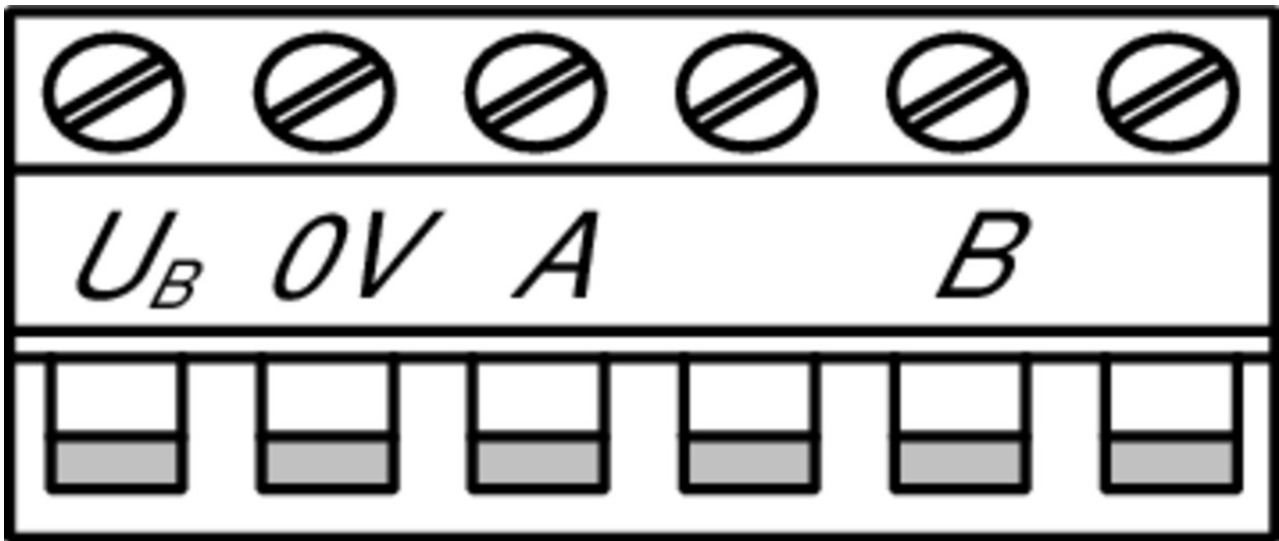
Detent mechanism	Magnetic
------------------	----------

**[1, 2]** On the front

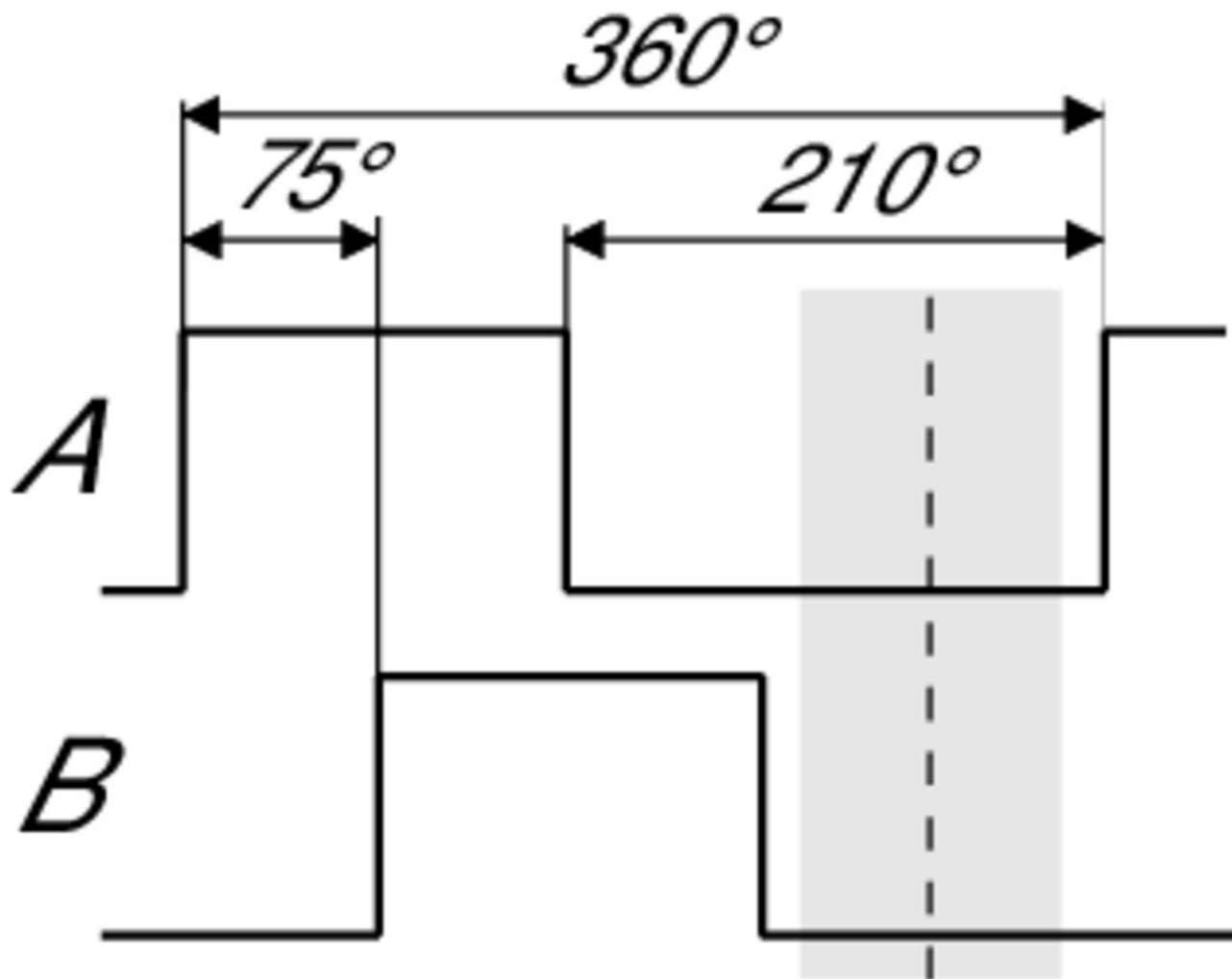
### Dimension drawing



### Terminal assignment



## Ausgangssignale



## Instructions

### ▼ Betriebsanleitung Elektronisches Handrad HKD

	Doc. no.	Version	Language	Download
Betriebsanleitung Elektronisches Handrad HKD Mode d'emploi de la manivelle électronique HKD Istruzioni di impiego volantino elettronico HKD Operating instructions for electronic handwheel HKD	089116	03-01/14	   	0.5 MB

## Catalogs

### ▼ Handbediengeräte/Handräder Hand-Held Pendant Stations/Handwheels Pupitres portables/Manivelles

	Doc. no.	Version	Language	Download
Handbediengeräte/Handräder	098619	08-09/17		3.0 MB
Pupitres portables/Manivelles	111529	08-09/17		3.0 MB

Hand-Held Pendant Stations/Handwheels

099443

08-09/17



3.0 MB

**CAD data**

CAD data for this item on TraceParts