

ITEM 057037 HKD100V100G24

Description	Technical data	Accessories	Downloads
-------------	----------------	-------------	-----------



Features

- › 100 detent positions per revolution
- › Wear-free magnetic detent mechanism
- › 100 pulses per revolution
- › Installation in operator panels and EUCHNER hand-held pendant stations HBL

Approvals



Mechanical values and environment

Material	Aluminum
Weight	
	Net 0.5
Ambient temperature	0 ... 70 °C

Atmospheric humidity (condensation not permissible)	0.8
Degree of protection	IEC 529 IP65 [1] acc. to NEMA 250 250-12 [2]
Resilience to vibration	Vibration (3 axes) DIN/IEC 68-2-6 Shock (3 axes) DIN/IEC 68-2-27
Connection	Ribbon cable with socket connector DIN 41651 6-pin [3]
Detent positions per revolution	100

Electrical connection ratings

Operating voltage DC	10 ... 30 V DC
Current consumption	Without load max.80 mA
EMC protection requirements	Acc. to CE EN 61000-6-2, EN 61000-6-4
Type of output	Push-pull
Pulses per revolution	2x100
Output voltage	High(1) at 20 mAmin.Ub-3 V DC Low(0) at 20 mAmax.3 V DC

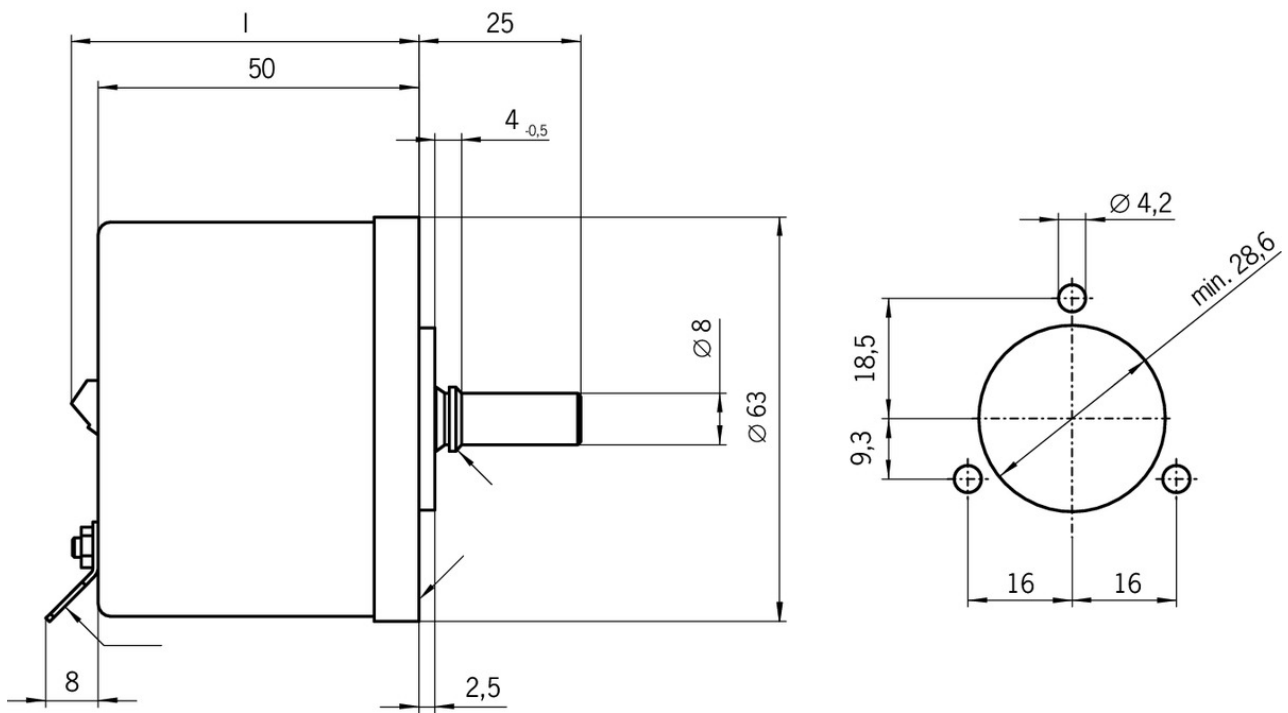
Miscellaneous

Detent mechanism	Magnetic
------------------	----------

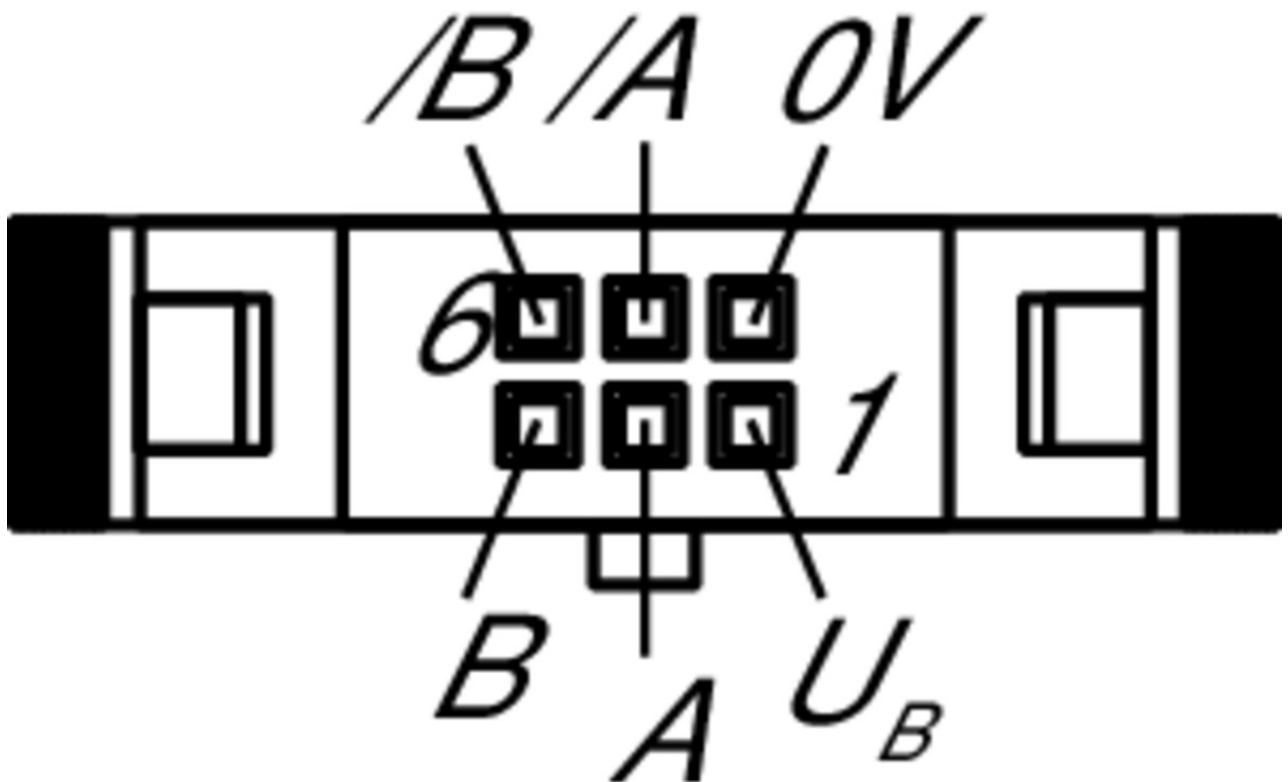
[1, 2] On the front

[3] Length approx. 250mm

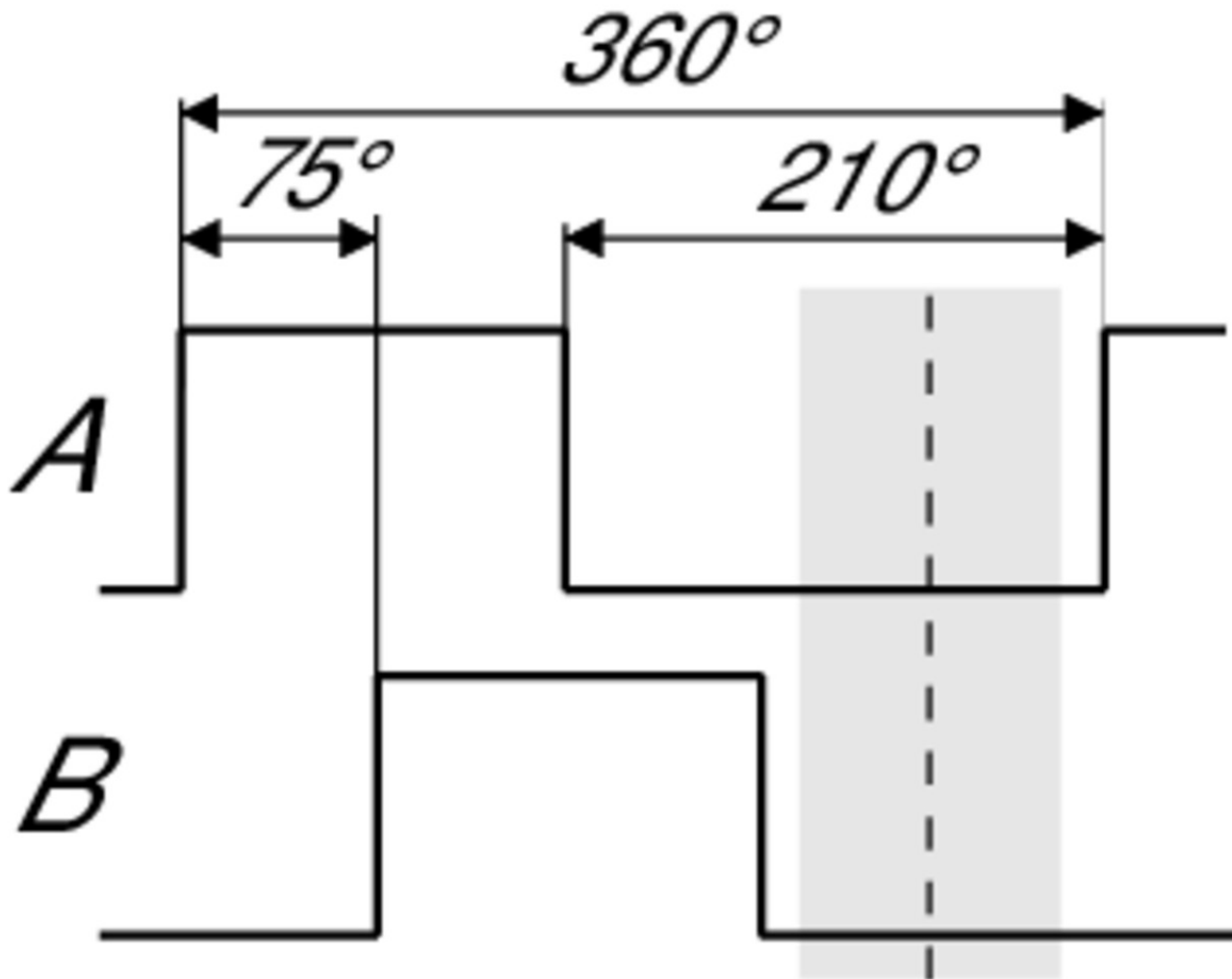
Dimension drawing



Terminal assignment



Ausgangssignale



Instructions

▼ Betriebsanleitung Elektronisches Handrad HKD

	Doc. no.	Version	Language	Download
Betriebsanleitung Elektronisches Handrad HKD Mode d'emploi de la manivelle électronique HKD Istruzioni di impiego volantino elettronico HKD Operating instructions for electronic handwheel HKD	089116	03-01/14	 	0.5 MB

Catalogs

▼ Handbediengeräte/Handräder Hand-Held Pendant Stations/Handwheels Pupitres portables/Manivelles

	Doc. no.	Version	Language	Download
Handbediengeräte/Handräder	098619	08-09/17		3.0 MB
Pupitres portables/Manivelles	111529	08-09/17		3.0 MB

Hand-Held Pendant Stations/Handwheels

099443

08-09/17



3.0 MB

CAD data

CAD data for this item on TraceParts