

ITEM 091525 HKD025S100G12

Description	Technical data	Accessories	Downloads
-------------	----------------	-------------	-----------



Features

- › 100 detent positions per revolution
- › Wear-free magnetic detent mechanism
- › 25 pulses per revolution
- › Installation in operator panels and EUCHNER hand-held pendant stations HBL

Approvals



Mechanical values and environment

Material	Aluminum
Weight	Net 0.5
Ambient temperature	0 ... 70 °C

Atmospheric humidity (condensation not permissible)	0.8
Degree of protection IEC 529 IP65 [1] acc. to NEMA 250 250-12 [2]	
Resilience to vibration Vibration (3 axes) DIN/IEC 68-2-6 Shock (3 axes) DIN/IEC 68-2-27	
Tightening torque	max.0,5 Nm
Connection	Screw terminal 6-pole
Detent positions per revolution	100

Electrical connection ratings

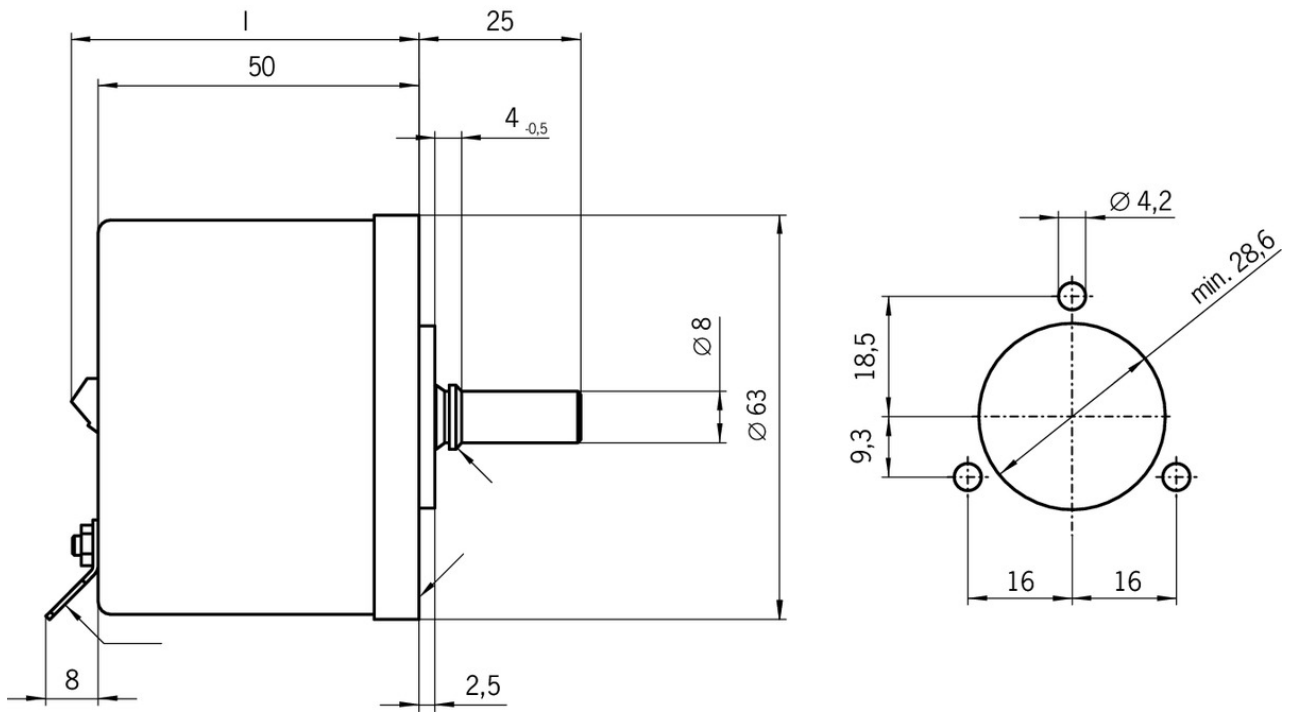
Operating voltage DC	10 ... 30 V DC
Current consumption Without load	max.80 mA
EMC protection requirements Acc. to CE	EN 61000-6-2, EN 61000-6-4
Type of output	Push-pull
Connection cross-section	0,08 ... 2,5 mm ²
Connection cross-section, AWG	28 ... 12 AWG
Pulses per revolution	2x25
Output voltage High(1) at 0 mA High(1) at 5 mA High(1) at 20 mA Low(0) at 15 mA	at 0 mA min.4,9 V DC at 5 mA min.3,9 V DC at 20 mA min.3,6 V DC at 15 mA max.1,3 V DC

Miscellaneous

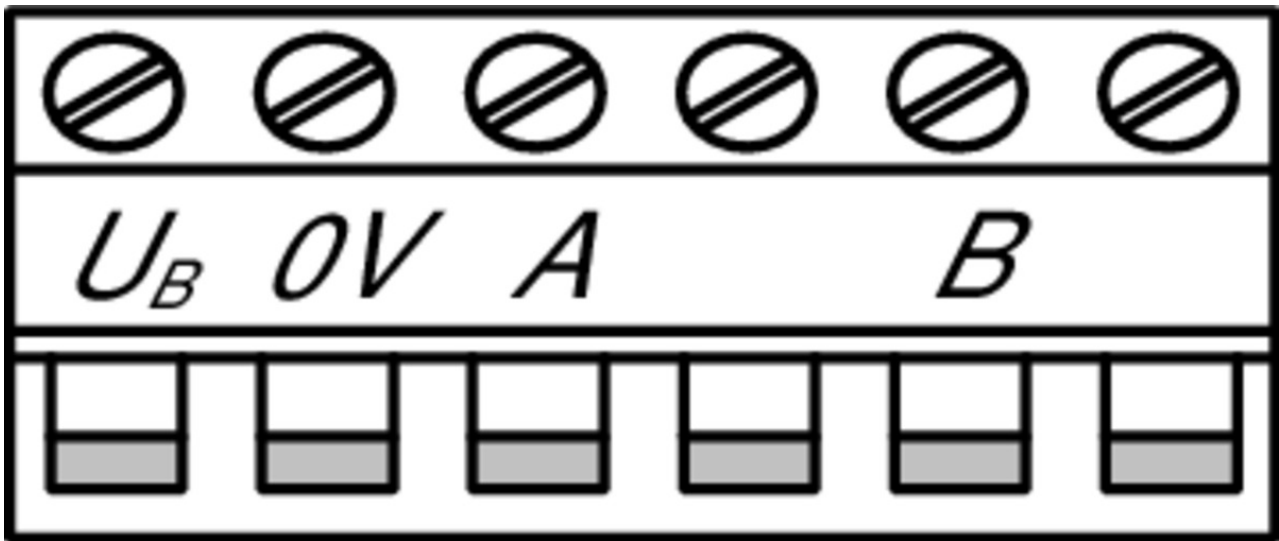
Detent mechanism	Magnetic
------------------	----------

[1, 2] On the front

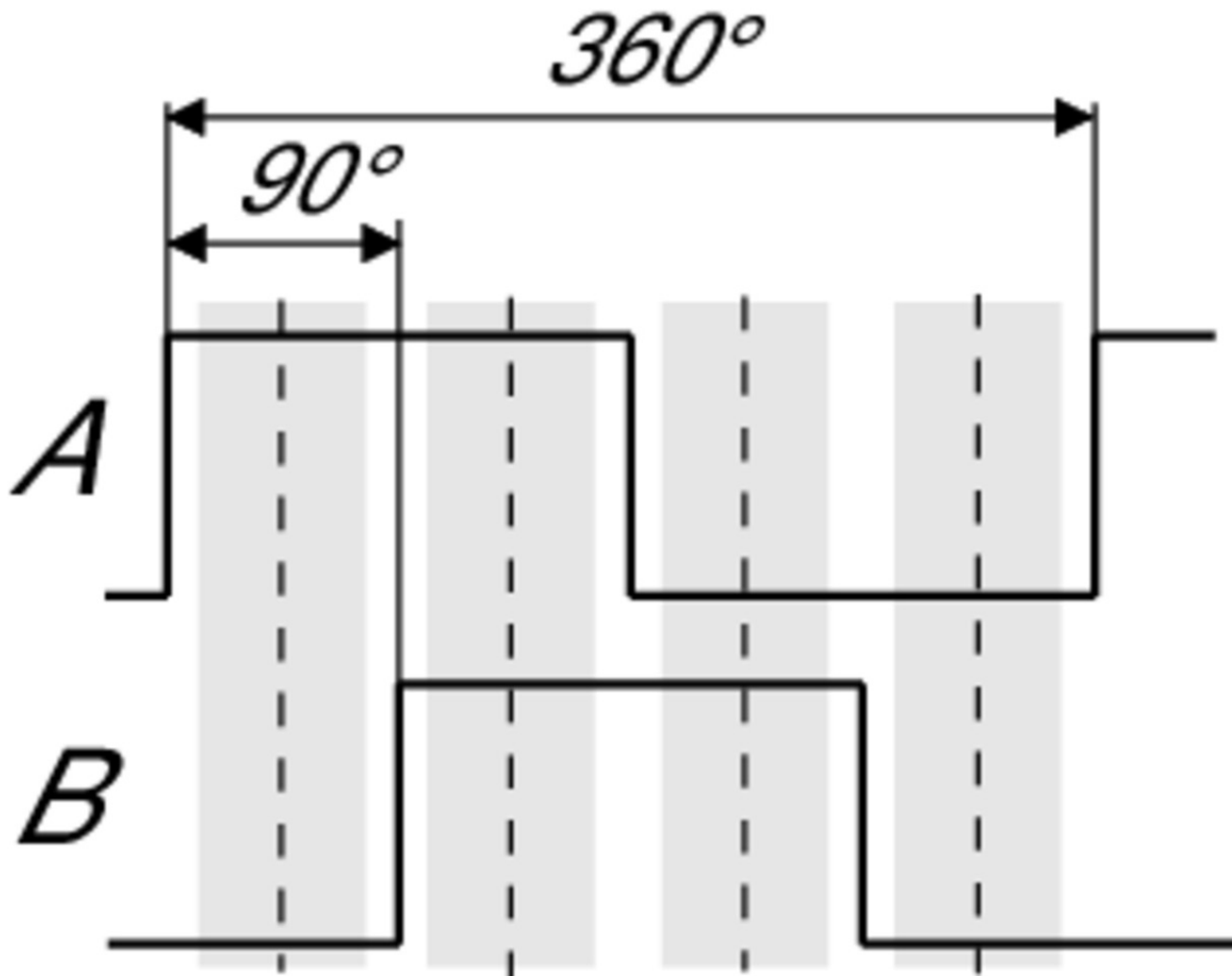
Dimension drawing



Terminal assignment



Ausgangssignale



Instructions

- Betriebsanleitung Elektronisches Handrad HKD

	Doc. no.	Version	Language	Download
Betriebsanleitung Elektronisches Handrad HKD	089116	03-01/14		0.5 MB
Mode d'emploi de la manivelle électronique HKD				
Istruzioni di impiego volantino elettronico HKD				
Operating instructions for electronic handwheel HKD				

Catalogs

- Handbediengeräte/Handräder Hand-Held Pendant Stations/Handwheels Pupitres portables/Manivelles

	Doc. no.	Version	Language	Download
Handbediengeräte/Handräder	098619	08-09/17		3.0 MB
Pupitres portables/Manivelles	111529	08-09/17		3.0 MB
Hand-Held Pendant Stations/Handwheels	099443	08-09/17		3.0 MB

CAD data

CAD data for this item on TraceParts