

ITEM 054866 HKD100S100A05

Description	Technical data	Accessories	Downloads
-------------	----------------	-------------	-----------



Features

- › 100 detent positions per revolution
- › Wear-free magnetic detent mechanism
- › 100 pulses per revolution
- › Installation in operator panels and EUCHNER hand-held pendant stations HBL

Notes

- › Output A05 suitable for Siemens control systems with RS422 input

Approvals



Mechanical values and environment

Material	Aluminum
----------	----------

Weight	Net	0.5
Ambient temperature		0 ... 70 °C
Atmospheric humidity (condensation not permissible)		0.8
Degree of protection	IEC 529 acc. to NEMA 250	IP65 ^[1] 250-12 ^[2]
Resilience to vibration	Vibration (3 axes) Shock (3 axes)	DIN/IEC 68-2-6 DIN/IEC 68-2-27
Tightening torque		max.0,5 Nm
Connection		Screw terminal 6-pole
Detent positions per revolution		100

Electrical connection ratings

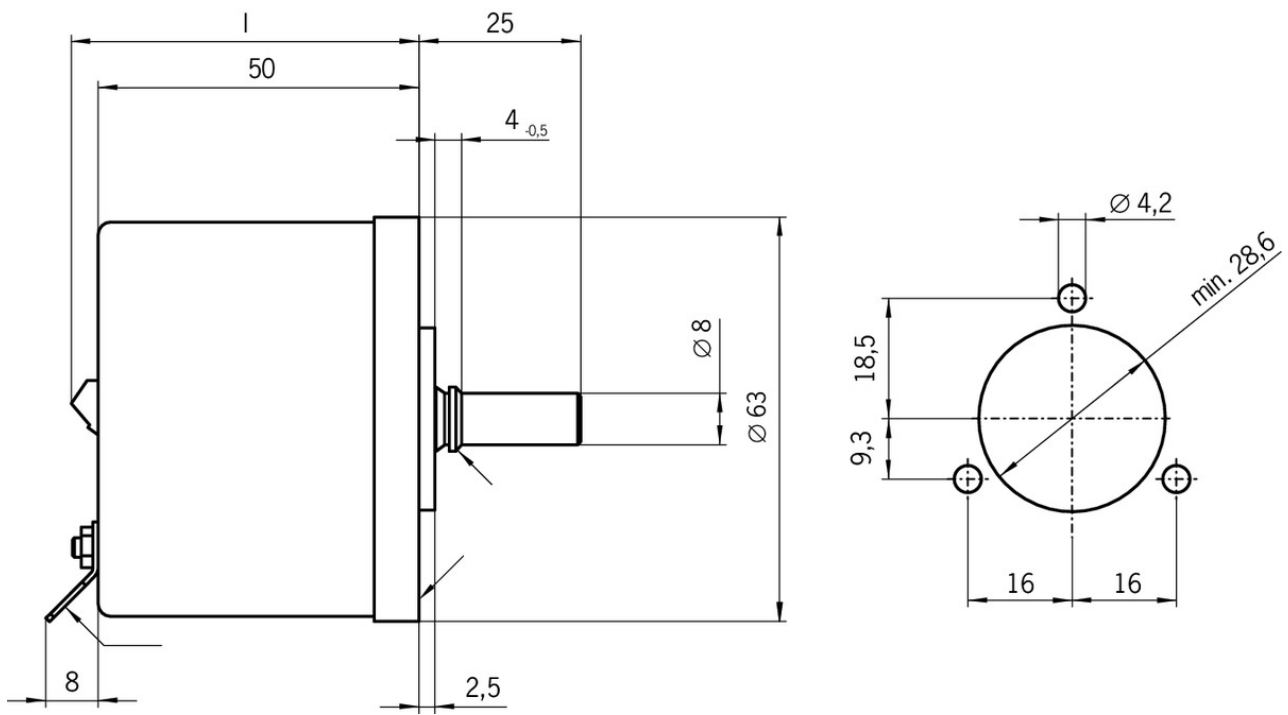
Operating voltage DC		5 V DC -5% ... 5%
Current consumption	Without load	max.80 mA
EMC protection requirements	Acc. to CE	EN 61000-6-2, EN 61000-6-4
Type of output		RS422
Connection cross-section		0,08 ... 2,5 mm ²
Connection cross-section, AWG		28 ... 12 AWG
Pulses per revolution		2x100
Output voltage		In accordance with RS422A

Miscellaneous

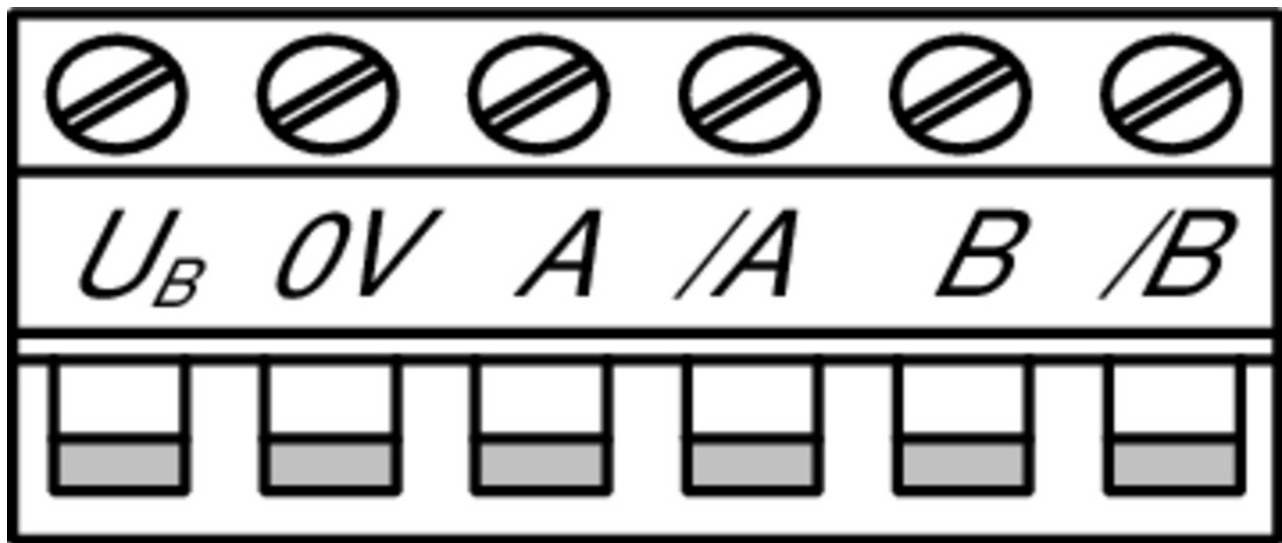
Detent mechanism		Magnetic
------------------	--	----------

[1, 2] On the front

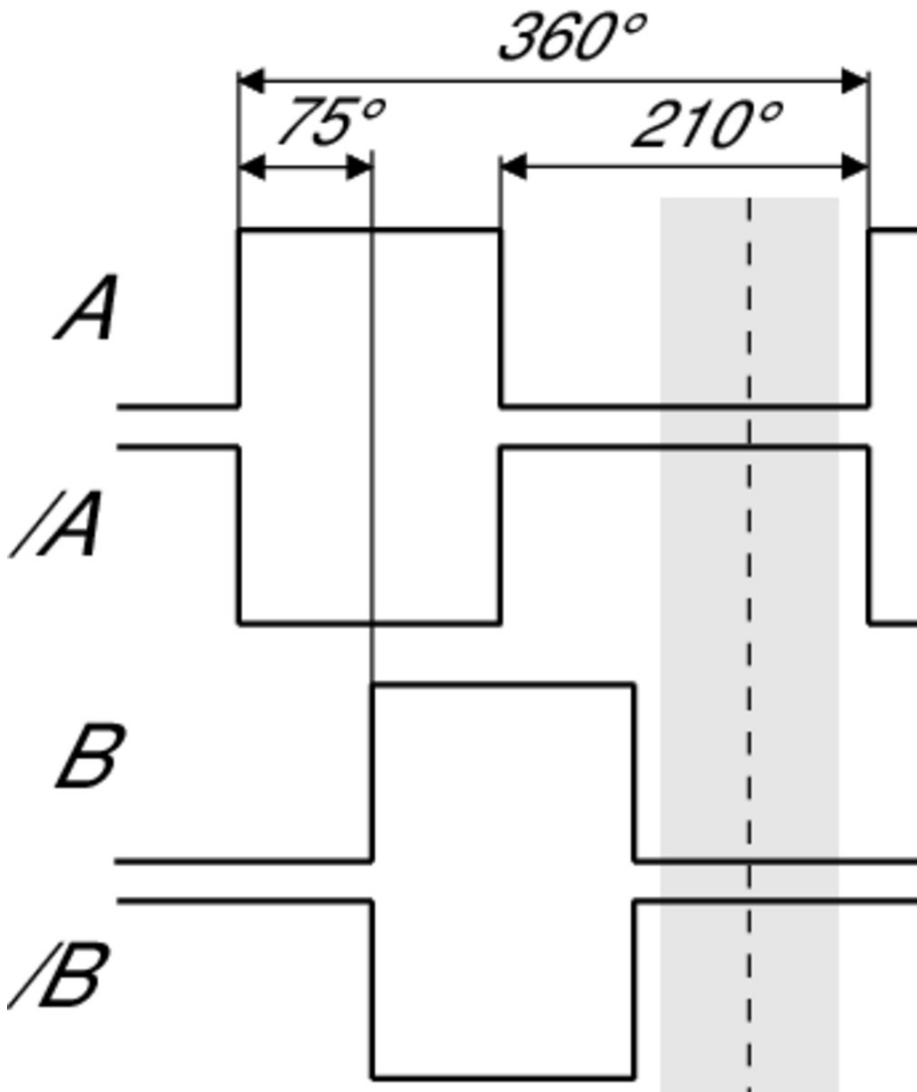
Dimension drawing



Terminal assignment



Ausgangssignale



Instructions





- Betriebsanleitung Elektronisches Handrad HKD

	Doc. no.	Version	Language	Download
Betriebsanleitung Elektronisches Handrad HKD	089116	03-01/14		0.5 MB
Mode d'emploi de la manivelle électronique HKD				
Istruzioni di impiego volantino elettronico HKD				
Operating instructions for electronic handwheel HKD				
HKD				

Catalogs

- Handbediengeräte/Handräder Hand-Held Pendant Stations/Handwheels Pupitres portables/Manivelles

	Doc. no.	Version	Language	Download
Handbediengeräte/Handräder	098619	08-09/17		3.0 MB

Pupitres portables/Manivelles	111529	08-09/17		 3.0 MB
Hand-Held Pendant Stations/Handwheels	099443	08-09/17		 3.0 MB

CAD data

CAD data for this item on TraceParts