

ITEM 082573 HKC100S100G05

Description	Technical data	Accessories	Downloads
-------------	----------------	-------------	-----------



Features

- › 100 detent positions per revolution
- › Wear-free magnetic detent mechanism
- › 100 pulses per revolution
- › Flat design

Approvals



Mechanical values and environment

Material	Aluminum
Weight	Net 0.095 [1]
Ambient temperature	0 ... 50 °C

Atmospheric humidity (condensation not permissible)	0.8
Degree of protection IEC 529 IP65 [2] acc. to NEMA 250 250-12 [3]	
Resilience to vibration Vibration (3 axes) DIN/IEC 68-2-6 Shock (3 axes) DIN/IEC 68-2-27	
Tightening torque	max.0,25 Nm
Connection	Screw terminal 7-pole
Detent positions per revolution	100

Electrical connection ratings

Operating voltage DC	5 V DC -5% ... 5%
Current consumption Without load	max.80 mA
EMC protection requirements Acc. to CE	EN 61000-6-2, EN 61000-6-4
Type of output	Push-pull
Connection cross-section	0,08 ... 1,5 mm ²
Connection cross-section, AWG	28 ... 16 AWG
Pulses per revolution	2x100
Output voltage High(1) at 0 mA High(1) at 5 mA High(1) at 20 mA Low(0) at 15 mA	min.4,0 V DC min.3,4 V DC min.3,0 V DC max.1,3 V DC

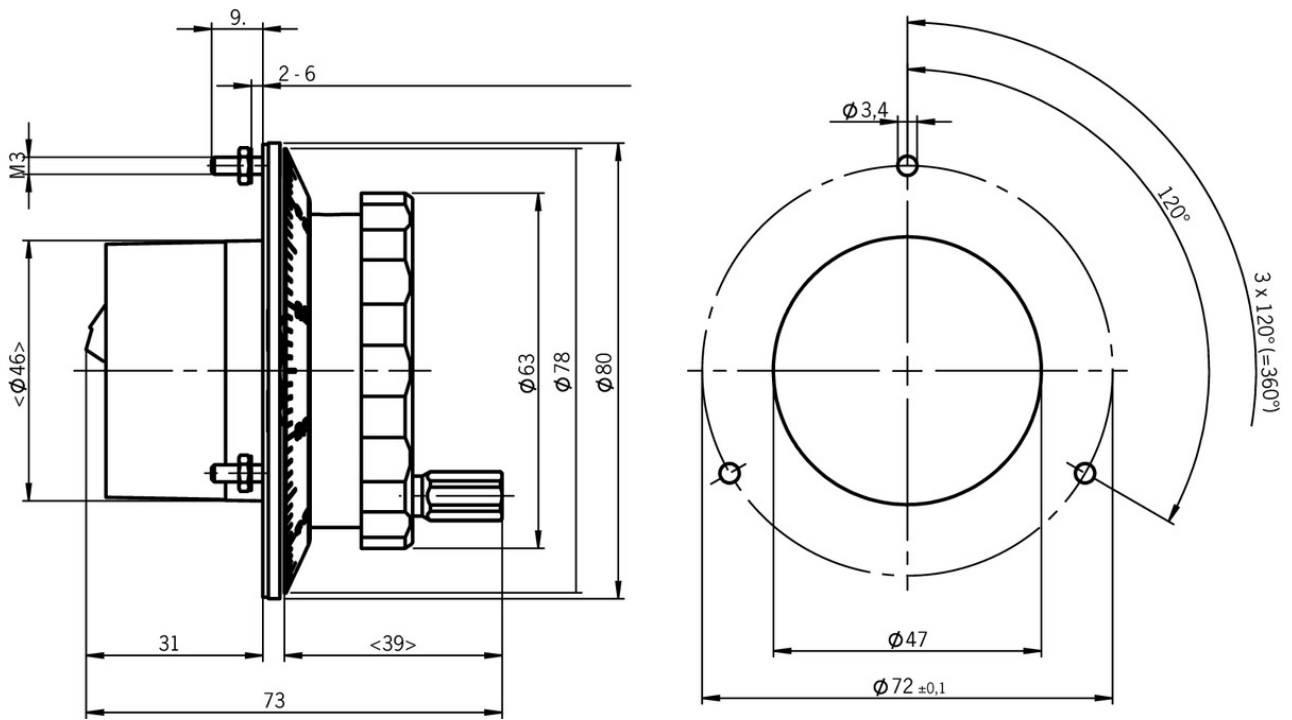
Miscellaneous

Detent mechanism	Magnetic
------------------	----------

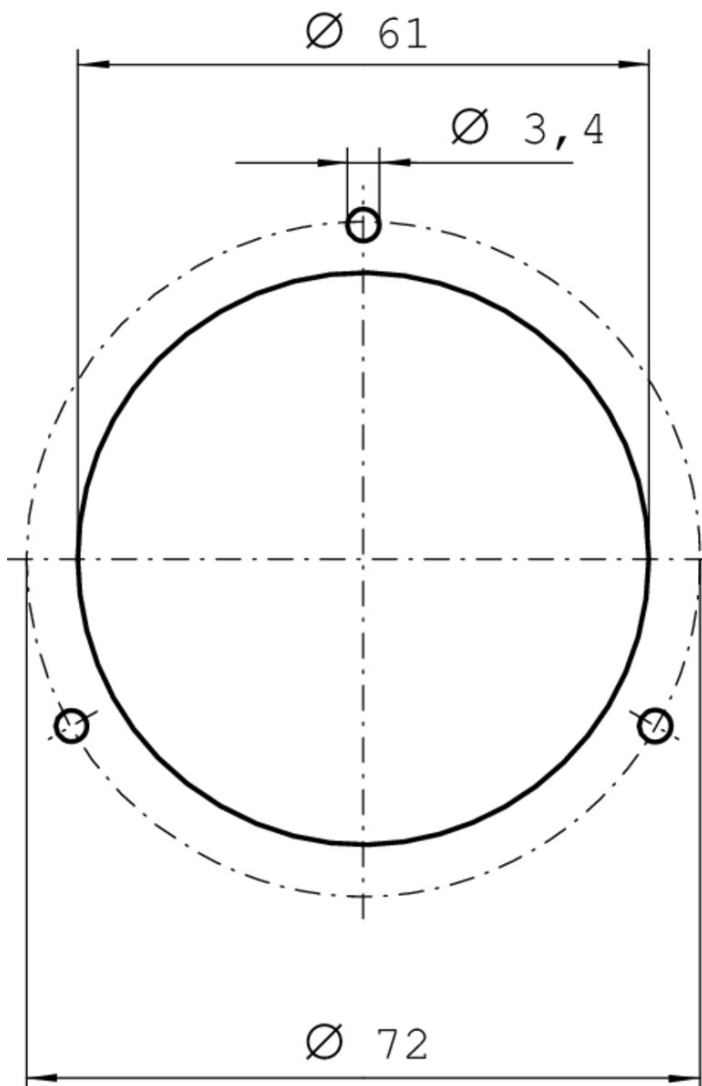
[1] Without dial

[2, 3] On the front

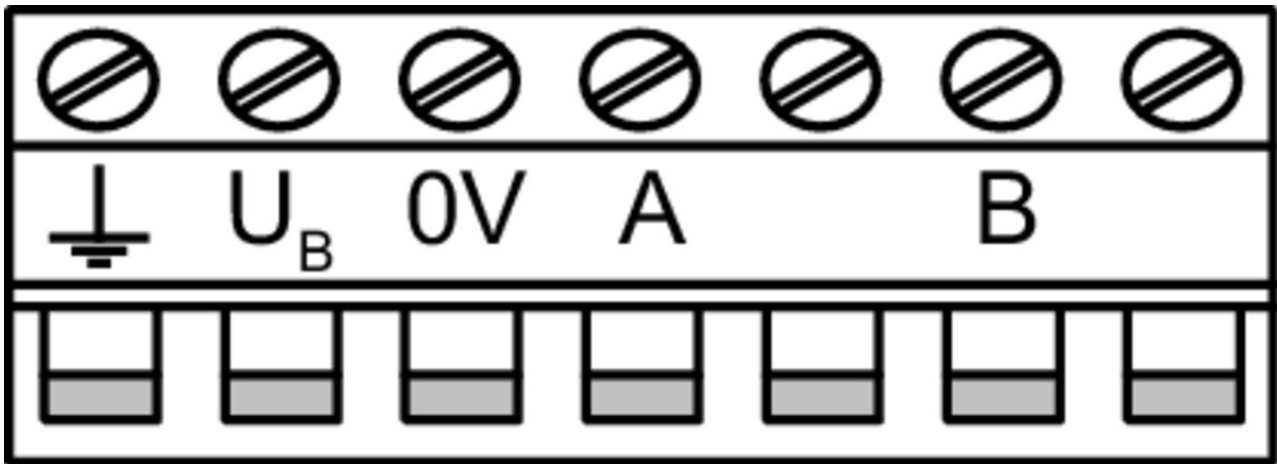
Dimension drawing



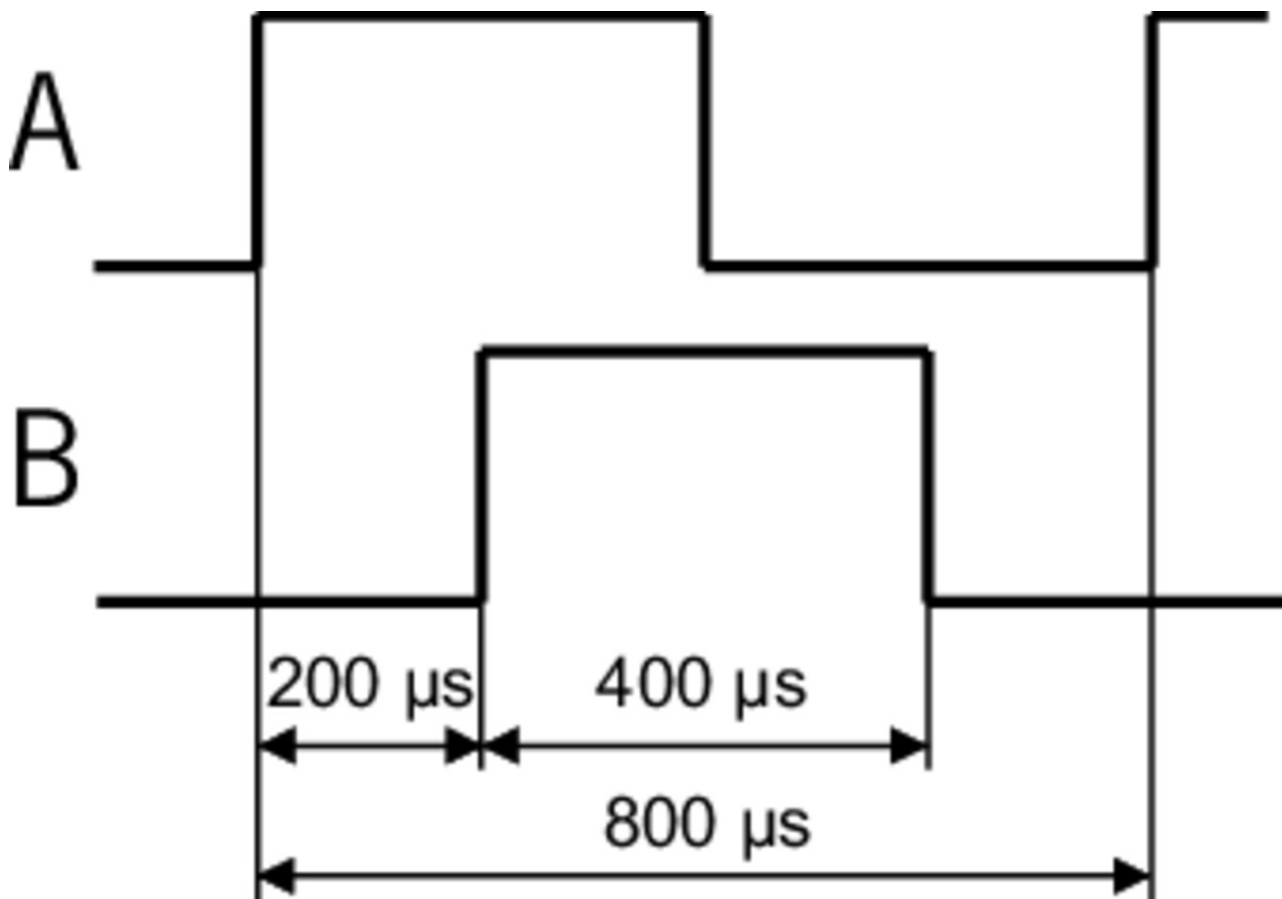
Dimension drawing



Terminal assignment








Ausgangssignale









Instructions

Betriebsanleitung Elektronisches Handrad HKC

Betriebsanleitung Elektronisches Handrad HKC	104604	03-07/15		 1.1 MB
Mode d'emploi Manivelle électronique HKC				
Istruzioni di impiego Volantino elettronico HKC				
Operating instructions Electronic handwheel HKC				

Catalogs

Handbediengeräte/Handräder Hand-Held Pendant Stations/Handwheels Pupitres portables/Manivelles

	Doc. no.	Version	Language	Download
Handbediengeräte/Handräder	098619	08-09/17		 3.0 MB
Pupitres portables/Manivelles	111529	08-09/17		 3.0 MB
Hand-Held Pendant Stations/Handwheels	099443	08-09/17		 3.0 MB

CAD data

CAD data for this item on TraceParts