

ITEM 087733 HKC100S100A05

Description	Technical data	Accessories	Downloads
-------------	----------------	-------------	-----------



Features

- › 100 detent positions per revolution
- › Wear-free magnetic detent mechanism
- › 100 pulses per revolution
- › Flat design

Notes

- › Output A05 suitable for Siemens control systems with RS422 input

Approvals



Mechanical values and environment

Material	Aluminum
----------	----------

Weight	Net	0.095 [1]
Ambient temperature		0 ... 50 °C
Atmospheric humidity (condensation not permissible)		0.8
Degree of protection	IEC 529 acc. to NEMA 250	IP65 [2] 250-12 [3]
Resilience to vibration	Vibration (3 axes) Shock (3 axes)	DIN/IEC 68-2-6 DIN/IEC 68-2-27
Tightening torque		max.0,25 Nm
Connection		Screw terminal 7-pole
Detent positions per revolution		100

Electrical connection ratings

Operating voltage DC		5 V DC -5% ... 5%
Current consumption	Without load	max.80 mA
EMC protection requirements	Acc. to CE	EN 61000-6-2, EN 61000-6-4
Type of output		RS422
Connection cross-section		0,08 ... 1,5 mm ²
Connection cross-section, AWG		28 ... 16 AWG
Pulses per revolution		2x100
Output voltage		In accordance with RS422A

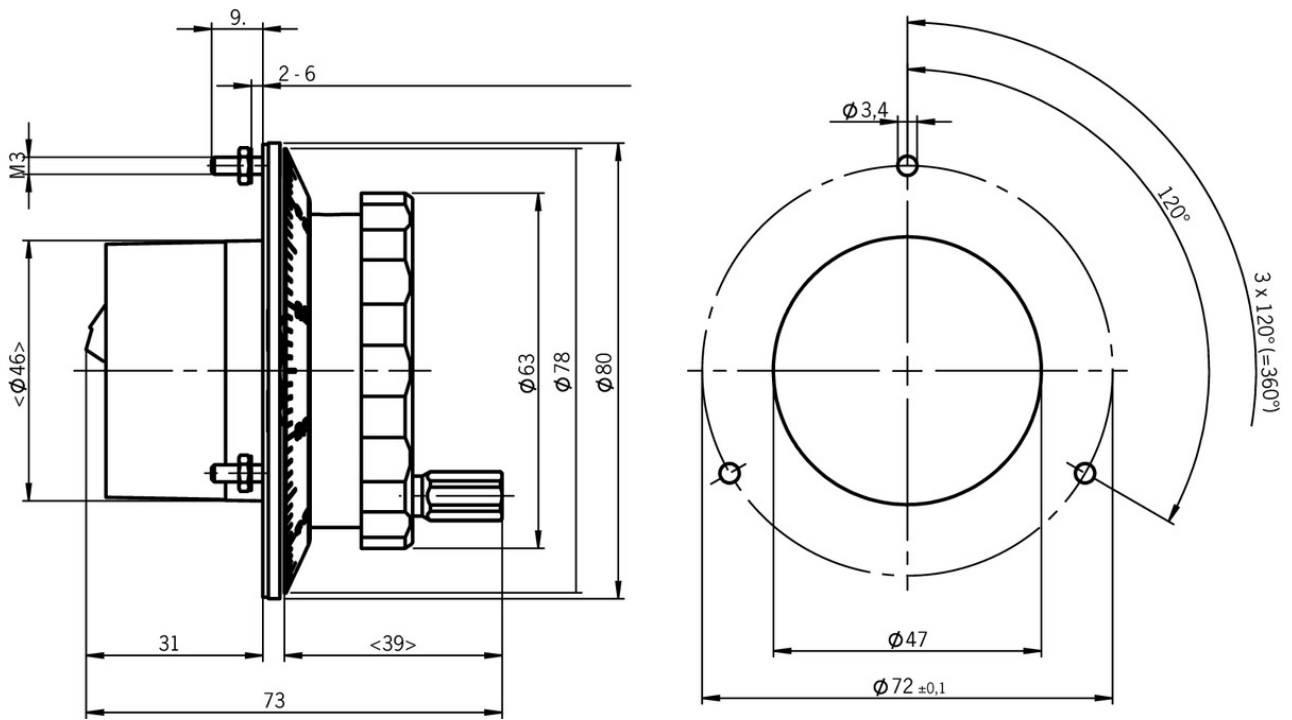
Miscellaneous

Detent mechanism		Magnetic
------------------	--	----------

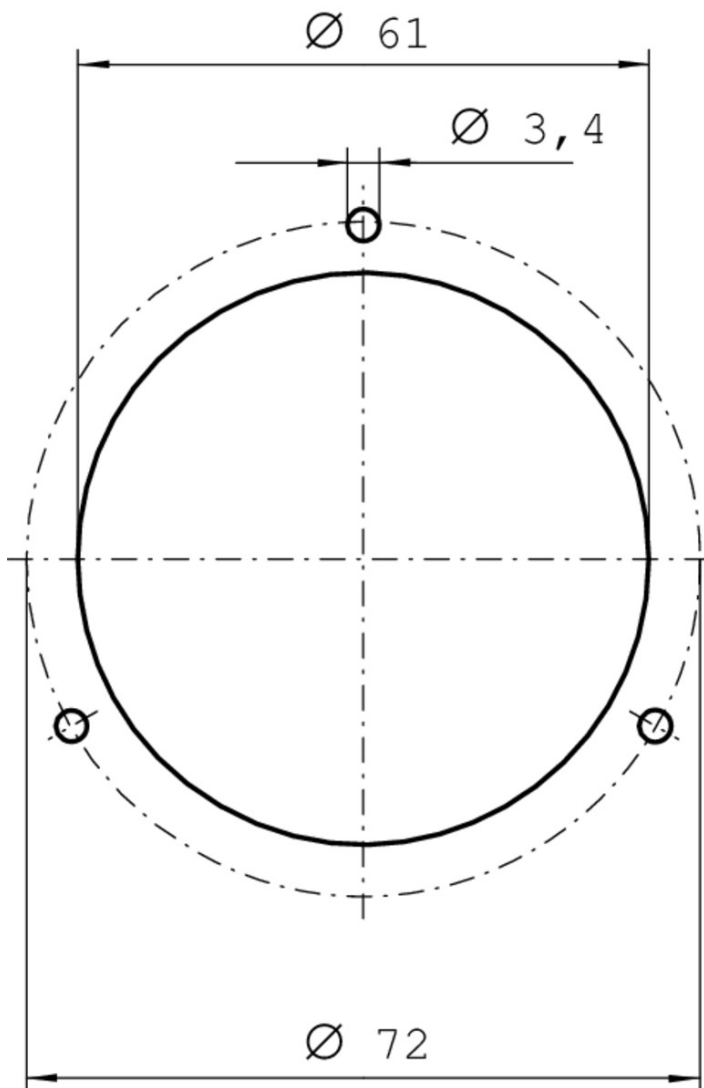
[1] Without dial

[2, 3] On the front

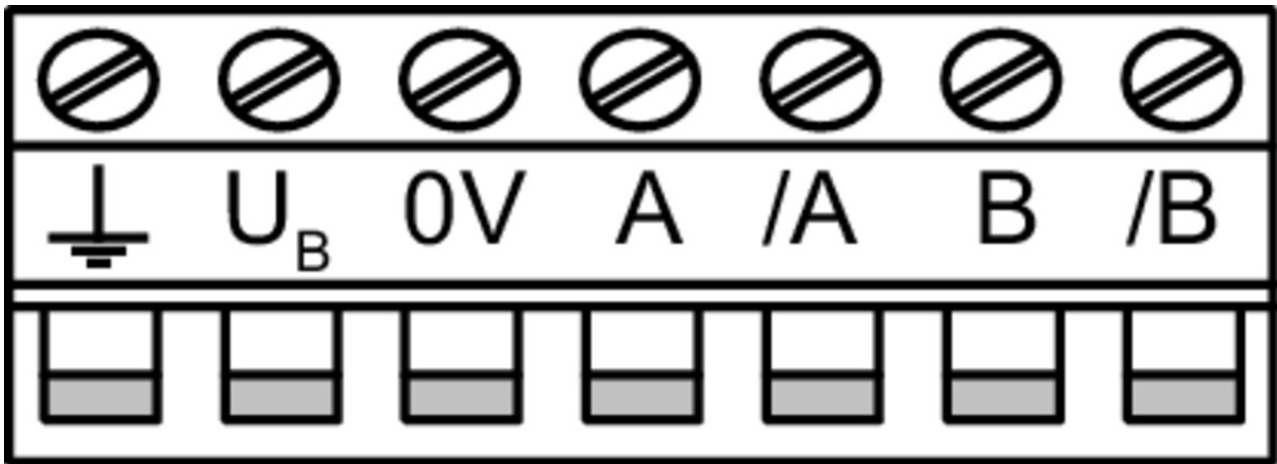
Dimension drawing



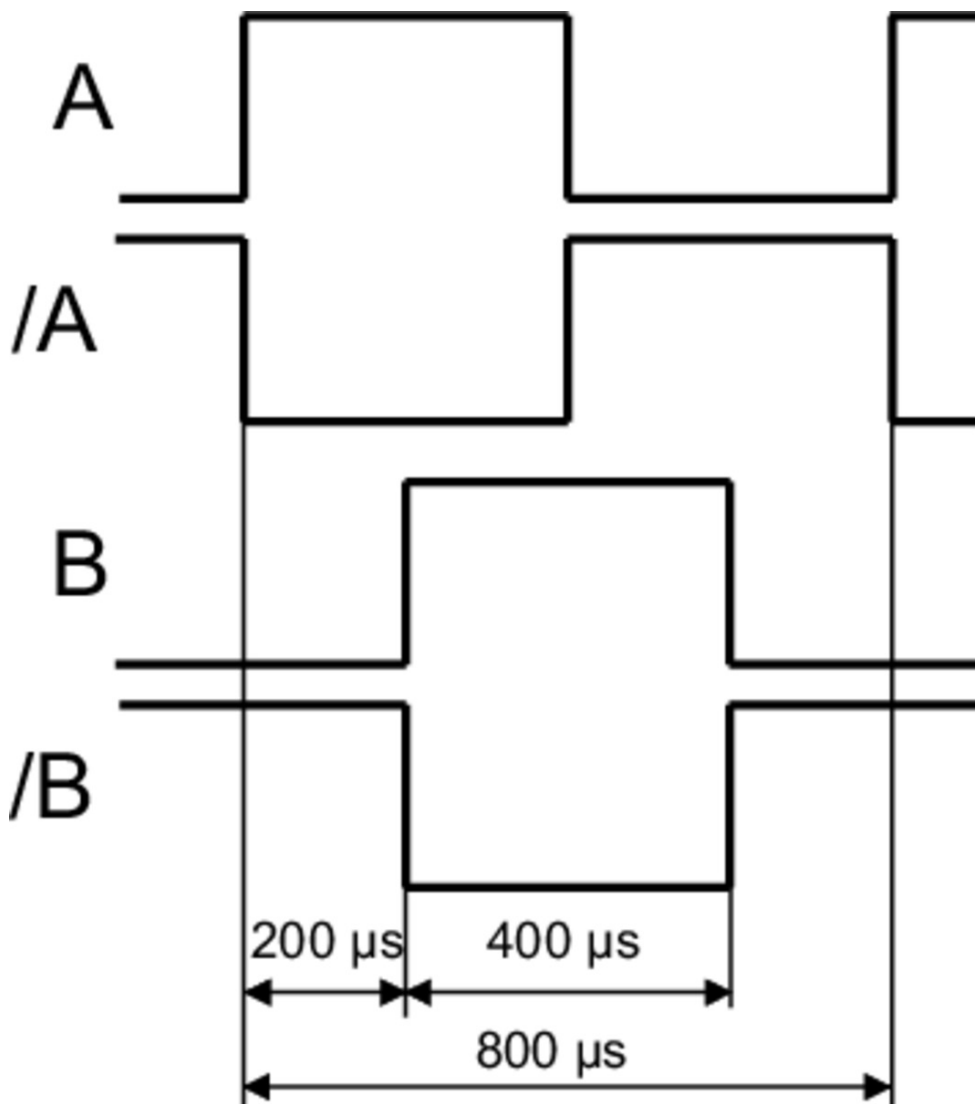
Dimension drawing



Terminal assignment



Ausgangssignale









Instructions

▼ Betriebsanleitung Elektronisches Handrad HKC

	Doc. no.	Version	Language	Download
Betriebsanleitung Elektronisches Handrad HKC	104604	03-07/15		 1.1 MB
Mode d'emploi Manivelle électronique HKC				
Istruzioni di impiego Volantino elettronico HKC				
Operating instructions Electronic handwheel HKC				

Catalogs

▼ Handbediengeräte/Handräder Hand-Held Pendant Stations/Handwheels Pupitres portables/Manivelles

	Doc. no.	Version	Language	Download
Handbediengeräte/Handräder	098619	08-09/17		 3.0 MB
Pupitres portables/Manivelles	111529	08-09/17		 3.0 MB
Hand-Held Pendant Stations/Handwheels	099443	08-09/17		 3.0 MB

CAD data

CAD data for this item on TraceParts