

**ITEM 087739 HKC100S100G24**

Description	Technical data	Accessories	Downloads
-------------	----------------	-------------	-----------



**Features**

- › 100 detent positions per revolution
- › Wear-free magnetic detent mechanism
- › 100 pulses per revolution
- › Flat design

**Notes**

- › Output A05 suitable for Siemens control systems with RS422 input
- › Output G05 suitable for Fanuc control systems

**Approvals**



**Mechanical values and environment**

Material	Aluminum
Weight	Net 0.095 <b>[1]</b>
Ambient temperature	0 ... 50 °C
Atmospheric humidity (condensation not permissible)	0.8
Degree of protection	IEC 529 IP65 <b>[2]</b> acc. to NEMA 250 250-12 <b>[3]</b>
Resilience to vibration	Vibration (3 axes) DIN/IEC 68-2-6 Shock (3 axes) DIN/IEC 68-2-27
Tightening torque	max.0,25 Nm
Connection	Screw terminal 7-pole
Detent positions per revolution	100

### Electrical connection ratings

Operating voltage DC	10 ... 30 V DC
Current consumption	Without load max.80 mA
EMC protection requirements	Acc. to CE EN 61000-6-2, EN 61000-6-4
Type of output	Push-pull
Connection cross-section	0,08 ... 1,5 mm <sup>2</sup>
Connection cross-section, AWG	28 ... 16 AWG
Pulses per revolution	2x100
Output voltage	High(1) at 20 mAmin.Ub-3 V DC Low(0) at 20 mAmax.3 V DC

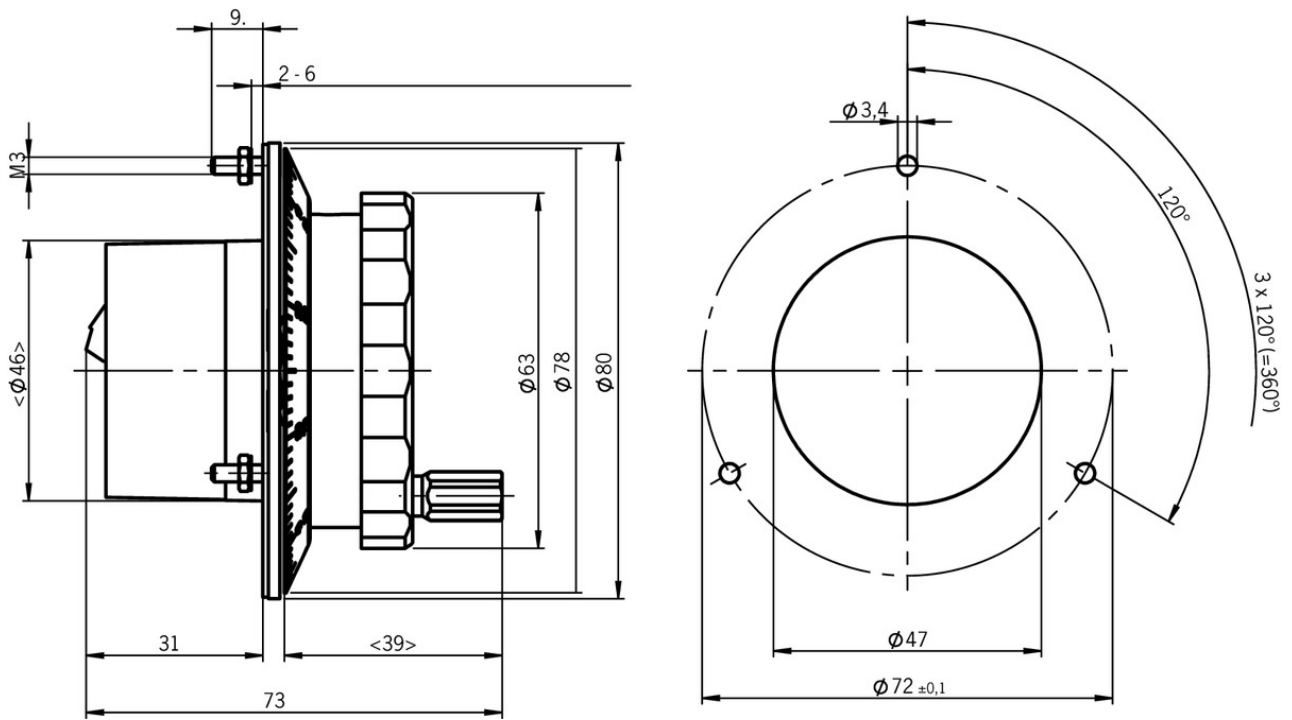
### Miscellaneous

Detent mechanism	Magnetic
------------------	----------

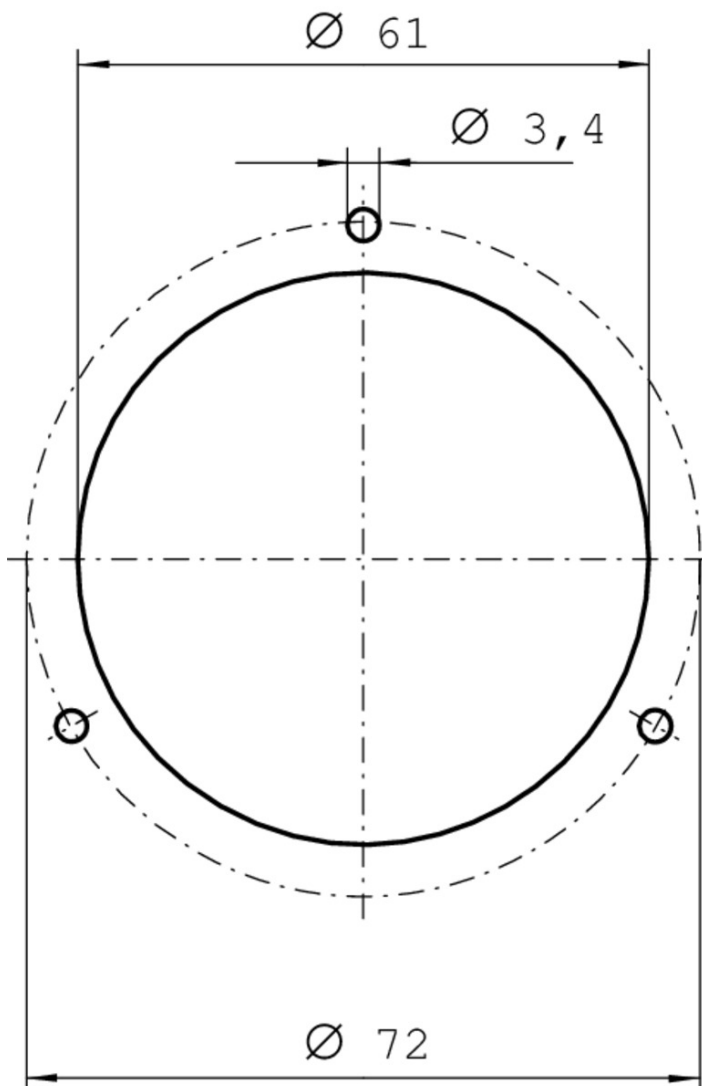
**[1]** Without dial

**[2, 3]** On the front

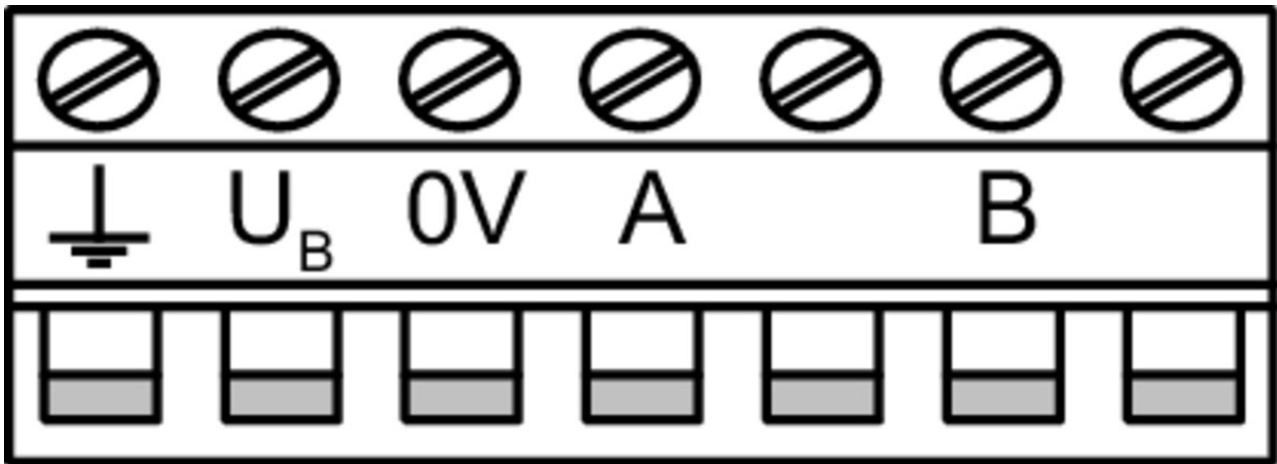
**Dimension drawing**



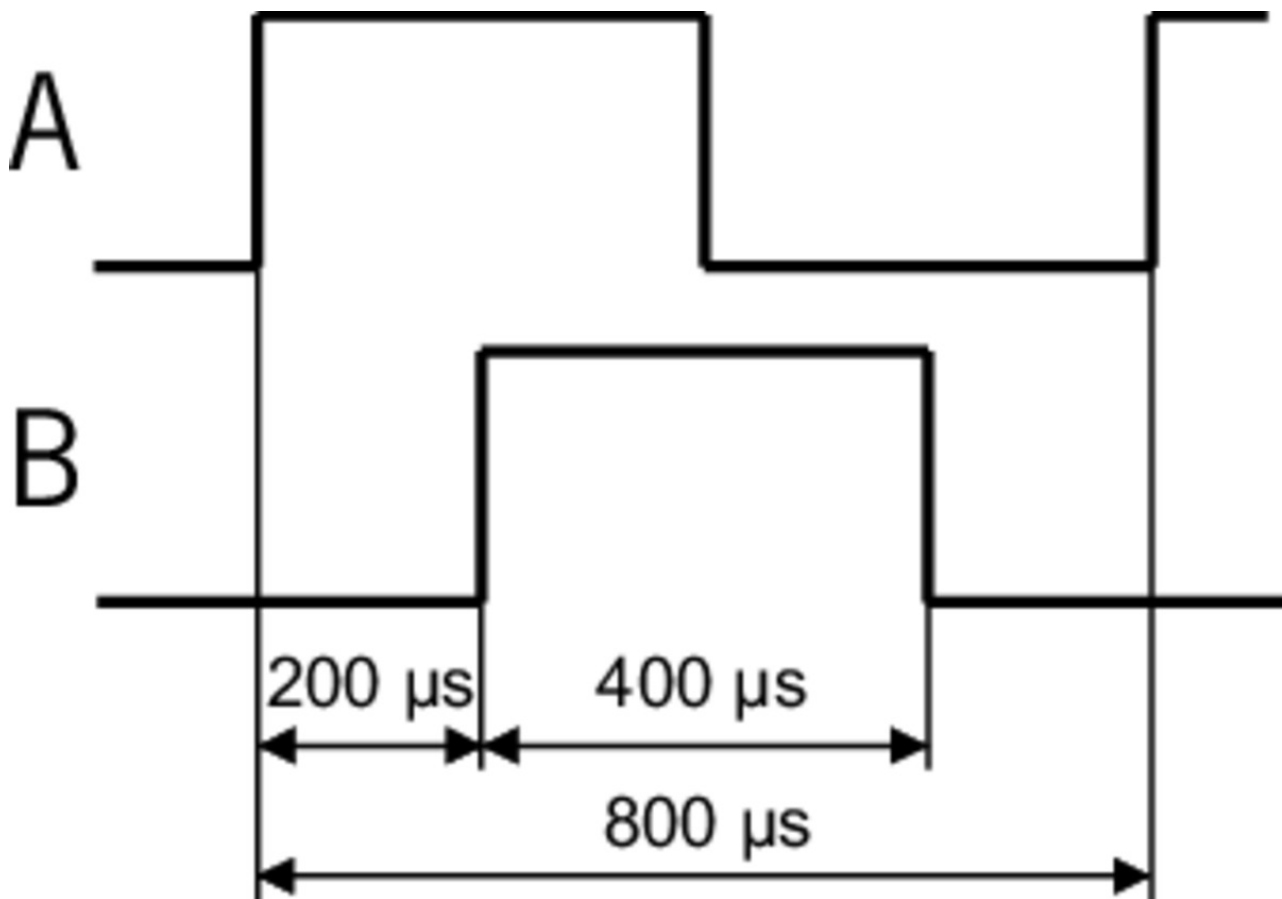
**Dimension drawing**



## Terminal assignment





## Ausgangssignale






## Instructions

Betriebsanleitung Elektronisches Handrad HKA/HKC







Betriebsanleitung Elektronisches Handrad HKA/HKC	089117	05-12/07	   	 0.7 MB
Mode d'emploi de la manivelle électronique HKA/HKC				
Istruzioni di impiego volantino elettronico HKA/HKC				
Operating instructions for electronic handwheel HKA/HKC				

Betriebsanleitung Elektronisches Handrad HKC

	Doc. no.	Version	Language	Download
Betriebsanleitung Elektronisches Handrad HKC Mode d'emploi Manivelle électronique HKC Istruzioni di impiego Volantino elettronico HKC Operating instructions Electronic handwheel HKC	104604	03-07/15	   	 1.1 MB

### Catalogs

Handbediengeräte/Handräder Hand-Held Pendant Stations/Handwheels Pupitres portables/Manivelles

	Doc. no.	Version	Language	Download
Handbediengeräte/Handräder	098619	08-09/17		 3.0 MB
Pupitres portables/Manivelles	111529	08-09/17		 3.0 MB
Hand-Held Pendant Stations/Handwheels	099443	08-09/17		 3.0 MB

### CAD data

CAD data for this item on TraceParts