

## ITEM 156124 ESH-ARO-20A-1204

Description	Technical data	Accessories	Downloads
-------------	----------------	-------------	-----------



### Features

- › Safety hinge with integrated safety function
- › Operating point can be readjusted
- › Ideal use with hinged doors
- › Suitable for profile mounting
- › Connection via plug connector M12 in accordance with AIDA, wiring and operation with ET 200 Pro

The safety hinges ESH are safety devices for monitoring movable guards, such as doors or covers on machinery or systems.  
On the safety hinges ESH-ARO... the operating point can be adjusted as often as necessary.

### Important:

During mounting the axes of the hinges used must be exactly aligned.

### Switching element

**20** Snap-action switching contact 2 NC ⊕

## Approvals



## Mechanical values and environment

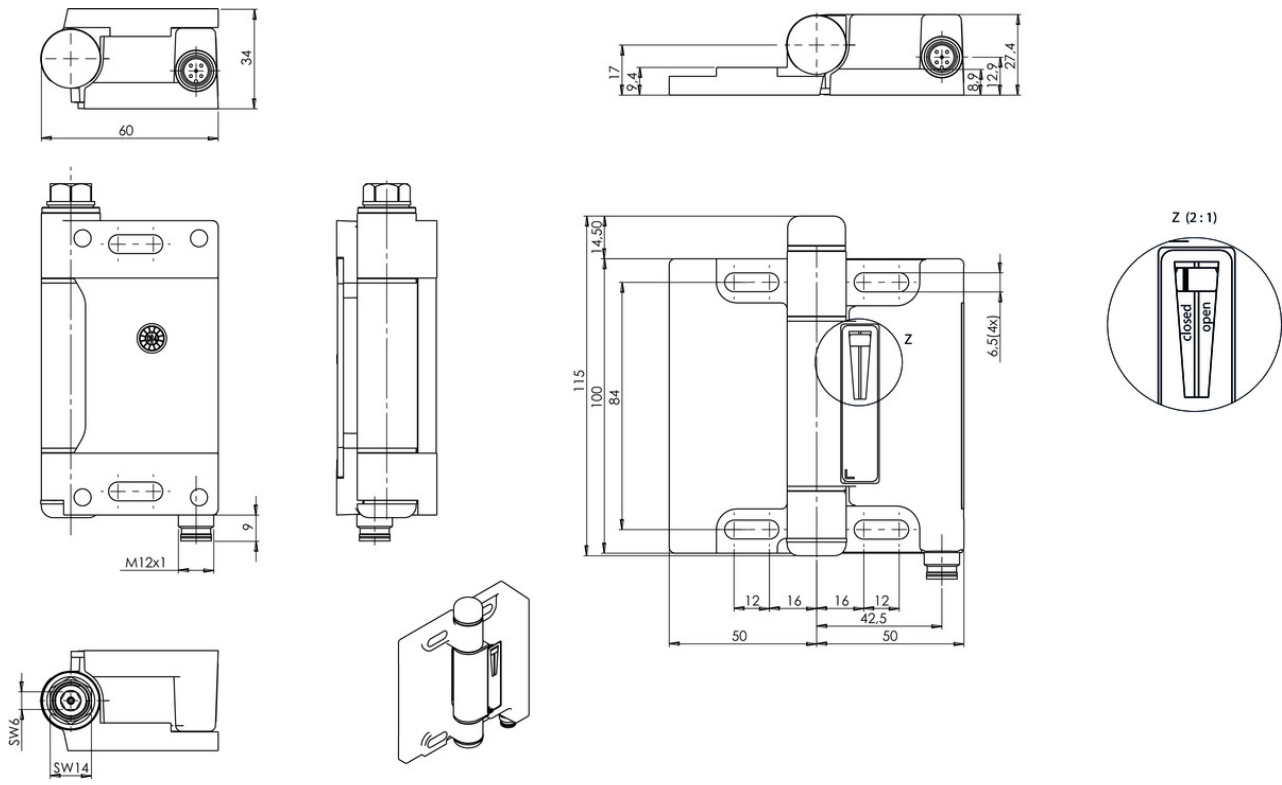
Housing material	Die-cast zinc, nickel-plated
Weight	
	Net 0,8 kg
Ambient temperature	-25 ... 70 °C
Degree of protection	IP67
Mechanical life	1 x 10 <sup>6</sup>
Max. load as per mechanical life test according to EN 1935	Grade 12 <sup>[1]</sup>
Contact material	Silver
Switching principle	Snap-action switching contact
Installation position	Any
Number of door position positively driven contacts	2
Actuation frequency	
	operating cycles max.1200 1/h
Operating point	4° from fixing point
Positively driven	Approx. 10° from fixing point
Pivoting angle	-10 ... 180 °

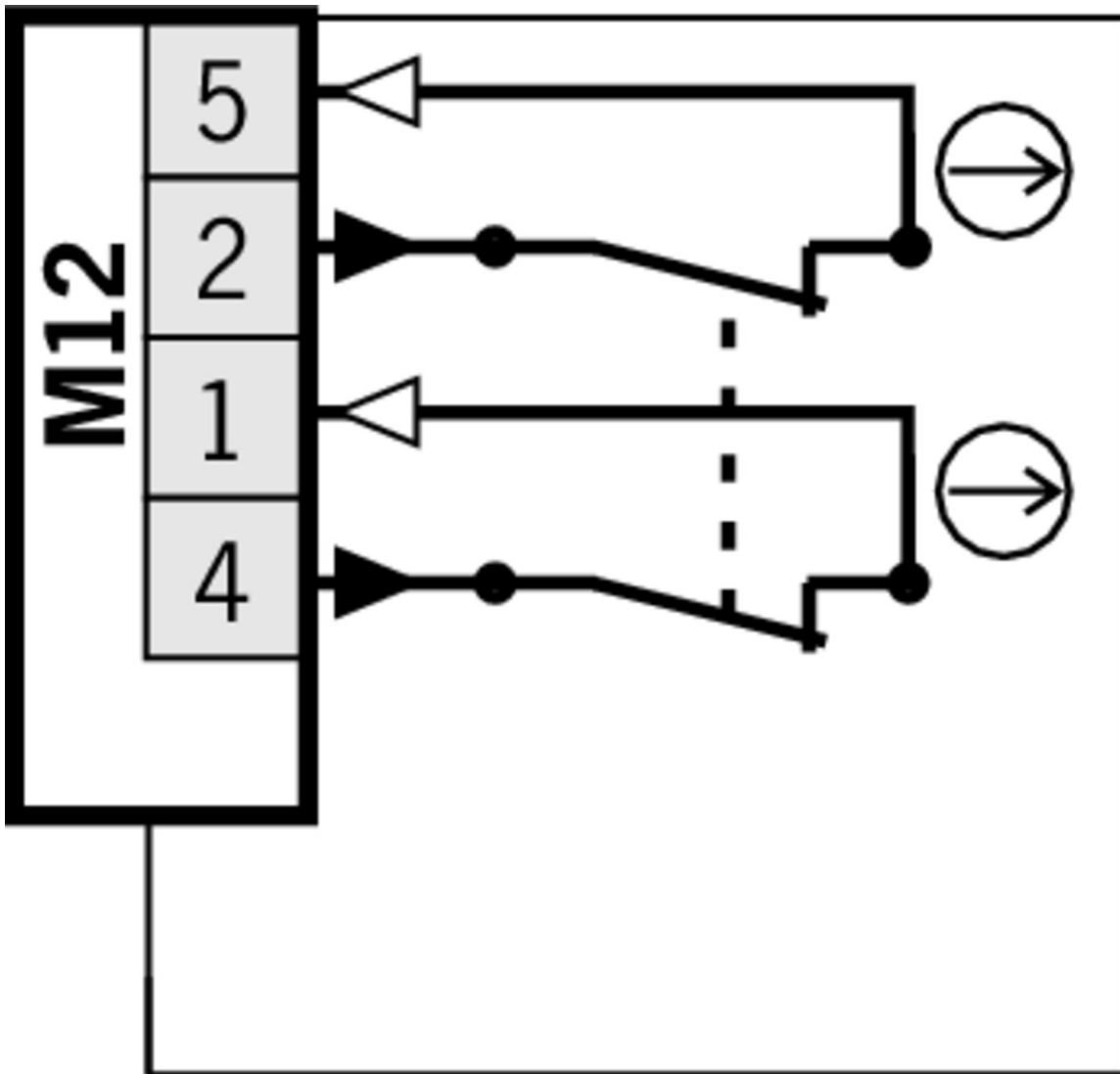
## Electrical connection ratings

Rated thermal current I <sub>th</sub>	3 A
Utilization category according to EN 60947-5-1	
	AC-15 1.5A 30V
	DC-13 2.0A 24V
Short circuit protection according to IEC 60269-1	2A gG
Rated insulation voltage U <sub>i</sub>	60 V
Rated impulse withstand voltage U <sub>imp</sub>	2,5 kV
Switching current	
	at 24V min.1 mA
Degree of contamination (external, according to EN 60947-1)	
	Industry 3

[1] 100kg door weight

### Dimension drawing





### Function expansion

- ✓ ESH matching hinge (without safety function)



**096007** ESH-PRO

### Connection material

- ✓ Connection cable with plug connector M12, 5-pin, 10m



**100184** C-M12F05-05X034PV10,0-MA-100184

#### ✓ Features

- › M12 female plug, 5-pin
- › Straight plug connector
- › PVC cable
- › Cable length 10 m
- › With flying lead

- ▼ Connection cable with plug connector M12, 5-pin, 20m



**100185** C-M12F05-05X034PV20,0-MA-100185

▼ Features

- › M12 female plug, 5-pin
- › Straight plug connector
- › PVC cable
- › Cable length 20 m
- › With flying lead

- ▼ Connection cable with angled plug connector M12, 5-pin, 10m



**113190** C-M12F05-05X025PU10,0-MA-113190

▼ Features

- › M12 female plug, 5-pin
- › Angled plug connector
- › PUR cable
- › Cable length 10 m
- › Cable exit C (left)
- › With flying lead



**113187** C-M12F05-05X025PU10,0-MA-113187

▼ Features

- › M12 female plug, 5-pin
- › Angled plug connector
- › PUR cable
- › Cable length 10 m
- › Cable exit A (right)
- › With flying lead

## Instructions

- ▼ Betriebsanleitung Schaltscharnier ESH wiedereinstellbar

	Doc. no.	Version	Language	Download
Betriebsanleitung Schaltscharnier ESH wiedereinstellbar	109804	04-03/16		1.8 MB
Operating Instructions Safety Hinge ESH Readjustable				
Manual de instrucciones Bisagra ESH reajustable				
Mode d'emploi Charnière ESH réglable				
Istruzioni di impiego Finecorsa a cerniera ESH reimpostabile				

## Declaration of conformity


- ▼ EU-Konformitätserklärung

Doc. no. Version Language Download

EU-Konformitätserklärung  
EU declaration of conformity  
Declaración UE de conformidad  
Déclaration UE de conformité  
Dichiarazione di conformità

2097676 08-04/17



 0.2 MB