

ITEM 117024 MGB-L2B-PNC-R-117024

Description	Technical data	Accessories	Downloads
-------------	----------------	-------------	-----------



Features

- › Guard locking with guard lock monitoring
- › Emergency stop according to ISO 13850, illuminated
- › 3 pushbuttons illuminated with symbol
- › Push-pull plug
- › Including terminal plug for enabling switch (RC12, 12-pin)
- › Pre-assembled on mounting plates
- › Multicode

Profinet connection

Connection via push-pull plugs according to IEC 61076-3-117

Flexible usage as interlocking or guard locking

By means of the corresponding evaluation of the safe device data by the control system, usage can be either as interlocking or guard locking (with or without monitoring).

Illuminated emergency stop

Emergency stop with illumination that can be controlled as required.

Approvals



Mechanical values and environment

Housing material	Reinforced plastic, die-cast zinc nickel-plated, stainless steel
Weight	Net 3,1 kg
Ambient temperature	At $U_B = 24V$ DC -20 ... 55 °C
Degree of protection	IP54
Resilience to vibration	In accordance with EN 60947-5-3
Mechanical life	1×10^6
In case of use as door stop, and 1 Joule impact energy	$0,1 \times 10^6$
Installation position	Door hinge DIN right
Reaction time	
Emergency stop / machine stop	Switch-off timemax.250 ms [1]
Enabling switch	Switch-off timemax.250 ms [2]
Door position	Switch-off timemax.550 ms [3]
Bolt position	Switch-off timemax.550 ms [4]
Guard locking	Switch-off timemax.550 ms [5]
Switching frequency	0,25 Hz
Connection	
According to IEC 61076-3-117 variant 14, screened, Profinet I/O cable, at least cat. 5e	Push-pull power [6] Push-pull RJ45 [7]
	Plug connector RC12 [8]
Guard locking principle	Open-circuit current principle
Locking force F_{Zh}	2000 N

Electrical connection ratings

Current consumption	max.500 mA
Rated insulation voltage U_i	75 V
Rated impulse withstand voltage U_{imp}	0,5 kV
Maximum feed-in current in the connection block	X1 max.4000 mA
EMC protection requirements	In accordance with EN 61000-4 and EN 61326-3-1

Degree of contamination (external, according to EN 60947-1)	3
Connecting cable	
Ethernet	Profinet I/O cable, at least cat. 5e
Safety class	III
Transponder coding	Multicode
	Power supply X1
Operating voltage DC	
L1	24 V DC -15% ... 10% ^[9]
Auxiliary voltage DC	
L2	24 V DC -15% ... +10% ^[10]
Fusing	
external	Slow blow min. 1 A

Interface, bus

Data interface	
Ethernet	
Data protocol	
Bus protocol	Profinet (IEC 61158 type 10)
Safety protocol	Profisafe (IEC 61784-3-3)

Operating distance

Assured switch-off distance S_{ar}	
Door position	max. 65 mm

Controls and indicators

Assignment diagram	B1
Assignment diagram	L0
Control/indicator	
	Position 90
Version	Illuminated push buttons
Special features	Printed
Color	white
Switching element	1NO
Slide-in label	
Control/indicator	
	Position 91
Version	Illuminated push buttons
Special features	Printed
Color	Yellow
Switching element	1NO
Slide-in label	

Control/indicator	
	Position 92
Version	Illuminated push buttons
Special features	Printed
Color	Blue
Switching element	1NO
Slide-in label	
Control/indicator	
	Position 94
Version	Emergency stop illuminated
Special features	With adhesive ring
Color	
Switching element	2 pos. driven NC

Miscellaneous

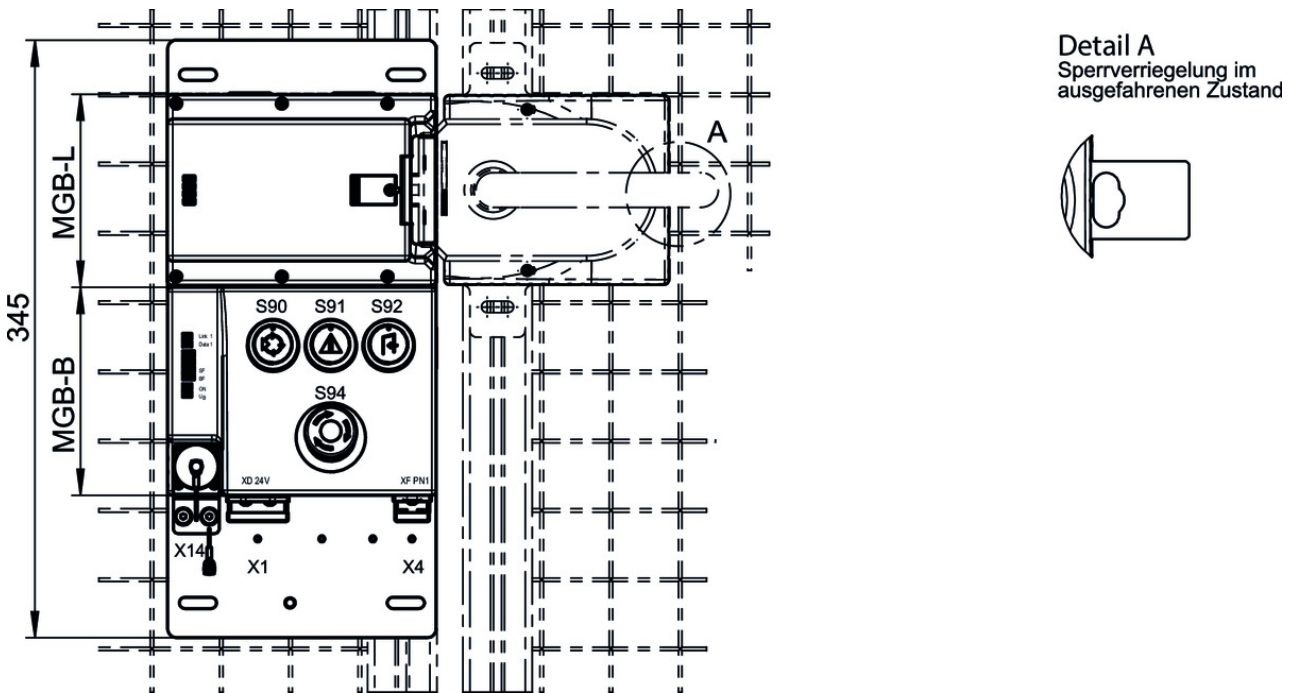
Product version number	V3.30.11
------------------------	----------

Reliability values acc. to EN ISO 13849-1

		Monitoring of guard locking and the safety guard position
Category		4
Performance Level		PL e
PFH _D		4.07×10^{-8} [11]
Diagnostic Coverage (DC)		99
		Emergency stop
B10 _D	Emergency stop	0.1×10^6
		Emergency-stop evaluation
Category		4
Performance Level		PL e
PFH _D		4.1×10^{-8}
		Enabling switch
B10 _D	Enabling switch	According to manufacturer's specifications
		Enabling switch evaluation
Category		4
Performance Level		PL e
PFH _D		4.1×10^{-8}
Safety Integrity Level		SIL 3 (EN 62061:2005)
Mission time		20

- [1, 2, 3, 4, 5] The reaction time is the max. time between the change in the input status and the deletion of the corresponding bit in the bus protocol.
- [6] X1 (The document PROFINET "Cabling and Interconnection Technology" from the PNO aids in the correct selection of wiring.)
- [7] X4 (The document PROFINET "Cabling and Interconnection Technology" from the PNO aids in the correct selection of wiring.)
- [8] X14
- [9] (Reverse polarity protected, regulated, residual ripple <5%, PELV)
- [10] The auxiliary voltage is not required for the MGB system
- [11] Fixed failure rate without consideration of faults in wearing parts.

Dimension drawing



Miscellaneous accessories

Lens set 5 colors



120344 AY-SET-LNS-0001-120344

Lens set labeled



120377 AY-SET-LNS-SY01-120377



126158 AY-SET-LNS-SY03-126158



125359 AY-SET-LNS-SY02-125359

▼ Lens set 6 colors



120378 AY-SET-LNS-0002-120378

▼ Lens set, three colors



158307 AY-SET-LNS-SY04-158307

Instructions

▼ Betriebsanleitung Sicherheitssysteme MGB-L..B-PN-... (PROFINET) mit Datenstruktur Typ B ab V3.30.0

	Doc. no.	Version	Language	Download
Betriebsanleitung Sicherheitssysteme MGB-L..B-PN-... (PROFINET) mit Datenstruktur Typ B ab V3.30.0	115174	07-02/15		3.2 MB
Operating Instructions Safety Systems MGB-L..B-PN-... (PROFINET) with Data Structure Type B from V3.30.0	115174	07-02/15		3.2 MB

▼ Sicherheitsinformation (Teil der Betriebsanleitung Sicherheitssystem MGB-L.B-PN-... (PROFINET)) ab V3.30.0

	Doc. no.	Version	Language	Download
Sicherheitsinformation (Teil der Betriebsanleitung Sicherheitssystem MGB-L.B-PN-... (PROFINET)) ab V3.30.0 Safety Information (Part of the Operating Instructions Safety System MGB-L.B-PN-... (PROFINET)) from V3.30.0	123621	02-03/15	 	0.2 MB

Application example

▼ Anschluss MGB-L1B-PN... an Siemens S7 315F (TIA Portal V13)






	Doc. no.	Version	Language	Download
Anschluss MGB-L1B-PN... an Siemens S7 315F (TIA Portal V13)	AP000226	01-02/17		1.5 MB
Connecting MGB-L1B-PN... to Siemens S7 315F (TIA Portal V13)	AP000226	01-02/17		1.7 MB

▼ Anschluss MGB-L2B-PN... an Siemens S7 315F

	Doc. no.	Version	Language	Download
Anschluss MGB-L2B-PN... an Siemens S7 315F	AP000222	02-09/16		2.0 MB
Connection of MGB-L2B-PN... to Siemens S7 315F	AP000222	02-09/16		1.6 MB

Declaration of conformity

 EU-Konformitätserklärung

	Doc. no.	Version	Language	Download
EU-Konformitätserklärung	2123624	06-01/17		 0.3 MB
Declaración UE de conformidad				
Déclaration UE de conformité				
Dichiarazione di conformità				
EU declaration of conformity			