

## ITEM 119844 RPS-M-3131SC3005FM5

Description	Technical data	Accessories	Downloads
-------------	----------------	-------------	-----------



### Features

- › Metal housing
- › Emergency stop device with detent mechanism according to EN ISO 13850 and EN 60204-1
- › Clamping head for pull rope
- › Indication of correct rope tension
- › Plug connector M12 5-pin
- › Switching elements with 4 switching contacts

### Switching elements

**3131** Slow-action switching contact 2 NC  $\ominus$  + 2 NO

### Approvals



## Mechanical values and environment

Housing material	Die-cast aluminum
Weight	
Net	1 kg
Ambient temperature	-25 ... 80 °C
Degree of protection	IP67
Mechanical life	0,1 x 10 <sup>6</sup>
Switching principle	Slow-action switching contact
Rope diameter	2 ... 5 mm
Installation position	Any
Number of positively driven contacts	2
Connection	Plug connector M12 [1]
Actuation frequency	max.1200 1/h
Actuating force	300 N

## Electrical connection ratings

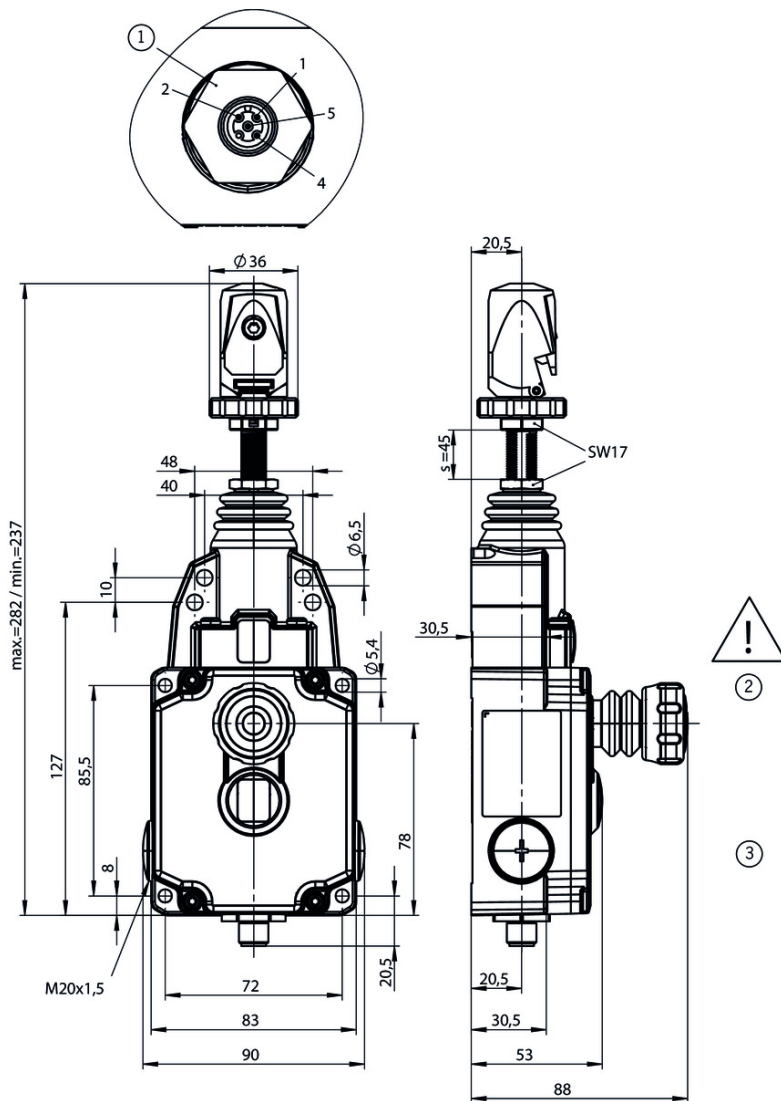
Rated thermal current I <sub>th</sub>	4 A
Utilization category according to EN 60947-5-1	
AC-15	3A 50V
DC-13	0.27A 50V
Short circuit protection according to IEC 60269-1	
(Fuse)	4A gG
Rated insulation voltage U <sub>i</sub>	50 V
Rated impulse withstand voltage U <sub>imp</sub>	1,5 kV
Switching current	
at 24V	min.10 mA

## Miscellaneous

Additional feature	Emergency stop function
--------------------	-------------------------

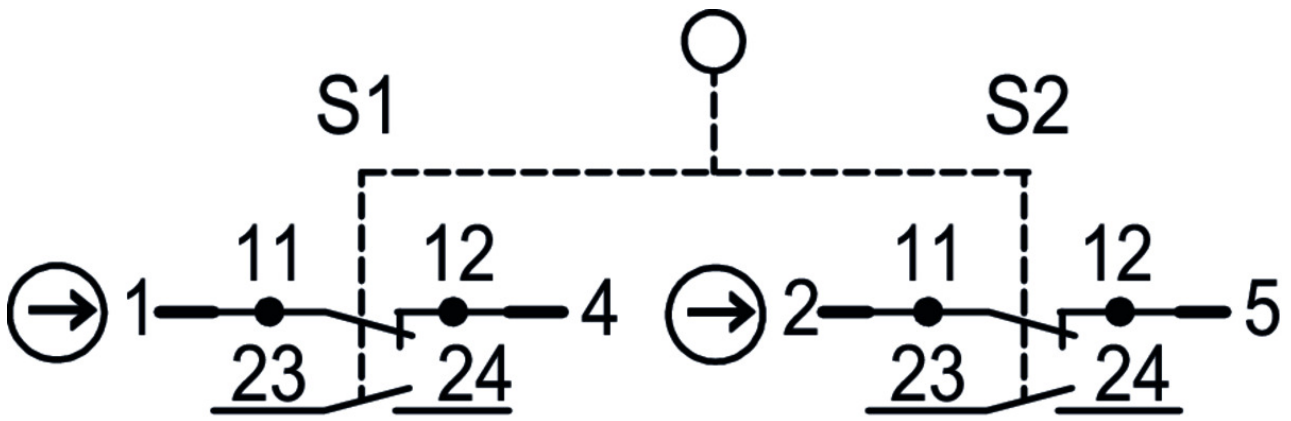
[1] 5-pin (without PE) – bottom

## Dimension drawing

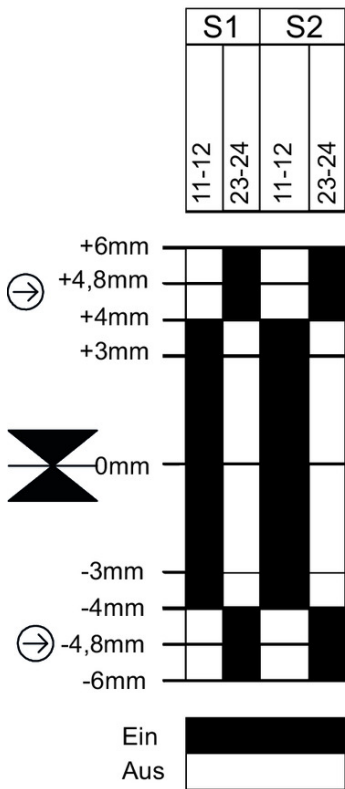


## Legende

- 1 Plug connector is not aligned
- 2 Attention: plug connector is not at ground potential. No earth conductor fitted!
- 3 Rope and accessories available on request. The specific degree of protection (IP code) only applies with cover closed and mating connector inserted



Travel diagram



**Legende**

Tolerance: Operating point  $\pm 0.5$  mm  
 Actuating force  $\pm 15\%$

## Mounting accessories

---

### ▼ Eyebolt for rope pull switches

**092495** RPS-O-8-50/V5

#### ▼ Features

- › Eyebolt with thread M8
- 

### ▼ Rope set for rope pull switches

**092496** RPS-RS/V5

#### ▼ Features

- › Rope set consisting of thimble and rope clamp
- 

### ▼ Pulley set RPS-PS/V5 for rope pull switches



**092501** RPS-PS/V5

#### ▼ Features

- › Pulley set consisting of rope pulley block and pulley support
- 

### ▼ Pulley set RPS-P/V1 for rope pull switches



**096251** RPS-P-7-70

#### ▼ Features

- › Pulley Ø 14mm
- 

### ▼ Turnbuckle for rope pull switches

**092498** RPS-B-6-60/V5

#### ▼ Features

- › Turnbuckle M6 x 60
- 

**092500** RPS-B-6-110

#### ▼ Features

- › Turnbuckle M6 x 100
- 

### ▼ Tensioning rope for rope pull switches



**092813** RPS-I-3-4/50M

#### ▼ Features

- › Tensioning rope with 50m length
- 



**092814** RPS-I-3-4/100M

#### ▼ Features

- › Tensioning rope with 100m length
-

▼ Tensioner spring for rope pull switches



**092138** RPS-W-300

▼ Features

- › Tensioner spring for tensile force 300 N

---

## Connection material

▼ Connection cable with straight plug connector M12, 5-pin, 5m



**113620** C-M12F05-05X034PU05,0-MA-113620

▼ Features

- › M12 female plug, 5-pin
- › Straight plug connector
- › PUR cable
- › Cable length 5 m
- › With flying lead



**100183** C-M12F05-05X034PV05,0-MA-100183

▼ Features

- › M12 female plug, 5-pin
- › Straight plug connector
- › PVC cable
- › Cable length 5 m
- › With flying lead

▼ Connection cable with straight plug connector M12, 5-pin, 10m



**113640** C-M12F05-05X034PU10,0-MA-113640

▼ Features

- › M12 female plug, 5-pin
- › Straight plug connector
- › PUR cable
- › Cable length 10 m
- › With flying lead

▼ Connection cable with straight plug connector M12, 5-pin, 20 m



**113682** C-M12F05-05X034PU20,0-MA-113682

▼ Features

- › M12 female plug, 5-pin
- › Straight plug connector
- › PUR cable
- › Cable length 20 m
- › With flying lead

▼ Connection cable with plug connector M12, 5-pin, 10m



**100184** C-M12F05-05X034PV10,0-MA-100184

▼ Features

- › M12 female plug, 5-pin

- › Straight plug connector
  - › PVC cable
  - › Cable length 10 m
  - › With flying lead
- 

▼ Connection cable with plug connector M12, 5-pin, 20m



**100185** C-M12F05-05X034PV20,0-MA-100185

▼ Features

- › M12 female plug, 5-pin
  - › Straight plug connector
  - › PVC cable
  - › Cable length 20 m
  - › With flying lead
- 

▼ Connection cable with 2 plug connectors M12, 5-pin, 5m



**119932** C-M12F05-05X034PU05,0-M12M05-119932

▼ Features

- › M12 female plug to M12 plug connector, 5-pin
  - › Straight female plug and plug connector
  - › PUR cable
  - › Cable length 5 m
- 



**100180** C-M12F05-05X034PV05,0-M12M05-100180

▼ Features

- › M12 female plug to M12 plug connector, 5-pin
  - › Straight female plug and plug connector
  - › PVC cable
  - › Cable length 5 m
- 

▼ Connection cable with 2 plug connectors M12, 5-pin, 10m



**119947** C-M12F05-05X034PU10,0-M12M05-119947

▼ Features

- › M12 female plug to M12 plug connector, 5-pin
  - › Straight female plug and plug connector
  - › PUR cable
  - › Cable length 10 m
- 



**100181** C-M12F05-05X034PV10,0-M12M05-100181

▼ Features

- › M12 female plug to M12 plug connector, 5-pin
  - › Straight female plug and plug connector
  - › PVC cable
  - › Cable length 10 m
- 

▼ Connection cable with 2 plug connectors M12, 5-pin, 20m



**119971** C-M12F05-05X034PU20,0-M12M05-119971

▼ Features

- › M12 female plug to M12 plug connector, 5-pin
- › Straight female plug and plug connector
- › PUR cable
- › Cable length 20 m



### 100182 C-M12F05-05X034PV20,0-M12M05-100182

#### Features

- › M12 female plug to M12 plug connector, 5-pin
- › Straight female plug and plug connector
- › PVC cable
- › Cable length 20 m

## Instructions

### Betriebsanleitung Seilzugschalter RPS...

	Doc. no.	Version	Language	Download
Betriebsanleitung Seilzugschalter RPS...	2090276	08-01/18		2.7 MB
Operating Instructions for Rope Pull Switches RPS...	2090276	08-01/18		2.7 MB

## Catalogs

### Not-Halt-Geräte/Seilzugschalter Emergency Stop Devices/Rope Pull Switches Dispositifs d'arrêt d'urgence/interrupteurs à câble Dispositivos de parada de emergencia / Interruptores de accionamiento por cable

	Doc. no.	Version	Language	Download
Not-Halt-Geräte/Seilzugschalter	106210	06-06/16		1.9 MB
Dispositifs d'arrêt d'urgence/interrupteurs à câble	116529	06-06/16		1.9 MB
Dispositivos de parada de emergencia / Interruptores de accionamiento por cable	116530	06-06/16		1.9 MB
Emergency Stop Devices/Rope Pull Switches	116448	06-06/16		1.9 MB

## Declaration of conformity

### EU-Konformitätserklärung

	Doc. no.	Version	Language	Download
EU-Konformitätserklärung Declaración UE de conformidad Déclaration UE de conformité Dichiarazione di conformità EU declaration of conformity	2091952	03-04/17	    	0.2 MB