

**ITEM 122860 RPS-M-3131SC175SFM5LL024C2424**

Description	Technical data	Accessories	Downloads
-------------	----------------	-------------	-----------



**Features**

- › Metal housing
- › Emergency stop device with detent mechanism according to EN ISO 13850 and EN 60204-1
- › Clamping head for pull rope
- › Indication of correct rope tension
- › Plug connector M12 5-pin
- › LED left
- › Switching elements with 4 switching contacts

**Switching elements**

**3131** Slow-action switching contact 2 NC  $\ominus$  + 2 NO

**Approvals**



## Mechanical values and environment

Housing material	Die-cast aluminum
Weight	
Net	1 kg
Ambient temperature	-20 ... 50 °C
Degree of protection	IP65
Mechanical life	0,1 x 10 <sup>6</sup>
Switching principle	Slow-action switching contact
Rope diameter	2 ... 5 mm
Installation position	Any
Number of positively driven contacts	2
Number of NO contacts	2
Connection	Plug connector M12 [1]
Actuation frequency	max.1200 1/h
Actuating force	175 N

## Electrical connection ratings

Rated thermal current I <sub>th</sub>	4 A
Utilization category according to EN 60947-5-1	
AC-15	3A 50V
DC-13	0.27A 50V
Short circuit protection according to IEC 60269-1	
(Fuse)	4A gG
Rated insulation voltage U <sub>i</sub>	50 V
Rated impulse withstand voltage U <sub>imp</sub>	1,5 kV
Switching current	
at 24V	min.10 mA
LED indicator	
DC	24V [2]

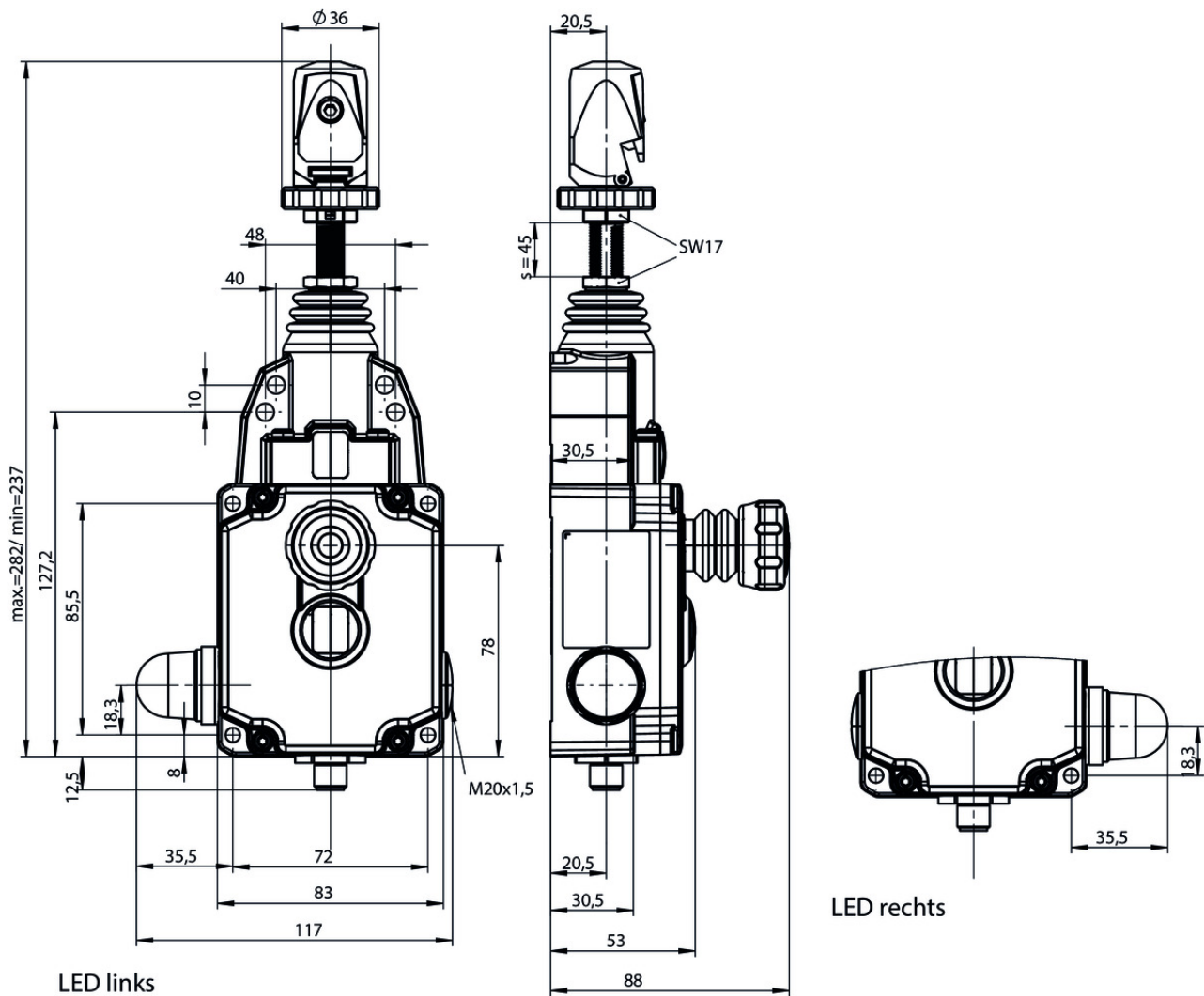
## Miscellaneous

Additional feature	Emergency stop function
C number	
C2424	Special wiring for ET200pro

[1] 5-pin (without PE) - bottom

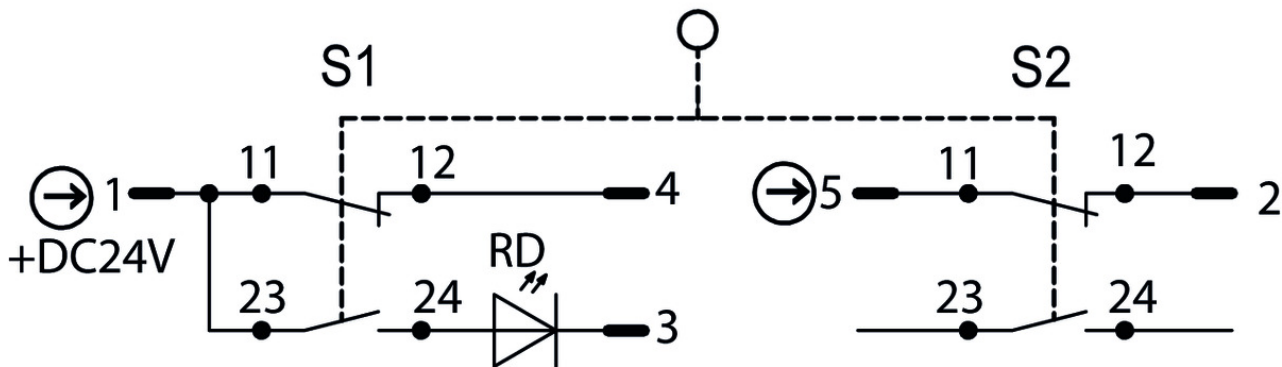
[2] Left switches red LED

**Dimension drawing**

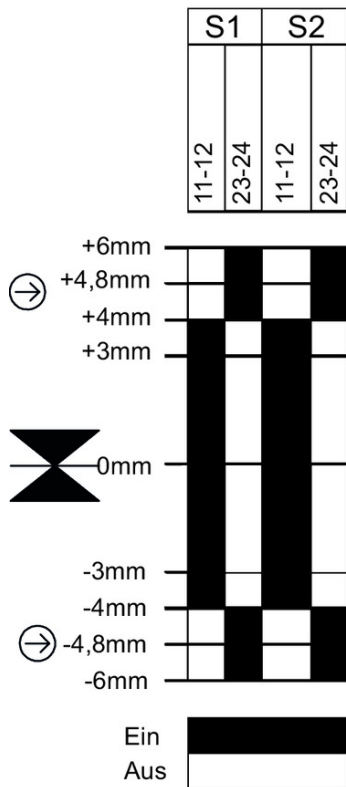


3131

**Anschlussplan**



## Travel diagram



## Legende

Tolerance: Operating point  $\pm 0.5$  mm  
Actuating force  $\pm 15\%$

## Mounting accessories

▼ Eyebolt for rope pull switches

**092495** RPS-O-8-50/V5

▼ Features

› Eyebolt with thread M8

▼ Rope set for rope pull switches

**092496** RPS-RS/V5

▼ Features

- › Rope set consisting of thimble and rope clamp
- 

- ▼ Pulley set RPS-P/V1 for rope pull switches



**096251** RPS-P-7-70

- ▼ Features

- › Pulley Ø 14mm
- 

- ▼ Turnbuckle for rope pull switches

**092500** RPS-B-6-110

- ▼ Features

- › Turnbuckle M6 x 100
- 

**092498** RPS-B-6-60/V5

- ▼ Features

- › Turnbuckle M6 x 60
- 

- ▼ Tensioner spring for rope pull switches



**092136** RPS-W-100/175

- ▼ Features

- › Tensioner spring for tensile force 110 N / 175 N
- 

- ▼ Tensioning rope for rope pull switches



**092813** RPS-I-3-4/50M

- ▼ Features

- › Tensioning rope with 50m length
- 



**092814** RPS-I-3-4/100M

- ▼ Features

- › Tensioning rope with 100m length
- 

- ▼ Pulley set RPS-PS/V5 for rope pull switches



**092501** RPS-PS/V5

- ▼ Features

- › Pulley set consisting of rope pulley block and pulley support
- 

## Connection material

---

- ▼ Connection cable with straight plug connector M12, 5-pin, 5m



**113620** C-M12F05-05X034PU05,0-MA-113620

- ▼ Features

- › M12 female plug, 5-pin
- › Straight plug connector
- › PUR cable
- › Cable length 5 m
- › With flying lead



**100183** C-M12F05-05X034PV05,0-MA-100183

▣ Features

- › M12 female plug, 5-pin
- › Straight plug connector
- › PVC cable
- › Cable length 5 m
- › With flying lead

▣ Connection cable with straight plug connector M12, 5-pin, 10m



**113640** C-M12F05-05X034PU10,0-MA-113640

▣ Features

- › M12 female plug, 5-pin
- › Straight plug connector
- › PUR cable
- › Cable length 10 m
- › With flying lead

▣ Connection cable with straight plug connector M12, 5-pin, 20 m



**113682** C-M12F05-05X034PU20,0-MA-113682

▣ Features

- › M12 female plug, 5-pin
- › Straight plug connector
- › PUR cable
- › Cable length 20 m
- › With flying lead

▣ Connection cable with plug connector M12, 5-pin, 10m



**100184** C-M12F05-05X034PV10,0-MA-100184

▣ Features

- › M12 female plug, 5-pin
- › Straight plug connector
- › PVC cable
- › Cable length 10 m
- › With flying lead

▣ Connection cable with plug connector M12, 5-pin, 20m



**100185** C-M12F05-05X034PV20,0-MA-100185

▣ Features

- › M12 female plug, 5-pin
- › Straight plug connector
- › PVC cable
- › Cable length 20 m

- › With flying lead

---

▼ Connection cable with 2 plug connectors M12, 5-pin, 5m



**119932** C-M12F05-05X034PU05,0-M12M05-119932

▼ Features

- › M12 female plug to M12 plug connector, 5-pin
- › Straight female plug and plug connector
- › PUR cable
- › Cable length 5 m



**100180** C-M12F05-05X034PV05,0-M12M05-100180

▼ Features

- › M12 female plug to M12 plug connector, 5-pin
- › Straight female plug and plug connector
- › PVC cable
- › Cable length 5 m

---

▼ Connection cable with 2 plug connectors M12, 5-pin, 10m



**119947** C-M12F05-05X034PU10,0-M12M05-119947

▼ Features

- › M12 female plug to M12 plug connector, 5-pin
- › Straight female plug and plug connector
- › PUR cable
- › Cable length 10 m



**100181** C-M12F05-05X034PV10,0-M12M05-100181

▼ Features

- › M12 female plug to M12 plug connector, 5-pin
- › Straight female plug and plug connector
- › PVC cable
- › Cable length 10 m

---

▼ Connection cable with 2 plug connectors M12, 5-pin, 20m



**119971** C-M12F05-05X034PU20,0-M12M05-119971

▼ Features

- › M12 female plug to M12 plug connector, 5-pin
- › Straight female plug and plug connector
- › PUR cable
- › Cable length 20 m



**100182** C-M12F05-05X034PV20,0-M12M05-100182

▼ Features

- › M12 female plug to M12 plug connector, 5-pin
  - › Straight female plug and plug connector
  - › PVC cable
  - › Cable length 20 m
-

- Connection cable with angled plug connector M12, 5-pin, 10m



**113187** C-M12F05-05X025PU10,0-MA-113187

**Features**

- > M12 female plug, 5-pin
- > Angled plug connector
- > PUR cable
- > Cable length 10 m
- > Cable exit A (right)
- > With flying lead



**113190** C-M12F05-05X025PU10,0-MA-113190

**Features**

- > M12 female plug, 5-pin
- > Angled plug connector
- > PUR cable
- > Cable length 10 m
- > Cable exit C (left)
- > With flying lead

## Instructions

- Betriebsanleitung Seilzugschalter RPS...

	Doc. no.	Version	Language	Download
Betriebsanleitung Seilzugschalter RPS...	2090276	08-01/18		2.7 MB
Operating Instructions for Rope Pull Switches RPS...	2090276	08-01/18		2.7 MB

## Catalogs

- Not-Halt-Geräte/Seilzugschalter Emergency Stop Devices/Rope Pull Switches Dispositifs d'arrêt d'urgence/interrupteurs à câble Dispositivos de parada de emergencia / Interruptores de accionamiento por cable

	Doc. no.	Version	Language	Download
Not-Halt-Geräte/Seilzugschalter	106210	06-06/16		1.9 MB
Dispositifs d'arrêt d'urgence/interrupteurs à câble	116529	06-06/16		1.9 MB
Dispositivos de parada de emergencia / Interruptores de accionamiento por cable	116530	06-06/16		1.9 MB
Emergency Stop Devices/Rope Pull Switches	116448	06-06/16		1.9 MB

## Declaration of conformity

- EU-Konformitätserklärung


Doc. no.	Version	Language	Download
----------	---------	----------	----------



EU-Konformitätserklärung  
Declaración UE de conformidad  
Déclaration UE de conformité  
Dichiarazione di conformità  
EU declaration of conformity

2091952 03-04/17



 0.2 MB