

ITEM 122861 RPS-M-3131SC175SFM5RL024C2424

Description	Technical data	Accessories	Downloads
-------------	----------------	-------------	-----------



Features

- › Metal housing
- › Emergency stop device with detent mechanism according to EN ISO 13850 and EN 60204-1
- › Clamping head for pull rope
- › Indication of correct rope tension
- › Plug connector M12 5-pin
- › LED right
- › Switching elements with 4 switching contacts

Switching elements

3131 Slow-action switching contact 2 NC \oplus + 2 NO

Approvals



Mechanical values and environment

Housing material	Die-cast aluminum
Weight	
Net	1 kg
Ambient temperature	-20 ... 50 °C
Degree of protection	IP65
Mechanical life	0,1 x 10 ⁶
Switching principle	Slow-action switching contact
Rope diameter	2 ... 5 mm
Installation position	Any
Number of positively driven contacts	2
Number of NO contacts	2
Connection	Plug connector M12 [1]
Actuation frequency	max.1200 1/h
Actuating force	175 N

Electrical connection ratings

Rated thermal current I _{th}	4 A
Utilization category according to EN 60947-5-1	
AC-15	3A 50V
DC-13	0.27A 50V
Short circuit protection according to IEC 60269-1	
(Fuse)	4A gG
Rated insulation voltage U _i	50 V
Rated impulse withstand voltage U _{imp}	1,5 kV
Switching current	
at 24V	min.10 mA
LED indicator	
DC	24V [2]

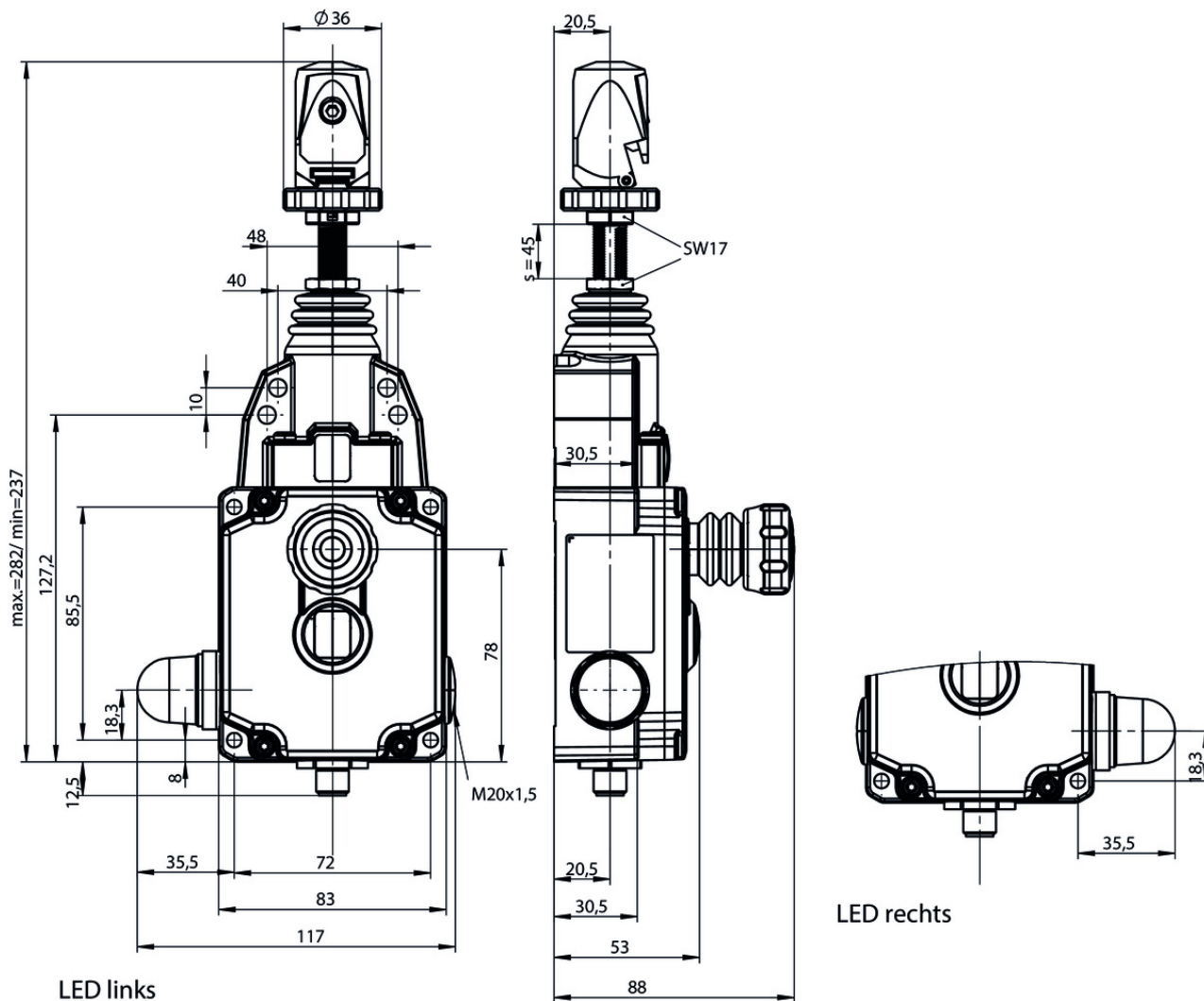
Miscellaneous

Additional feature	Emergency stop function
C number	
C2424	Special wiring for ET200pro

[1] 5-pin (without PE) – bottom

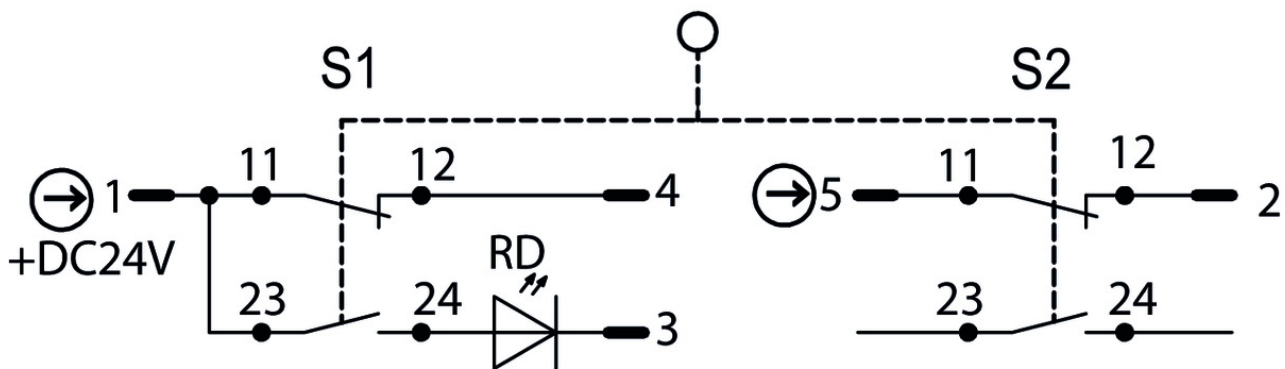
[2] Right switches red LED

Dimension drawing

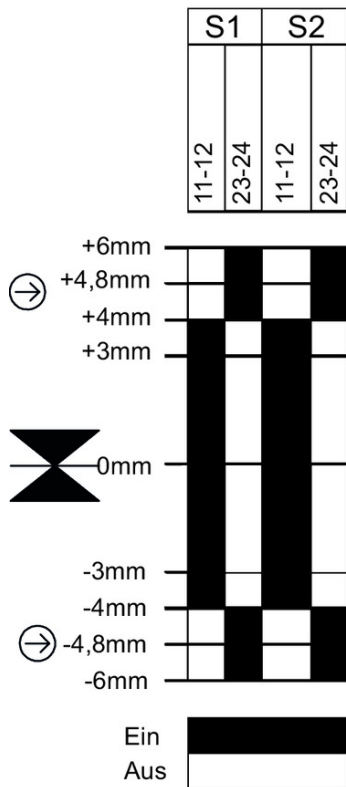


Wiring diagram

Anschlussplan



Travel diagram



Legende

Tolerance: Operating point ± 0.5 mm
Actuating force $\pm 15\%$

Mounting accessories

▼ Eyebolt for rope pull switches

092495 RPS-O-8-50/V5

▼ Features

› Eyebolt with thread M8

▼ Rope set for rope pull switches

092496 RPS-RS/V5

▼ Features

- › Rope set consisting of thimble and rope clamp
-

- ▼ Pulley set RPS-P/V1 for rope pull switches



096251 RPS-P-7-70

- ▼ Features

- › Pulley Ø 14mm
-

- ▼ Turnbuckle for rope pull switches

092498 RPS-B-6-60/V5

- ▼ Features

- › Turnbuckle M6 x 60
-

092500 RPS-B-6-110

- ▼ Features

- › Turnbuckle M6 x 100
-

- ▼ Tensioner spring for rope pull switches



092136 RPS-W-100/175

- ▼ Features

- › Tensioner spring for tensile force 110 N / 175 N
-

- ▼ Tensioning rope for rope pull switches



092813 RPS-I-3-4/50M

- ▼ Features

- › Tensioning rope with 50m length
-



092814 RPS-I-3-4/100M

- ▼ Features

- › Tensioning rope with 100m length
-

- ▼ Pulley set RPS-PS/V5 for rope pull switches



092501 RPS-PS/V5

- ▼ Features

- › Pulley set consisting of rope pulley block and pulley support
-

Connection material

- ▼ Connection cable with straight plug connector M12, 5-pin, 5m



113620 C-M12F05-05X034PU05,0-MA-113620

- ▼ Features

- › M12 female plug, 5-pin
 - › Straight plug connector
 - › PUR cable
 - › Cable length 5 m
 - › With flying lead
-



100183 C-M12F05-05X034PV05,0-MA-100183

☑ Features

- › M12 female plug, 5-pin
 - › Straight plug connector
 - › PVC cable
 - › Cable length 5 m
 - › With flying lead
-

- ☑ Connection cable with straight plug connector M12, 5-pin, 10m



113640 C-M12F05-05X034PU10,0-MA-113640

☑ Features

- › M12 female plug, 5-pin
 - › Straight plug connector
 - › PUR cable
 - › Cable length 10 m
 - › With flying lead
-

- ☑ Connection cable with straight plug connector M12, 5-pin, 20 m



113682 C-M12F05-05X034PU20,0-MA-113682

☑ Features

- › M12 female plug, 5-pin
 - › Straight plug connector
 - › PUR cable
 - › Cable length 20 m
 - › With flying lead
-

- ☑ Connection cable with plug connector M12, 5-pin, 10m



100184 C-M12F05-05X034PV10,0-MA-100184

☑ Features

- › M12 female plug, 5-pin
 - › Straight plug connector
 - › PVC cable
 - › Cable length 10 m
 - › With flying lead
-

- ☑ Connection cable with plug connector M12, 5-pin, 20m



100185 C-M12F05-05X034PV20,0-MA-100185

☑ Features

- › M12 female plug, 5-pin
- › Straight plug connector
- › PVC cable
- › Cable length 20 m

- › With flying lead

▼ Connection cable with 2 plug connectors M12, 5-pin, 5m



119932 C-M12F05-05X034PU05,0-M12M05-119932

▼ Features

- › M12 female plug to M12 plug connector, 5-pin
- › Straight female plug and plug connector
- › PUR cable
- › Cable length 5 m



100180 C-M12F05-05X034PV05,0-M12M05-100180

▼ Features

- › M12 female plug to M12 plug connector, 5-pin
- › Straight female plug and plug connector
- › PVC cable
- › Cable length 5 m

▼ Connection cable with 2 plug connectors M12, 5-pin, 10m



119947 C-M12F05-05X034PU10,0-M12M05-119947

▼ Features

- › M12 female plug to M12 plug connector, 5-pin
- › Straight female plug and plug connector
- › PUR cable
- › Cable length 10 m



100181 C-M12F05-05X034PV10,0-M12M05-100181

▼ Features

- › M12 female plug to M12 plug connector, 5-pin
- › Straight female plug and plug connector
- › PVC cable
- › Cable length 10 m

▼ Connection cable with 2 plug connectors M12, 5-pin, 20m



119971 C-M12F05-05X034PU20,0-M12M05-119971

▼ Features

- › M12 female plug to M12 plug connector, 5-pin
- › Straight female plug and plug connector
- › PUR cable
- › Cable length 20 m



100182 C-M12F05-05X034PV20,0-M12M05-100182

▼ Features

- › M12 female plug to M12 plug connector, 5-pin
 - › Straight female plug and plug connector
 - › PVC cable
 - › Cable length 20 m
-

- Connection cable with angled plug connector M12, 5-pin, 10m



113187 C-M12F05-05X025PU10,0-MA-113187

Features

- M12 female plug, 5-pin
- Angled plug connector
- PUR cable
- Cable length 10 m
- Cable exit A (right)
- With flying lead



113190 C-M12F05-05X025PU10,0-MA-113190

Features

- M12 female plug, 5-pin
- Angled plug connector
- PUR cable
- Cable length 10 m
- Cable exit C (left)
- With flying lead

Instructions

- Betriebsanleitung Seilzugschalter RPS...

	Doc. no.	Version	Language	Download
Betriebsanleitung Seilzugschalter RPS...	2090276	08-01/18		2.7 MB
Operating Instructions for Rope Pull Switches RPS...	2090276	08-01/18		2.7 MB

Catalogs

- Not-Halt-Geräte/Seilzugschalter Emergency Stop Devices/Rope Pull Switches Dispositifs d'arrêt d'urgence/interrupteurs à câble Dispositivos de parada de emergencia / Interruptores de accionamiento por cable

	Doc. no.	Version	Language	Download
Not-Halt-Geräte/Seilzugschalter	106210	06-06/16		1.9 MB
Dispositifs d'arrêt d'urgence/interrupteurs à câble	116529	06-06/16		1.9 MB
Dispositivos de parada de emergencia / Interruptores de accionamiento por cable	116530	06-06/16		1.9 MB
Emergency Stop Devices/Rope Pull Switches	116448	06-06/16		1.9 MB

Declaration of conformity


- EU-Konformitätserklärung

Doc. no.	Version	Language	Download
----------	---------	----------	----------

EU-Konformitätserklärung
Declaración UE de conformidad
Déclaration UE de conformité
Dichiarazione di conformità
EU declaration of conformity

2091952 03-04/17



 0.2 MB