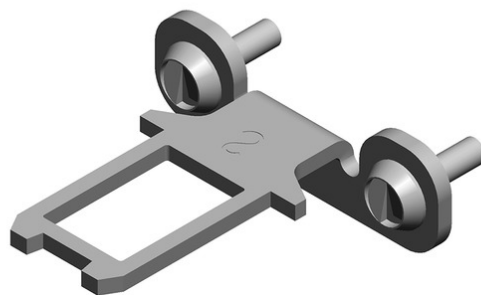


## ITEM 158407 BETAETIGER-S-WQ-SN-C2498

Description	Technical data	Accessories	Downloads
-------------	----------------	-------------	-----------



### Features

- › Two safety screws included
- › Minimum door radius 300 mm

### Notice

Type S actuators must not be used in conjunction with insertion funnels. L actuators must be used for insertion funnels.

### Screws made of stainless steel

The safety screws included can be inserted with a normal tool, but cannot be removed again.

### Mechanical values and environment

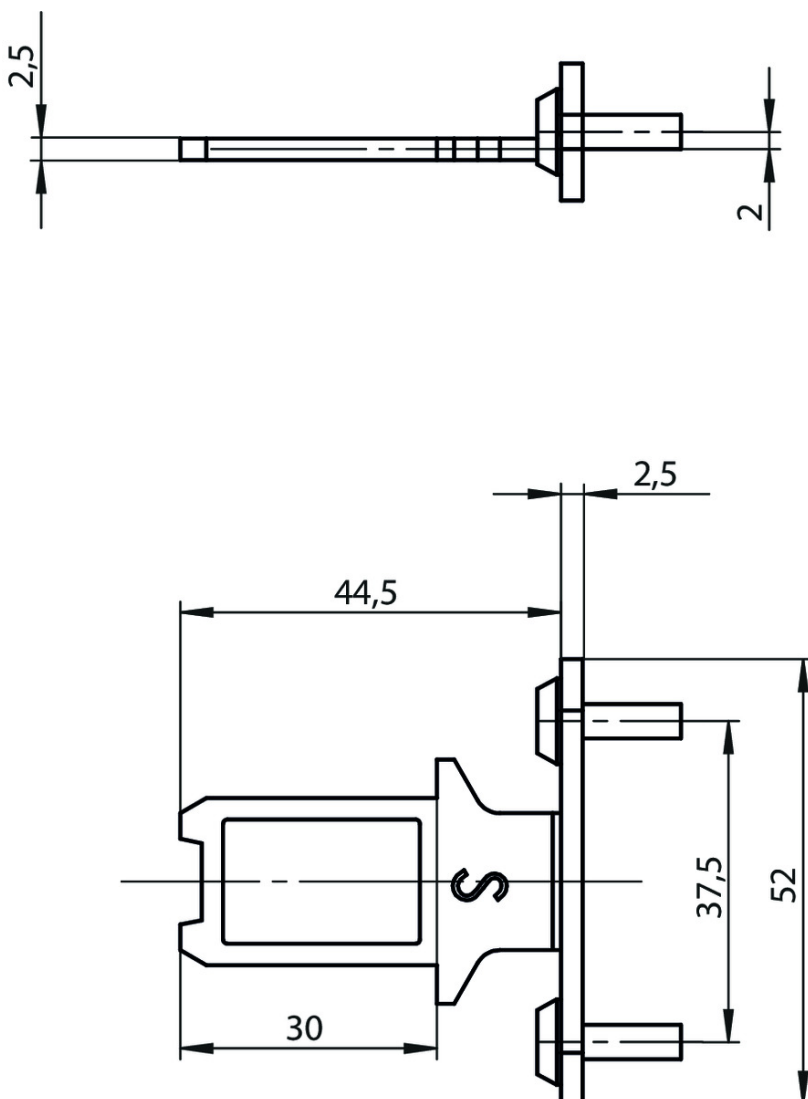
Material		
	Actuator	Stainless steel
	screw	Stainless steel

Door radius	min.300 mm
Locking force $F_{max}$	Reduced locking force by actuator max.2000 N
Overtravel	max.5 mm

### Miscellaneous

C number	Without rubber bushes and dowel pins and with $\varnothing 4.4$ mounting holes
Usability of insertion funnel	No

### Dimension drawing



### Mounting accessories

- Safety screws M4 x 14

**074063** M4X14/V100

- Features

- › Safety screws M4 x 14
  - › Packaging unit 100 pieces
-