

ITEM 001864 EGT2-2000

Description	Technical data	Accessories	Downloads
-------------	----------------	-------------	-----------



Features

- › With snap-action switching element
- › Plunger material stainless steel
- › Any installation position

Switching element

Snap-action switching contact, 1 NC contact and 1 NO contact
⚠ Single hole fixing limit switches must not be used as an end stop.

Approvals



Mechanical values and environment

Design	Thread M18 x 1.5
--------	------------------

Housing material	Sleeve	Brass, nickel-plated
	Threaded section	Brass, nickel-plated
Ambient temperature		-5 ... 60 °C
Degree of protection		IP67
Mechanical life		1 x 10 ⁶
Contact material		Fine silver gold-plated
Switching principle		Snap-action switching contact
Repeat accuracy (absolute)		±0,01 mm ^[1]
Installation position		Any
Number of NC contacts		1
Number of NO contacts		1
Connection		PUR cable ^[2]
Cable length		2 m
Approach speed		0,01 ... 10 m/min
Actuating element		Ball plunger ^[3]
Actuating force	Approx.	24 N

Electrical connection ratings

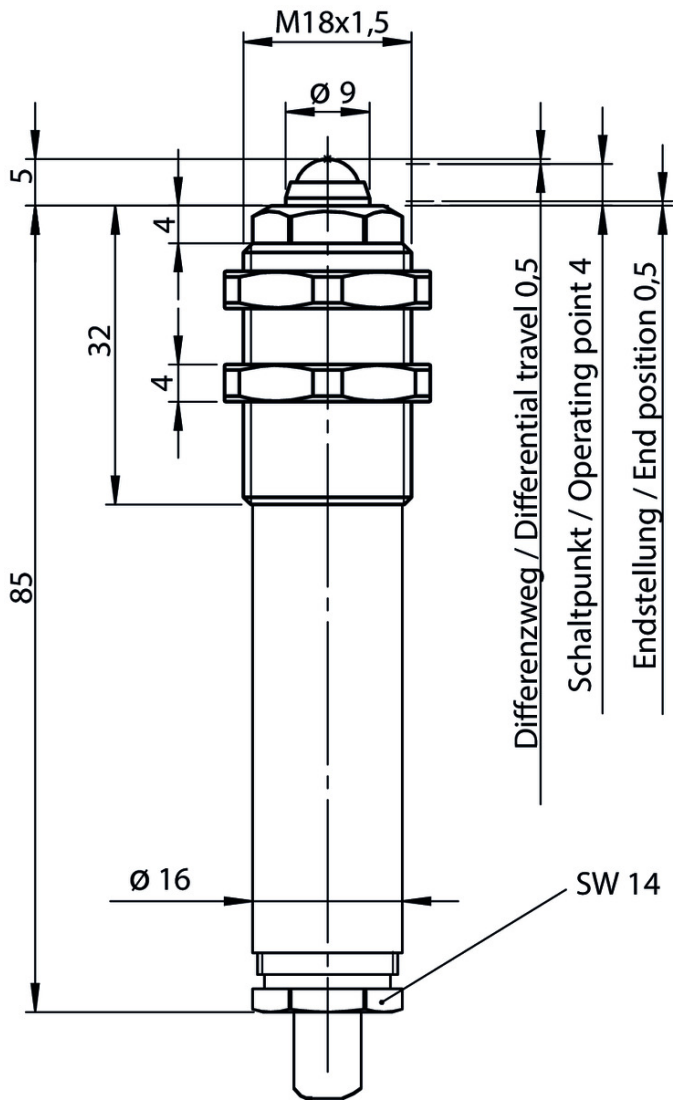
Utilization category according to EN 60947-5-1	AC-15	2A 230V
	DC-13	1A 24V
Short circuit protection according to IEC 60269-1		2A gG
Rated insulation voltage U _i		250 V
Rated impulse withstand voltage U _{imp}		2,5 kV
Switching voltage	min.	12 V
Switching current	Min. at 24V	10 mA
Connection cross-section		0,75 mm ²

^[1] On axial actuation in the retracted state after approx. 2000 operating cycles

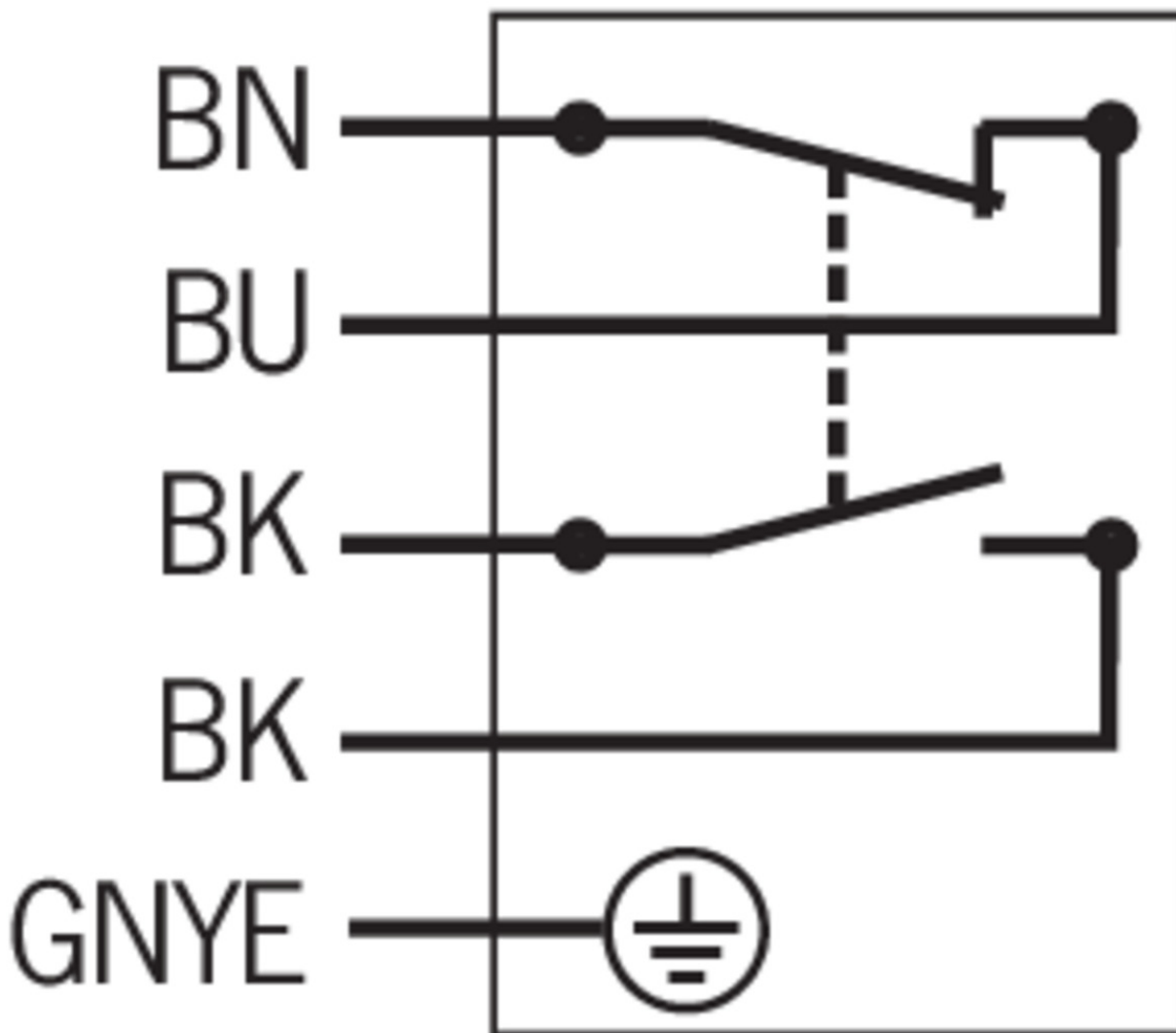
^[2] Five-core

^[3] Short

Dimension drawing



Wiring diagram



Catalogs

- Positionsschalter und Reihengrenztaster Position Switches and Multiple Limit Switches
Interrupteurs de position et boîtiers multipistes

	Doc. no.	Version	Language	Download
Positionsschalter und Reihengrenztaster	157835	01-03/18		4.1 MB
Interrupteurs de position et boîtiers multipistes	157837	01-03/18		4.1 MB
Position Switches and Multiple Limit Switches	157836	01-03/18		4.1 MB

Declaration of conformity

- EU prohlášení o shodě

Doc. no.	Version	Language	Download
----------	---------	----------	----------

EU-Konformitätserklärung	2077153	25-02/17		 0.3 MB
Declaración UE de conformidad				
Déclaration UE de conformité				
Dichiarazione di conformità				
EU declaration of conformity				
EU prohlášení o shodě	2077153	25-02/17		 0.5 MB
EU-overensstemmelseserklæring				
Δήλωση συμμόρφωσης της ΕΕ				
EU-vaatimustenmukaisuusvakuutus				
EU-típusbizonyítvány				
EU-conformiteitsverklaring				
Deklaracja zgodności UE				
Declaração de Conformidade UE				
Declarația de conformitate UE				
EÚ vyhlásenie o zhode				

CAD data

CAD data for this item on TraceParts