

ITEM 001897 EGT3-5000

Description	Technical data	Accessories	Downloads
-------------	----------------	-------------	-----------

Features

- › Switch head can be used as end stop
- › With snap-action switching element
- › Plunger material stainless steel
- › Any installation position

Switching element

Snap-action switching contact, 1 NC contact and 1 NO contact
⚠ Single hole fixing limit switch allowed to be used as an end stop.

Approvals



Mechanical values and environment

Design	Switch head can be used as end stop (for bore $\varnothing 18^{H9}$)
--------	---

Housing material	Sleeve	Brass, nickel-plated
	End stop	Hardened steel
Ambient temperature		-5 ... 60 °C
Degree of protection		IP67
Mechanical life		1 x 10 ⁶
Contact material		Fine silver gold-plated
Switching principle		Snap-action switching contact
Repeat accuracy (absolute)		±0,01 mm ^[1]
Installation position		Any
Number of NC contacts		1
Number of NO contacts		1
Connection		PUR cable ^[2]
Cable length		5 m
Approach speed		max.8 m/min
Actuating element		Ball plunger ^[3]
Actuating force	Approx.	18 N

Electrical connection ratings

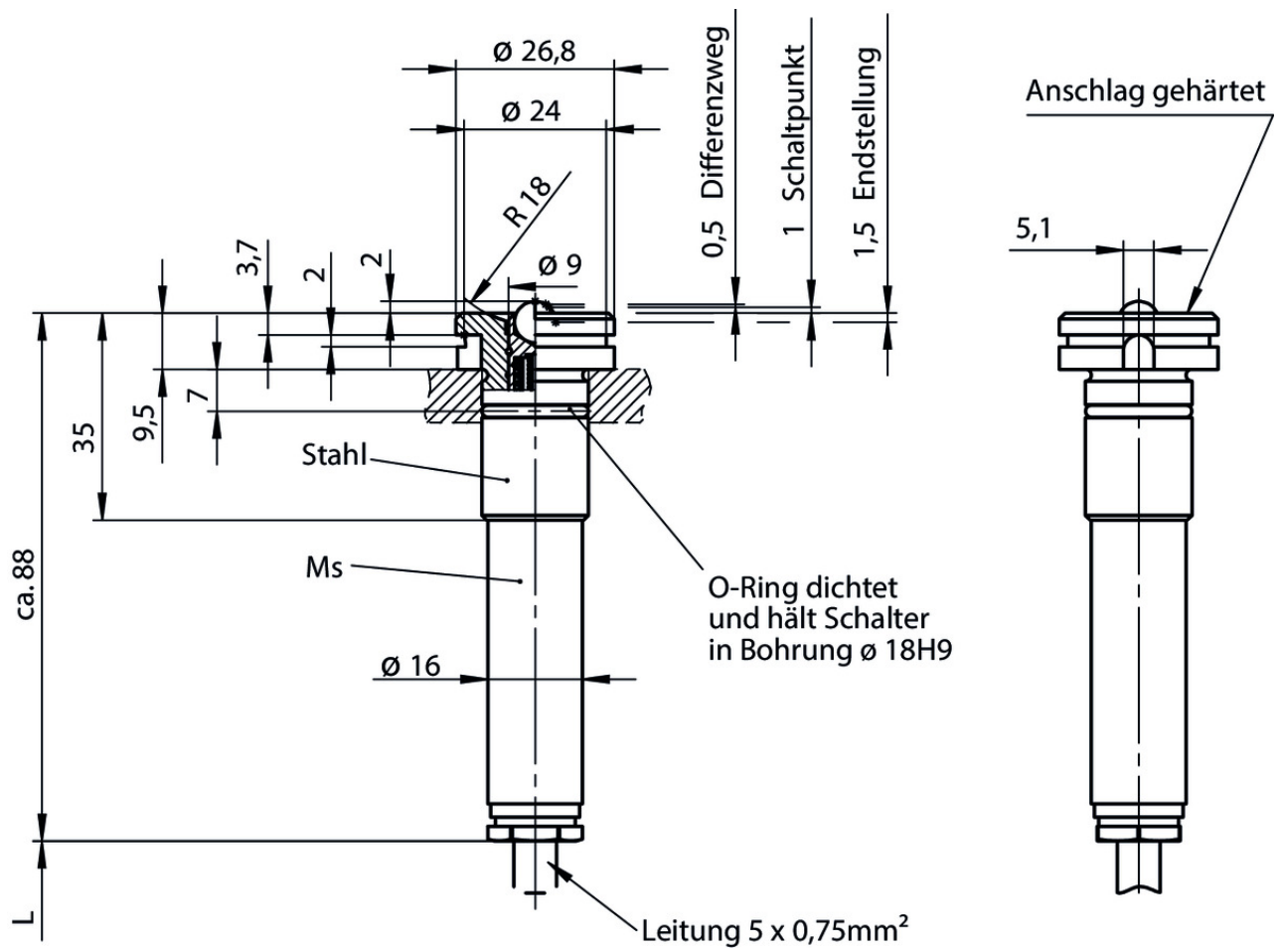
Utilization category according to EN 60947-5-1	AC-15	2A 230V
	DC-13	1A 24V
Short circuit protection according to IEC 60269-1		2A gG
Rated insulation voltage U _i		250 V
Rated impulse withstand voltage U _{imp}		2,5 kV
Switching voltage	min.	12 V
Switching current	Min. at 24V	10 mA
Connection cross-section		0,75 mm ²

^[1] On axial actuation in the retracted state after approx. 2000 operating cycles

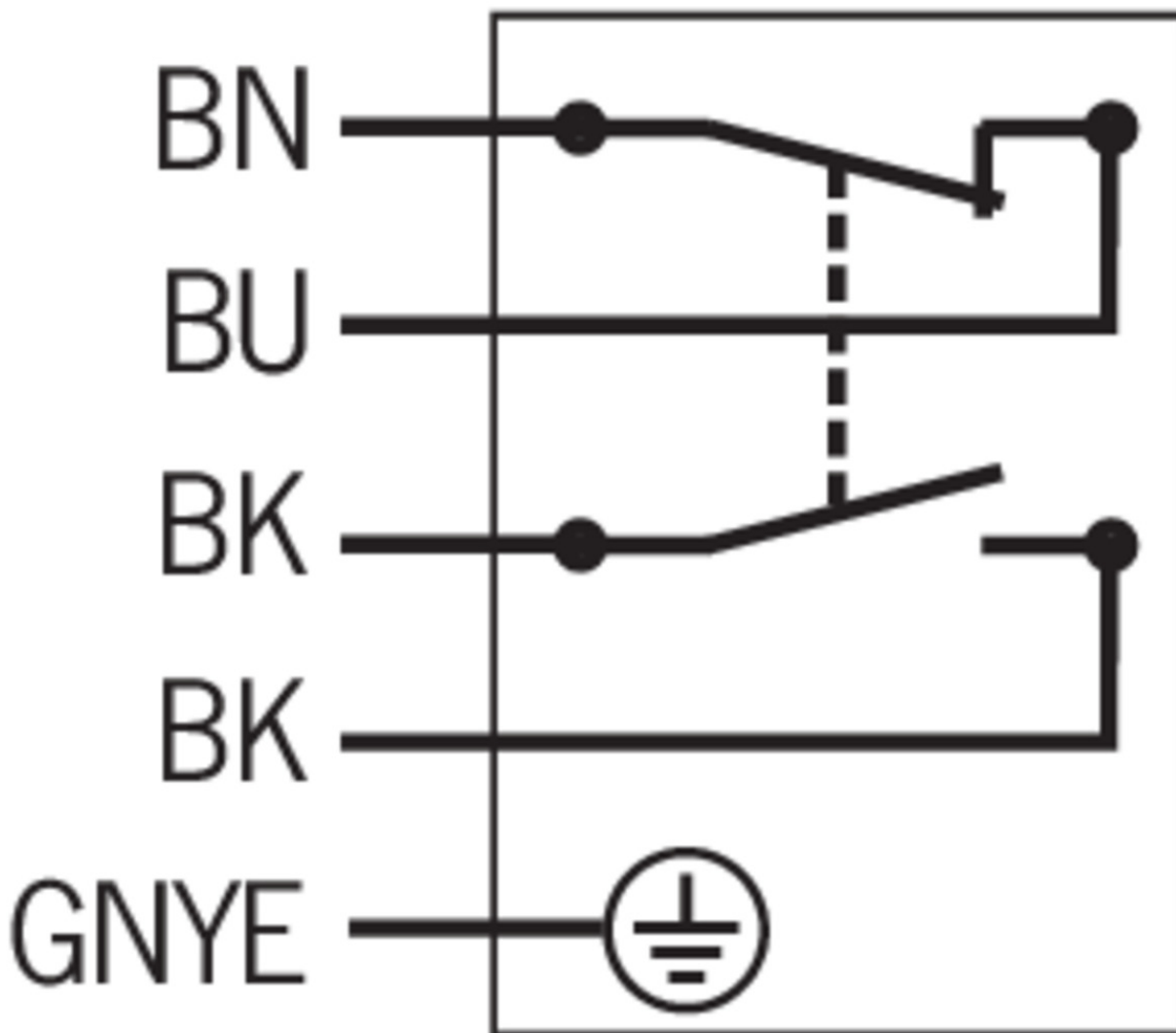
^[2] Five-core

^[3] Short

Dimension drawing












Wiring diagram



Declaration of conformity

EU prohlášení o shodě

	Doc. no.	Version	Language	Download
EU-Konformitätserklärung Declaración UE de conformidad Déclaration UE de conformité Dichiarazione di conformità EU declaration of conformity	2077153	25-02/17	 	0.3 MB

EU prohlášení o shodě	2077153	25-02/17		 0.5 MB
EU-overensstemmelseserklæring				
Δήλωση συμμόρφωσης της ΕΕ				
EU-vaatimustenmukaisuusvakuutus				
EU-típusbizonyítvány				
EU-conformiteitsverklaring				
Deklaracja zgodności UE				
Declaração de Conformidade UE				
Declarația de conformitate UE				
EÚ vyhlásenie o zhode				

CAD data

CAD data for this item on TraceParts