

ITEM 102479 EGT1SEM4C2221

Description	Technical data	Accessories	Downloads
-------------	----------------	-------------	-----------



Features

- › Diaphragm made of Viton
- › For plug connector with LED display
- › With snap-action switching element
- › Plunger material stainless steel
- › Any installation position

Switching element

Snap-action switching contact, 1 changeover contact

⚠ Single hole fixing limit switches must not be used as an end stop.

Approvals



Mechanical values and environment

Design	Thread M14 x 1
Housing material	
Sleeve	Brass, nickel-plated
Threaded section	Brass, nickel-plated
Ambient temperature	-5 ... 80 °C
Degree of protection	IP67 [1]
Mechanical life	1 x 10 ⁶
Contact material	Silver alloy, gold-plated
Switching principle	Snap-action switching contact
Repeat accuracy (absolute)	±0,01 mm [2]
Installation position	Any
Number of NC contacts	1 [3]
Number of NO contacts	1 [4]
Connection	Plug connector M12 [5]
Approach speed	0,01 ... 8 m/min
Actuating element	Ball plunger [6]
Actuating force	
Approx.	20 N

Electrical connection ratings

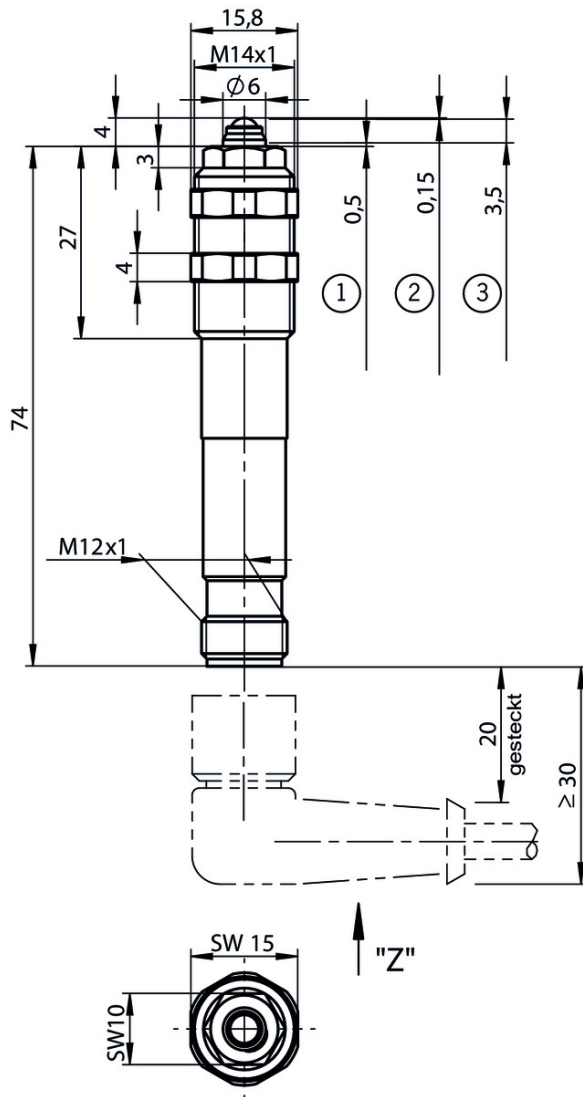
Utilization category according to EN 60947-5-1	
AC-15	0.5A 50V
DC-13	0.6A 24V
Short circuit protection according to IEC 60269-1	2A gG
Rated insulation voltage U _i	50 V
Rated impulse withstand voltage U _{imp}	2,5 kV
Switching voltage	
min.	12 V
Switching current	
Min. at 24V	10 mA

Miscellaneous

C number	
C2221	Diaphragm made of viton, special wiring for elbow connector with LEDs

- [1] Mating connector inserted and screwed tight.
- [2] On axial actuation in the retracted state after approx. 2000 operating cycles
- [3, 4] Changeover contact
- [5] 4-pin
- [6] Short

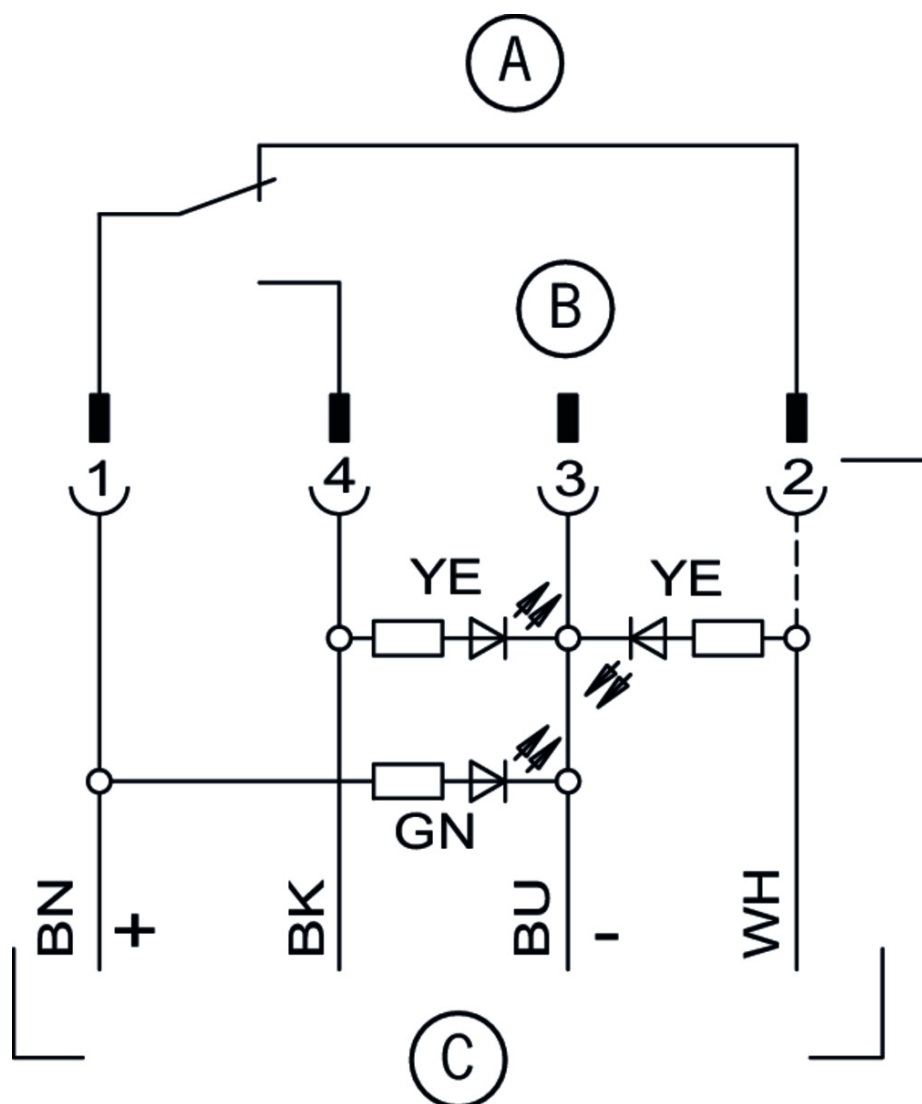
Dimension drawing



Legende

- 1 End position
- 2 Differential travel
- 3 Operating point

Wiring diagram



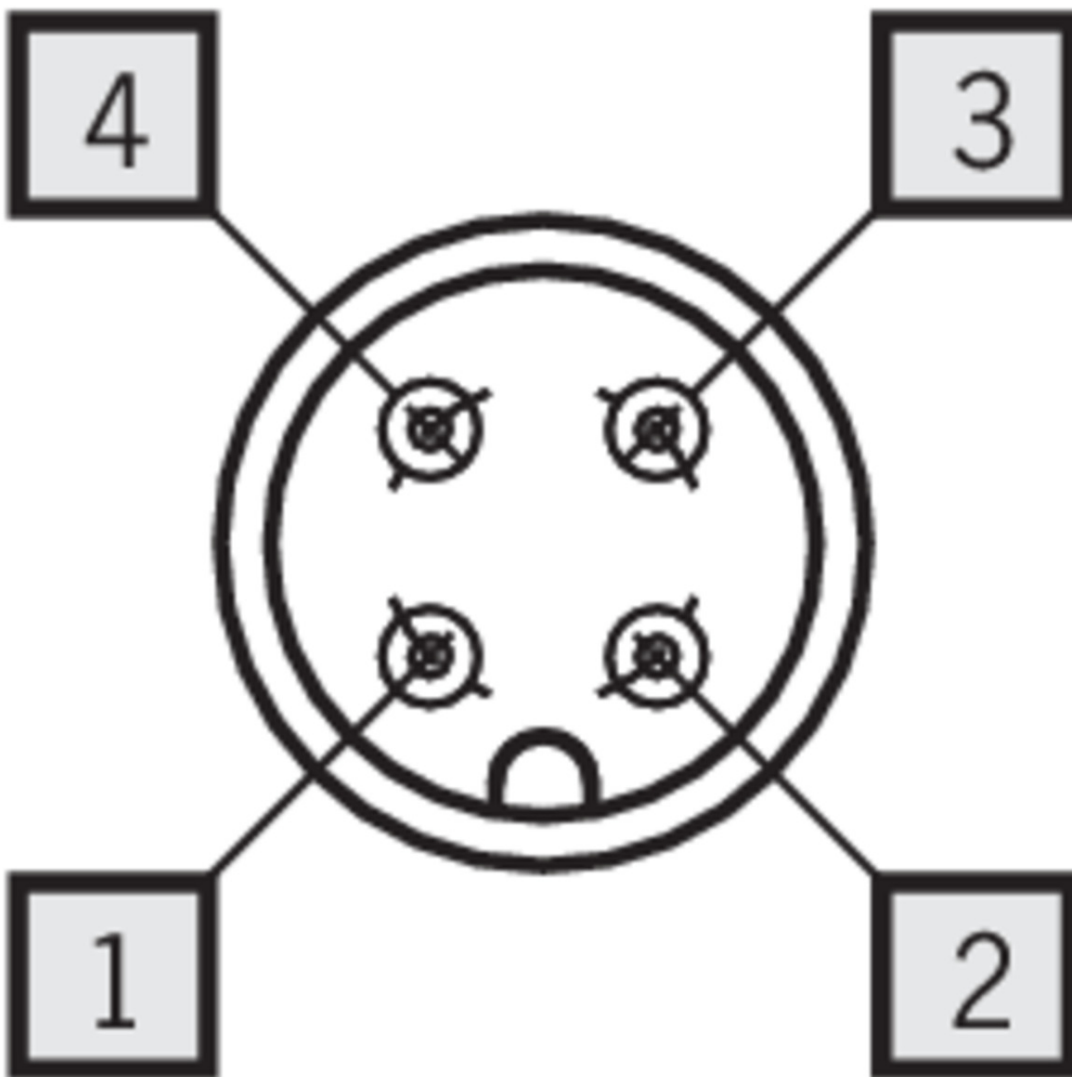
Legende

A Wiring for plug connectors with LED display

B Not used in the switch!

C Angled plug connector with 2 LEDs

Wiring diagram



Connection material

Plug connector M12









041091 C-M12F04-04X034PU05,0-GA-041091

Features

- › M12 female plug, 4-pin
- › Angled plug connector
- › PUR cable
- › Halogen-free
- › Cable length 5 m
- › With flying lead
- › Cores color-coded

Catalogs

☑ Positionsschalter und Reihengrenztaster Position Switches and Multiple Limit Switches
Interrupteurs de position et boîtiers multipistes

	Doc. no.	Version	Language	Download
Positionsschalter und Reihengrenztaster	157835	01-03/18		 4.1 MB
Interrupteurs de position et boîtiers multipistes	157837	01-03/18		 4.1 MB
Position Switches and Multiple Limit Switches	157836	01-03/18		 4.1 MB