

ITEM 086544 SB02K08-552-M

| Description | Technical data | Accessories | Downloads |
|-------------|----------------|-------------|-----------|
|-------------|----------------|-------------|-----------|



Features

- › plunger spacing 8 mm
- › Upright housing, without flange
- › With enlarged space for wiring
- › Degree of protection IP67 according to IEC 60529

Switching element

ES Snap-action switching contact 1 changeover contact standard
552 switching element

Mechanical values and environment

| | |
|---------------------|-----------------------------|
| Design | Upright |
| Housing material | Die-cast aluminum, anodized |
| Weight | |
| | Net 0,14 kg |
| Ambient temperature | -5 ... 80 °C |

| | |
|----------------------------------|------------------------------------------|
| Degree of protection | IP67 |
| Mechanical life | 10×10^6 |
| Contact material | Silver alloy, electro-gold-plated |
| Switching principle | Snap-action switching contact [1] |
| Plunger spacing | 8 mm |
| Installation position | Any |
| Tightening torque | |
| Screw terminal switching element | Hexagon socket AF 1.3 mm max. 0,2 Nm |
| Number of switching elements | 2 |
| Number of changeover contacts | 2 |
| Connection | |
| | 1 x M16 x 1.5 |
| Approach speed | |
| | max. 0,01 ... 8 m/min [2] |
| Actuating element | Ball plunger [3] |
| Actuating force | min. 15 N |

Electrical connection ratings

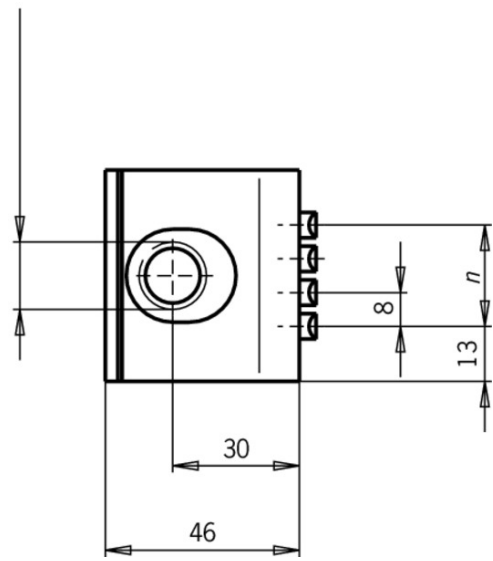
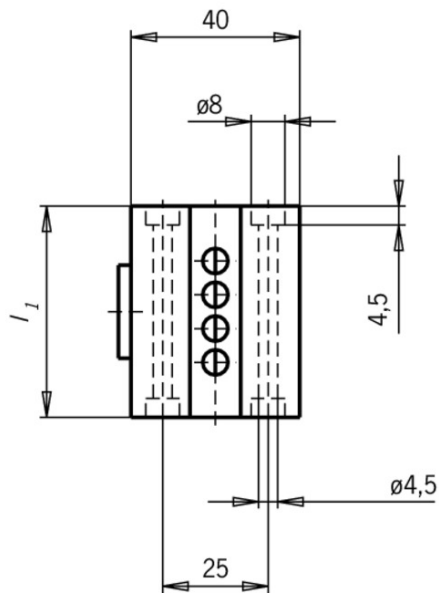
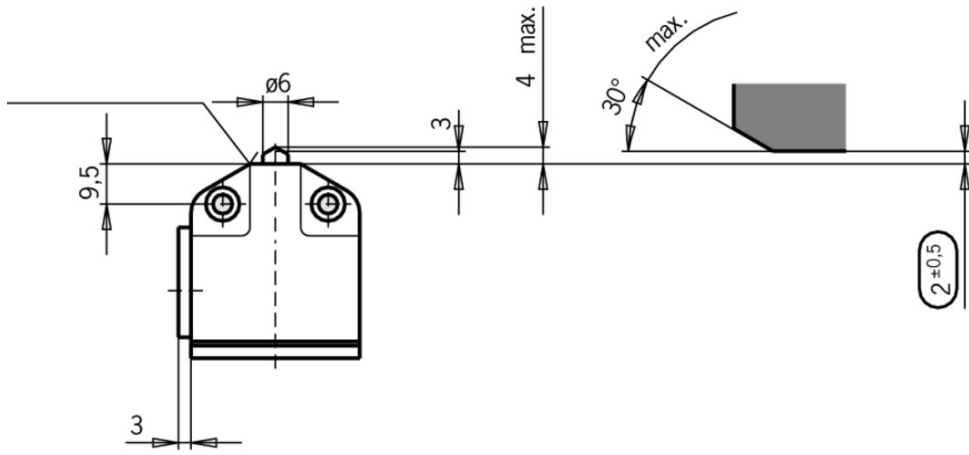
| | |
|---------------------------------------------------|------------------------------|
| Rated thermal current I_{th} | 6 A |
| Utilization category according to EN 60947-5-1 | |
| | AC-15 2A 230V |
| | DC-13 2A 24V |
| Short circuit protection according to IEC 60269-1 | |
| | (Fuse) 6A gG |
| Rated insulation voltage U_i | 250 V |
| Rated impulse withstand voltage U_{imp} | 2,5 kV |
| Switching current | |
| | Min. at DC 24V min. 10 mA |
| Connection cross-section | 0,14 ... 1,0 mm ² |

[1] Contact bounce time ≤ 2 ms

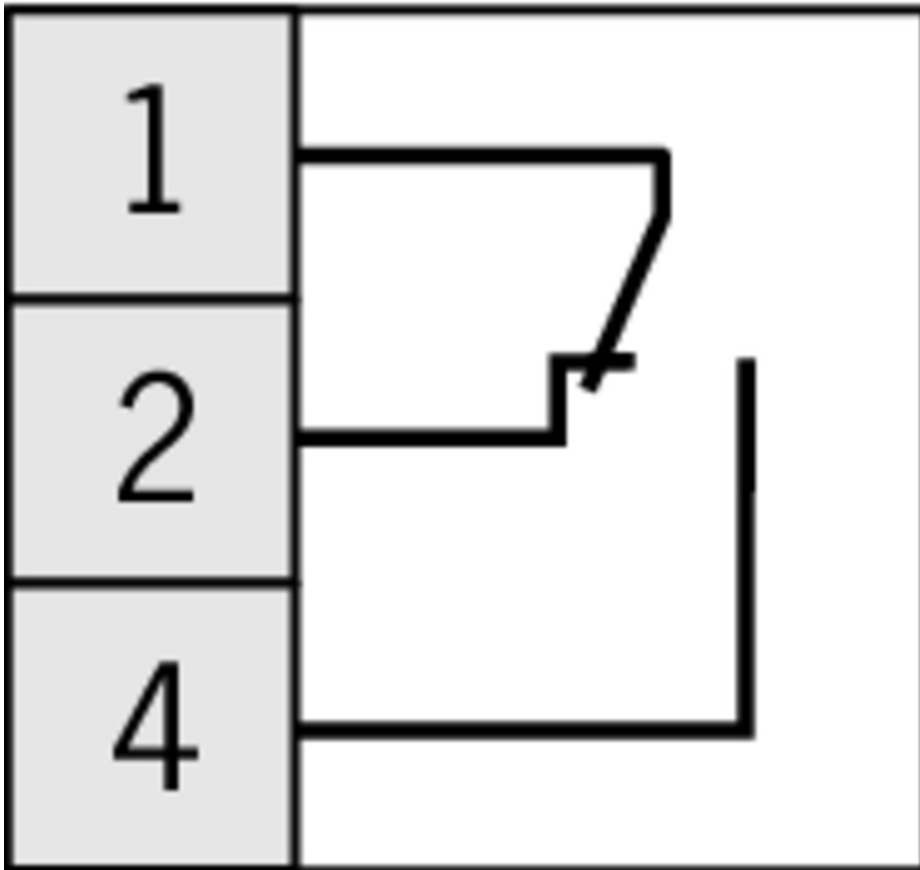
[2] The approach speed specified applies in conjunction with EUCHNER trip dogs in accordance with DIN 69639.

[3] Operating point accuracy ± 0.03 . The reproducible switching point accuracy refers to the axial travel of the plunger after the switching element ES 552 has been run-in with approx. 2000 operating cycles.

Dimension drawing



ES 552









Instructions

- Betriebsanleitung Präzisions-Reihengrenztaster GL, GS, SB, SN 8 mm

| | Doc. no. | Version | Language | Download |
|---------------------------------------------------------------------------------|----------|----------|----------|----------|
| Betriebsanleitung Präzisions-Reihengrenztaster GL, GS, SB, SN 8 mm | 2076050 | 05-01/18 | | 0.6 MB |
| Mode d'emploi Boîtiers multipistes de précision GL, GS, SB, SN 8 mm | | | | |
| Istruzioni di impiego Finecorsa multipli di precisione GL, GS, SB, SN 8 mm | | | | |
| Operating Instructions Precision Multiple Limit Switches GL, GS, SB, SN 8 mm | | | | |

Catalogs

- Positionsschalter und Reihengrenztaster Position Switches and Multiple Limit Switches
Interrupteurs de position et boîtiers multipistes

| | Doc. no. | Version | Language | Download |
|---------------------------------------------------|-----------------|----------------|-------------------------------------------------------------------------------------|--------------------------------------------------------------------------------------------|
| Positionsschalter und Reihengrenztaster | 157835 | 01-03/18 |  |  4.1 MB |
| Interrupteurs de position et boîtiers multipistes | 157837 | 01-03/18 |  |  4.1 MB |
| Position Switches and Multiple Limit Switches | 157836 | 01-03/18 |  |  4.1 MB |

CAD data

CAD data for this item on TraceParts