

ITEM 086595 SN03R12-1508-M

Description	Technical data	Accessories	Downloads
-------------	----------------	-------------	-----------



Features

- › plunger spacing 12 mm
- › Upright housing, small flange
- › Degree of protection IP67 according to IEC 60529

Switching elements

ES 502 E Snap-action switching contact 1 NC + 1 NO

ES 508 Slow-action switching contact 1 NC \ominus

On the usage of safety switching elements, the dog distance $\text{\textcircled{3.05}}$ must be maintained to achieve the positively driven travel. The dogs must be positively mounted according to EN ISO 14119, i.e. riveted, welded or secured in some other way against becoming loose.

Approvals



Mechanical values and environment

Design	Upright
Housing material	Die-cast aluminum, anodized
Weight	
	Net 0,45 kg
Ambient temperature	-5 ... 80 °C
Degree of protection	IP67
Mechanical life	30 x 10 ⁶
Contact material	Silver alloy, gold flashed
Switching principle	
	Slow-action switching contact [1]
	Snap-action switching contact [2]
Plunger spacing	12 mm
Installation position	Any
Number of switching elements	3
Number of positively driven contacts	1
Number of NC contacts	2
Number of NO contacts	2
Connection	
	2 x M20 x 1.5
Approach speed	
	max. 0,01 ... 80 m/min
Actuating element	
	Plain bearing Roller plunger [3]
Actuating force	min.20 N

Electrical connection ratings

Rated thermal current I _{th}	8 A
Utilization category according to EN 60947-5-1	
	AC-15 6A 230V
	DC-13 6A 24V
	AC-12 8 A, 250 V [4]
Short circuit protection according to IEC 60269-1	
	(Fuse) 8A gG
Rated insulation voltage U _i	250 V
Rated impulse withstand voltage U _{imp}	2,5 kV
Switching current	
	Min. at DC 24V min.10 mA [5]
	Min. at DC 12V min.10 mA [6]
Connection cross-section	0,34 ... 1,5 mm ²

Miscellaneous

Reliability values acc. to EN ISO 13849-1B10_D20 x 10⁶

[1, 5] Applies for station 1 with switching element ES508

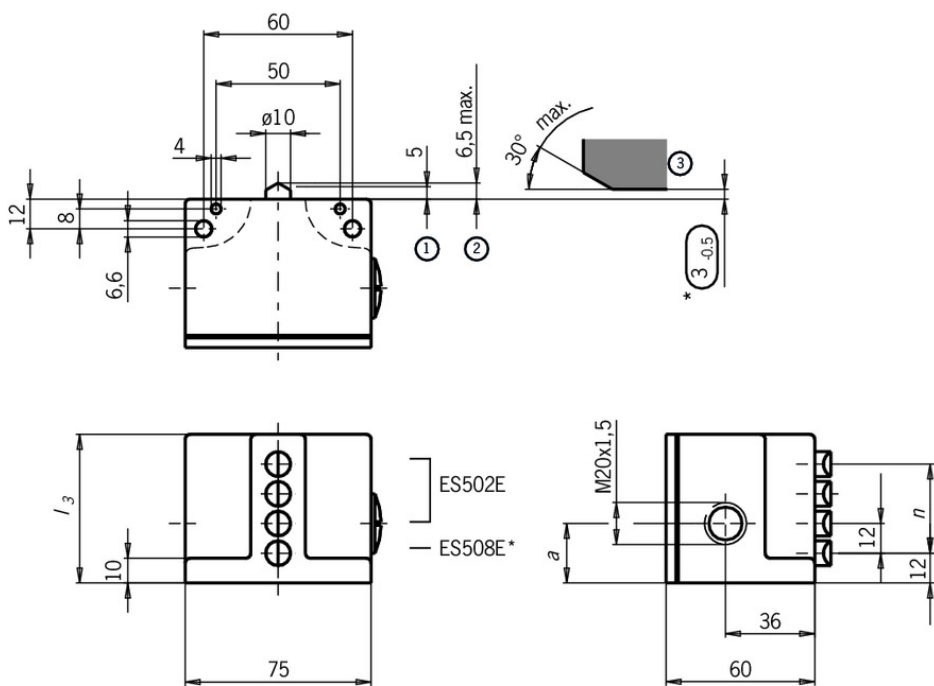
[2] Contact closing time < 4ms, contact bounce time < 3ms, applies from station 2 with switching element ES502E

[3] Operating point accuracy ± 0.01. The reproducible switching point accuracy refers to the axial travel of the plunger after the switching element ES 502 E has been run-in with approx. 2000 operating cycles.

[4, 6] Applies from station 2 with switching element ES502E

[7] On upright multiple limit switches it is necessary to start with the safety station/s on the flange side. If several safety stations are to be fitted, these must be fitted directly one after the other.

Dimension drawing



- * 3 ± 0.5
- 5
- 6
- 7

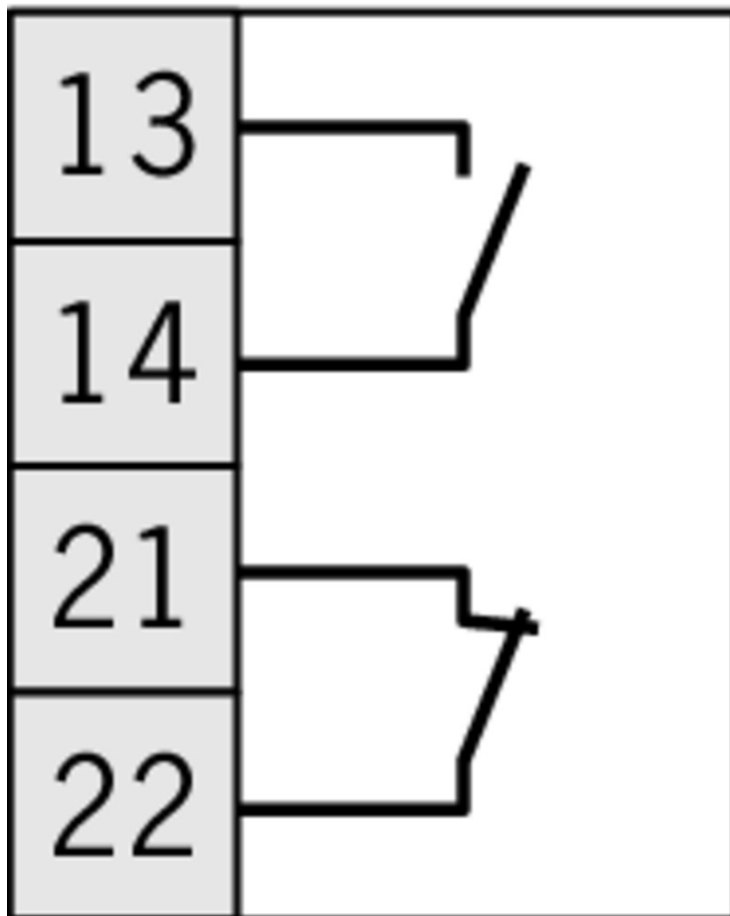
6	84	24
5	72	24
4	60	24
3	48	24
2	36	19
n	13	a
Anzahl der Stößel		
4		

Legende

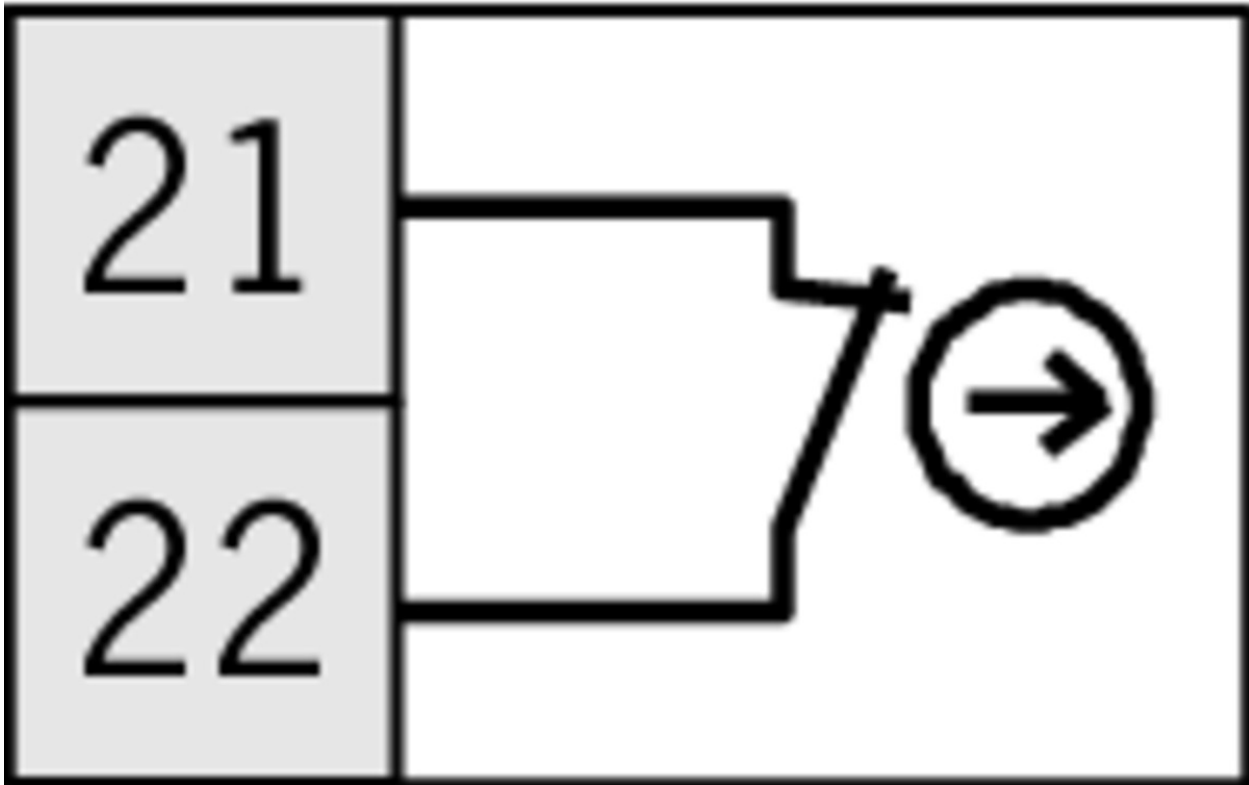
- 1 Operating point
- 2 Free position
- 3 Dog
- 4 n Number of plungers
- * Safety switching element ES 508E positively driven. Positive opening function is dependent on maintaining this distance.
- 5 Actuators (dogs) must be connected to the machine in a flush position.
- 6 Switch can be replaced only with the same type.
- 7 Pressure sensitive label 041734 applied.

Switching element

ES 502 E



ES 508



Instructions

Betriebsanleitung Präzisions-Reihengrenztaster SN 12/16 mm

	Doc. no.	Version	Language	Download
Betriebsanleitung Präzisions-Reihengrenztaster SN 12/16 mm	032308	08-07/16		1.2 MB
Mode d'emploi Boîtiers multipistes de précision SN 12/16 mm				
Istruzioni di impiego Finecorsa multipli di precisione SN 12/16 mm				
Operating Instructions Precision Multiple Limit Switches SN 12/16 mm				

CAD data

CAD data for this item on TraceParts