

**ITEM 087063 SN04R12-502LE060-M**

Description	Technical data	Accessories	Downloads
-------------	----------------	-------------	-----------



---

### Features

- › plunger spacing 12 mm
- › Upright housing, small flange
- › Degree of protection IP67 according to IEC 60529
- › LED function display

---

### Switching element

**ES 502 E** Snap-action switching contact 1 NC + 1 NO

---

### LED function display

Function display is available for the following voltage range  
**LE060** 12 ... 60 V AC/DC

### Approvals

## Mechanical values and environment

Design	Upright
Housing material	Die-cast aluminum, anodized
Weight	
	Net 0,5 kg
Ambient temperature	-5 ... 80 °C
Degree of protection	IP67
Mechanical life	30 x 10 <sup>6</sup>
Contact material	Silver alloy, gold flashed
Switching principle	Snap-action switching contact <b>[1]</b>
Plunger spacing	12 mm
Installation position	Any
Number of switching elements	4
Number of NC contacts	4
Number of NO contacts	4
Connection	
	2 x M20 x 1.5
Approach speed	
	max. 0,01 ... 80 m/min
Actuating element	
	Plain bearing Roller plunger <b>[2]</b>
Actuating force	min.20 N

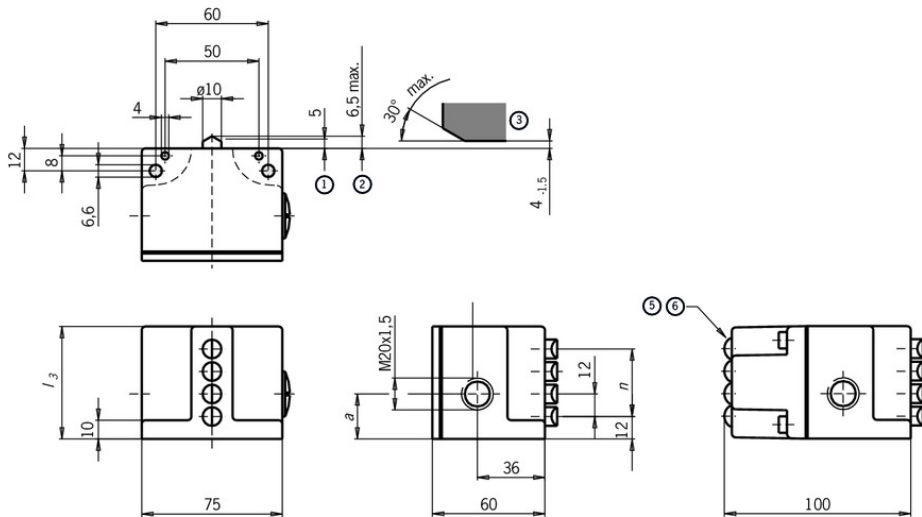
## Electrical connection ratings

Rated thermal current $I_{th}$	8 A
Utilization category according to EN 60947-5-1	
	AC-15 6A 230V
	DC-13 6A 24V
	AC-12 8 A, 250 V
Short circuit protection according to IEC 60269-1	
	(Fuse) 8A gG
Rated insulation voltage $U_i$	250 V
Rated impulse withstand voltage $U_{imp}$	2,5 kV
Switching current	
	Min. at DC 12V min.10 mA
Connection cross-section	0,34 ... 1,5 mm <sup>2</sup>
Display module	
	AC/DC 12 ... 60 V 60 V LED

[1] Contact closing time < 4 ms contact bounce time < 3 ms

[2] Operating point accuracy  $\pm 0.01$ . The reproducible switching point accuracy refers to the axial travel of the plunger after the switching element ES 502 E has been run-in with approx. 2000 operating cycles.

### Dimension drawing



6	84	24
5	72	24
4	60	24
3	48	24
2	36	19
n ④	$l_3$	a

### Legende

- 1 Operating point
- 2 Free position
- 3 Dog
- 4 n Number of plungers
- 5 Operating voltage for indicator LE060 12V-60V (with LED)
- 6 LED

## Switching element

# ES 502 E



## Instructions

- Betriebsanleitung Präzisions-Reihengrenztaster SN 12/16 mm

	Doc. no.	Version	Language	Download
Betriebsanleitung Präzisions-Reihengrenztaster SN 12/16 mm	032308	08-07/16		 1.2 MB
Mode d'emploi Boîtiers multipistes de précision SN 12/16 mm				
Istruzioni di impiego Finecorsa multipli di precisione SN 12/16 mm				
Operating Instructions Precision Multiple Limit Switches SN 12/16 mm				

## Catalogs

- Positionsschalter und Reihengrenztaster Position Switches and Multiple Limit Switches Interrupteurs de position et boîtiers multipistes

	<b>Doc. no.</b>	<b>Version</b>	<b>Language</b>	<b>Download</b>
Positionsschalter und Reihengrenztaster	157835	01-03/18		 4.1 MB
Interrupteurs de position et boîtiers multipistes	157837	01-03/18		 4.1 MB
Position Switches and Multiple Limit Switches	157836	01-03/18		 4.1 MB

### **CAD data**

CAD data for this item on TraceParts