

ITEM 087517 SN02D08-558SVM5-MC2004

Description	Technical data	Accessories	Downloads
-------------	----------------	-------------	-----------



**Features**

- › plunger spacing 8mm
- › Upright housing, without flange
- › Degree of protection IP67 according to IEC 60529

**Switching elements**

- ES** Snap-action switching contact 1 changeover contact standard
- 552** switching element
- ES** Snap-action switching contact 1 changeover contact suitable for
- 614** switching low currents

**Approvals**



**Mechanical values and environment**

Design	Upright
Housing material	Anodized die-cast alloy
Weight	
	Net 0,14 kg
Ambient temperature	-5 ... 80 °C
Degree of protection	IP67 <b>[1]</b>
Mechanical life	10 x 10 <sup>6</sup>
Contact material	Pure silver (Ag)
Switching principle	Snap-action switching contact
Plunger spacing	8 mm
Installation position	Any
Number of switching elements	2
Number of NC contacts	2
Number of NO contacts	2
Connection	1 x plug connector M12 <b>[2]</b>
Approach speed	0,01 ... 20 m/min
Actuating element	Chisel plunger
Actuating force	15 ... 20 N
Operating point	2,5 ... 33,5
Operating point accuracy	± 0.02 <b>[3]</b>

### Electrical connection ratings

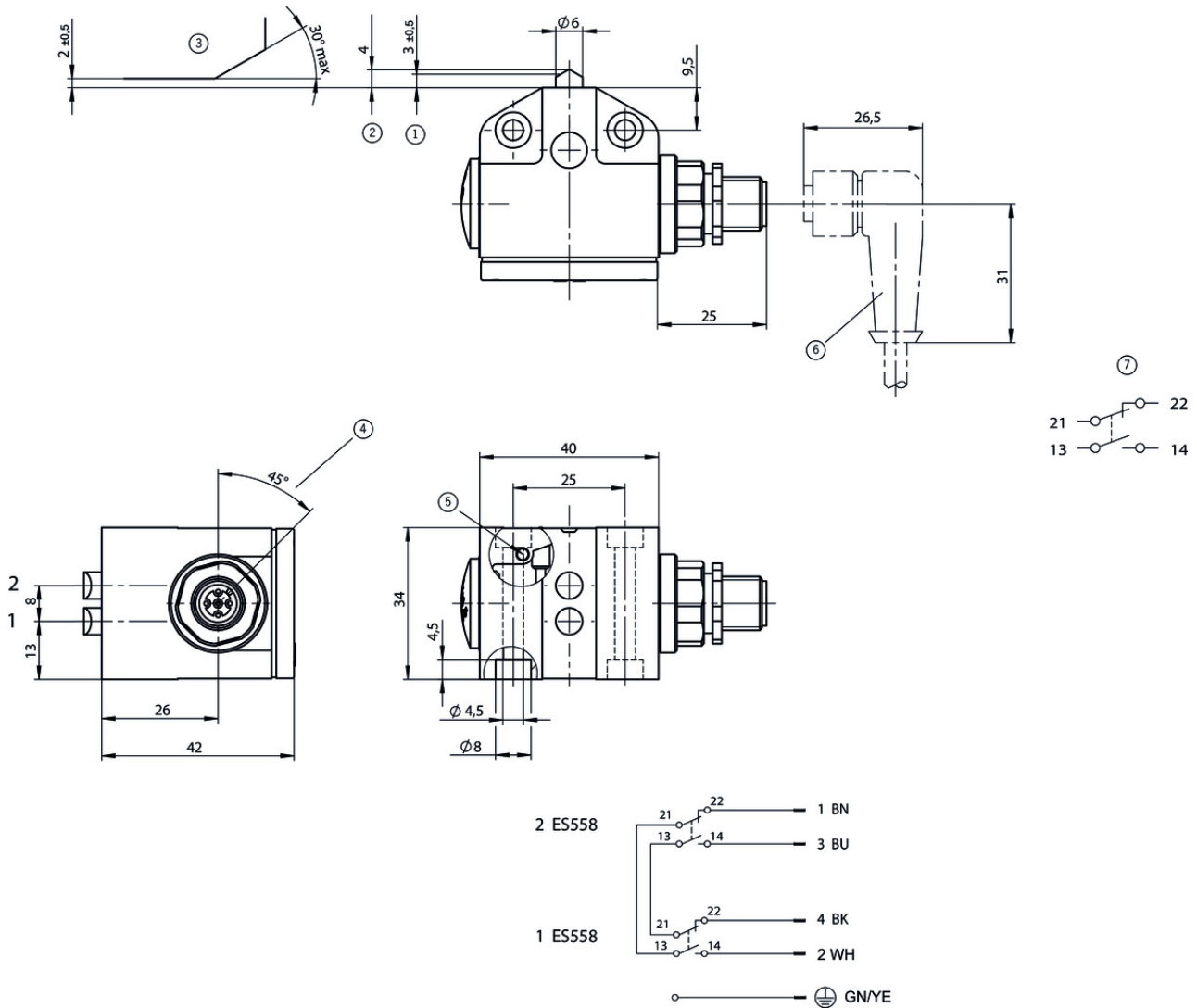
Utilization category according to EN 60947-5-1	
	AC-15 4A 30V
	DC-13 3A 24V
Short circuit protection according to IEC 60269-1	
	(Fuse) 4A gG
Rated insulation voltage U <sub>i</sub>	50 V
Rated impulse withstand voltage U <sub>imp</sub>	1,5 kV
Switching current	
	Min. at DC 5V 10 mA

### Miscellaneous

C number	
	C2004 <b>[4]</b>

- [1] Only screwed tight with the related mating connector.
- [2] 5-pin, angle - plug connector: cable outlet adjustable max. 270° Default setting for cable outlet to the rear.
- [3] The reproducible operating point accuracy refers to the axial travel of the plunger after the switching element has been run-in with approx. 2000 operating cycles.
- [4] Switching element ES558 with NC/NO function. Operating point  $3 \pm 0.5$  mm. Special wiring.

**Dimension drawing**

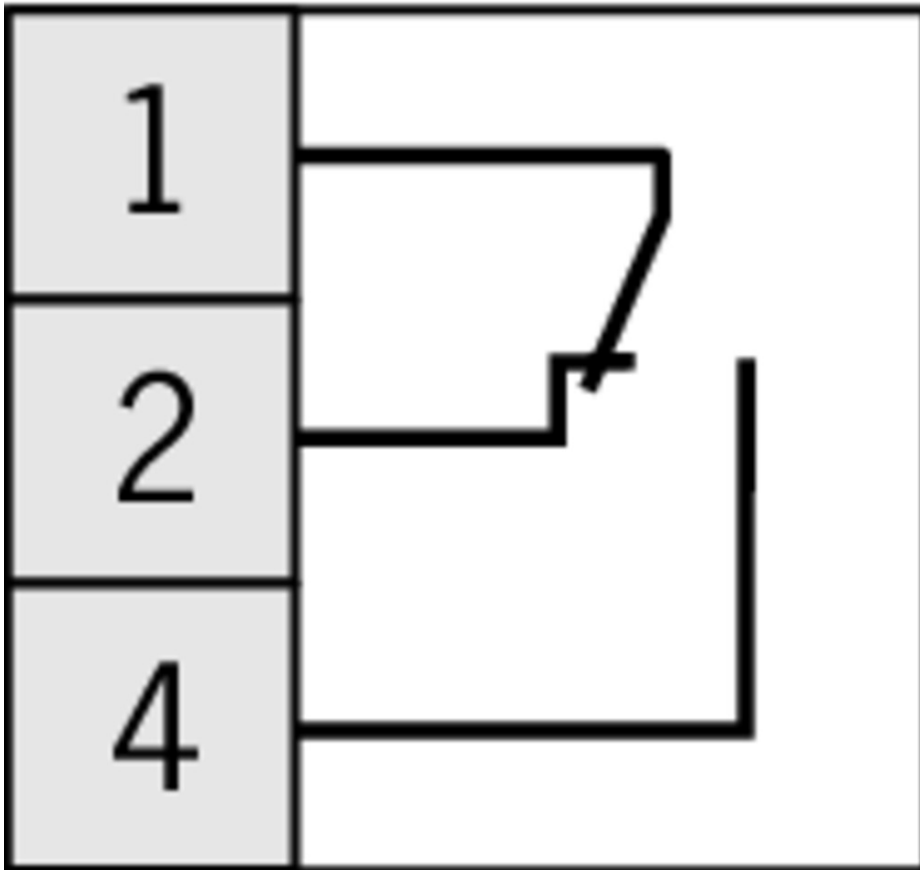


**Legende**

- 1 Operating point
- 2 Max. free position
- 3 Dog
- 4 Guide lug aligned
- 5 (Ground connection)
- 6 Right-angle plug connector: Cable outlet adjustable max. 270° default setting for cable outlet downward.
- 7 Switching element: ES558 with snap-action contact element, 1 NO contact + 1 NC contact



# ES 614



## Connection material

- ▼ Connection cable with straight plug connector M12, 5-pin, 5m



**073461** C-M12F05-05X050PU05,0-GA-073461

▼ Features

- › M12 female plug, 4-pin + PE
- › Straight plug connector
- › PUR cable
- › Halogen-free
- › Cable length 5 m
- › With flying lead
- › Cores color-coded

- ▼ Connection cable with angled plug connector M12, 5-pin, 5m



**073462** C-M12F05-05X050PU05,0-GA-073462





▼ Features

- › M12 female plug, 4-pin + PE
- › Angled plug connector

- › PUR cable
  - › Halogen-free
  - › Cable length 5 m
  - › With flying lead
  - › Cores color-coded
- 

## Instructions

 Betriebsanleitung Präzisions-Reihengrenztaster GL, GS, SB, SN 8 mm

	Doc. no.	Version	Language	Download
Betriebsanleitung Präzisions-Reihengrenztaster GL, GS, SB, SN 8 mm	2076050	05-01/18		 0.6 MB
Mode d'emploi Boîtiers multipistes de précision GL, GS, SB, SN 8 mm				
Istruzioni di impiego Finecorsa multipli di precisione GL, GS, SB, SN 8 mm				
Operating Instructions Precision Multiple Limit Switches GL, GS, SB, SN 8 mm			