

ITEM 088128 SN02D08-552-MC1401

Description	Technical data	Accessories	Downloads
-------------	----------------	-------------	-----------



Features

- › plunger spacing 8mm
- › Upright housing, without flange
- › Degree of protection IP67 according to IEC 60529

Switching elements

ES Snap-action switching contact 1 changeover contact standard
552 switching element

Approvals



Mechanical values and environment

Design

Upright

Housing material	Die-cast aluminum, anodized
Weight	
Net	0,14 kg
Ambient temperature	-5 ... 80 °C
Degree of protection	IP67
Mechanical life	10×10^6 [1]
Contact material	Pure silver (Ag)
Switching principle	Snap-action switching contact
Plunger spacing	8 mm
Installation position	Any
Tightening torque	
Screw terminal switching element	Hexagon socket AF 1.3 mmmax.0,2 Nm
Number of switching elements	2
Number of changeover contacts	2
Connection	2 x M16 x 1.5 [2]
Approach speed	0,01 ... 20 m/min [3]
Actuating element	Chisel plunger
Actuating force	min.15 N
Operating point accuracy	± 0.02 [4]

Electrical connection ratings

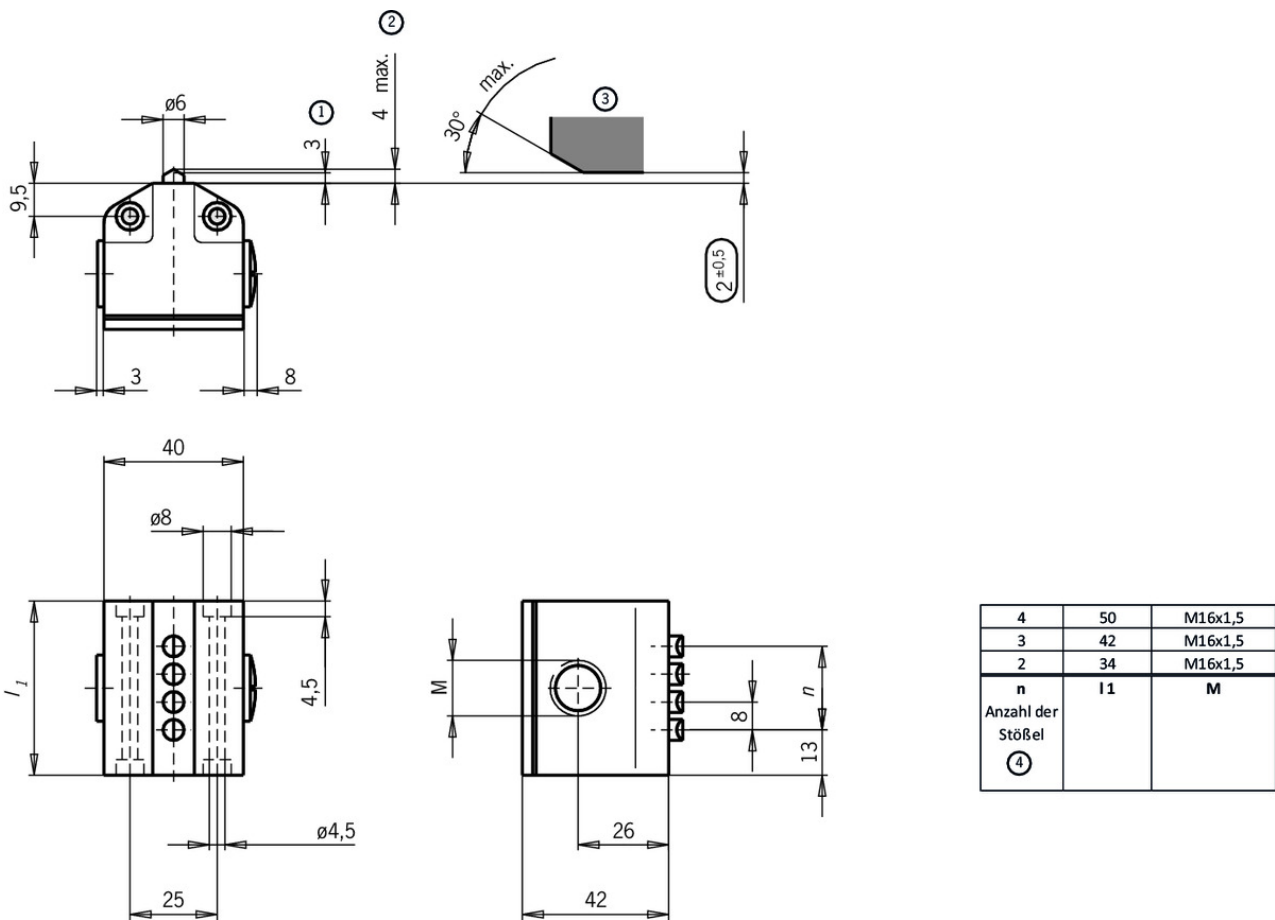
Rated thermal current I_{th}	6 A
Utilization category according to EN 60947-5-1	
AC-15	2A 230V
DC-13	2A 24V
Short circuit protection according to IEC 60269-1	
(Fuse)	6A gG
Rated insulation voltage U_i	250 V
Rated impulse withstand voltage U_{imp}	2,5 kV
Switching current	
Min. at DC 24V	min.10 mA
Connection cross-section	0,14 ... 1,0 mm ²

Miscellaneous

C number	
C1401	[5]

- [1] Switching element
- [2] Cable entry with extended thread, 5 mm and 7 mm.
- [3] The approach speed specified applies in conjunction with EUCHNER trip dogs in accordance with DIN 69639.
- [4] The reproducible operating point accuracy refers to the axial travel of the plunger after the switching element ES552 has been run-in with approx. 2000 operating cycles.
- [5] Two cable entries with extended thread, 5 mm and 7 mm.

Dimension drawing



Legende

- 1 Operating point
- 2 Free position
- 3 Dog
- 4 n Number of plungers

