

ITEM 088131 SN02K08-MC1094

Description	Technical data	Accessories	Downloads
-------------	----------------	-------------	-----------



Features

- › plunger spacing 8mm
- › Upright housing, without flange
- › Degree of protection IP67 according to IEC 60529

Switching elements

- ES** Snap-action switching contact 1 changeover contact standard
- 552** switching element
- ES** Snap-action switching contact 1 changeover contact suitable for
- 614** switching low currents

Approvals



Mechanical values and environment

Design	Upright
Housing material	Die-cast aluminum, anodized
Weight	
	Net 0,14 kg
Ambient temperature	-5 ... 80 °C
Degree of protection	IP67
Mechanical life	10 x 10 ⁶
Contact material	Pure silver (Ag)
Switching principle	Snap-action switching contact
Plunger spacing	8 mm
Installation position	Any
Number of switching elements	2
Number of NC contacts	2
Number of NO contacts	2
Connection	2 x M16 x 1.5
Approach speed	0,01 ... 8 m/min
Actuating element	Ball plunger
Actuating force	15 ... 20 N
Operating point	2,95 ... 33,5
Operating point accuracy	± 0.03 [1]

Electrical connection ratings

Rated thermal current I _{th}	10 A
Utilization category according to EN 60947-5-1	
	AC-15 4A 230V
	DC-13 3A 24V
Short circuit protection according to IEC 60269-1	
	(Fuse) 10A gG
Rated insulation voltage U _i	250 V
Rated impulse withstand voltage U _{imp}	2,5 kV
Switching current	
	Min. at DC 5V min.10 mA
Connection cross-section	0,14 ... 1,0 mm ² [2]

Miscellaneous

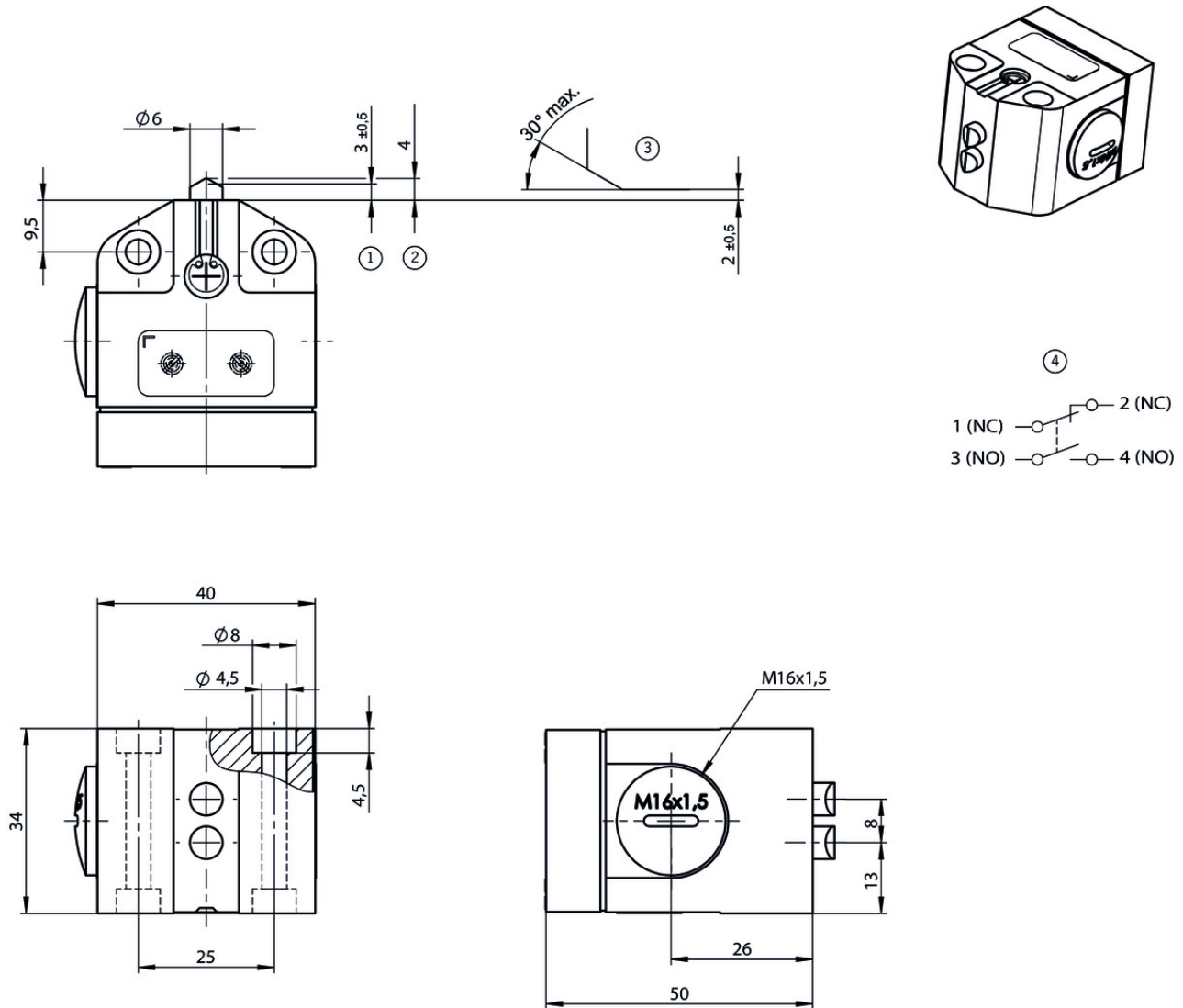
C number	
	C1094 [3]

[1] The reproducible operating point accuracy refers to the axial travel of the plunger after the switching element has been run-in with approx. 2000 operating cycles.

[2] Soldered connection

[3] Switching element ES558 with NC/NO function. Operating point 3 ± 0.5 mm

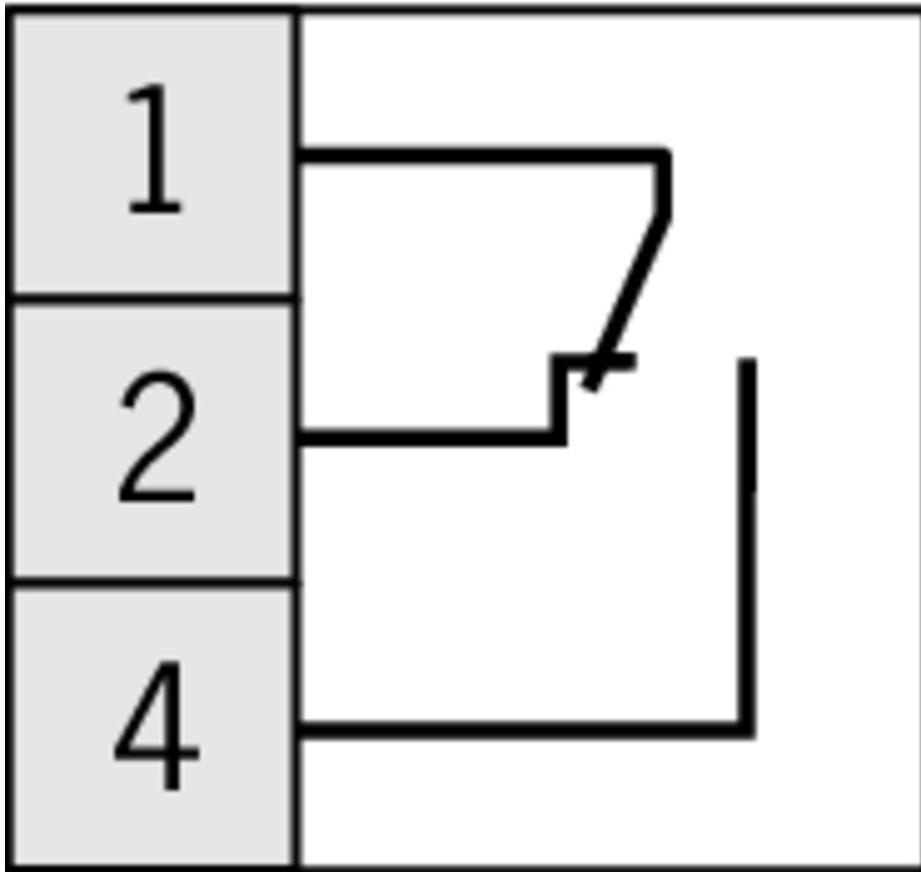
Dimension drawing



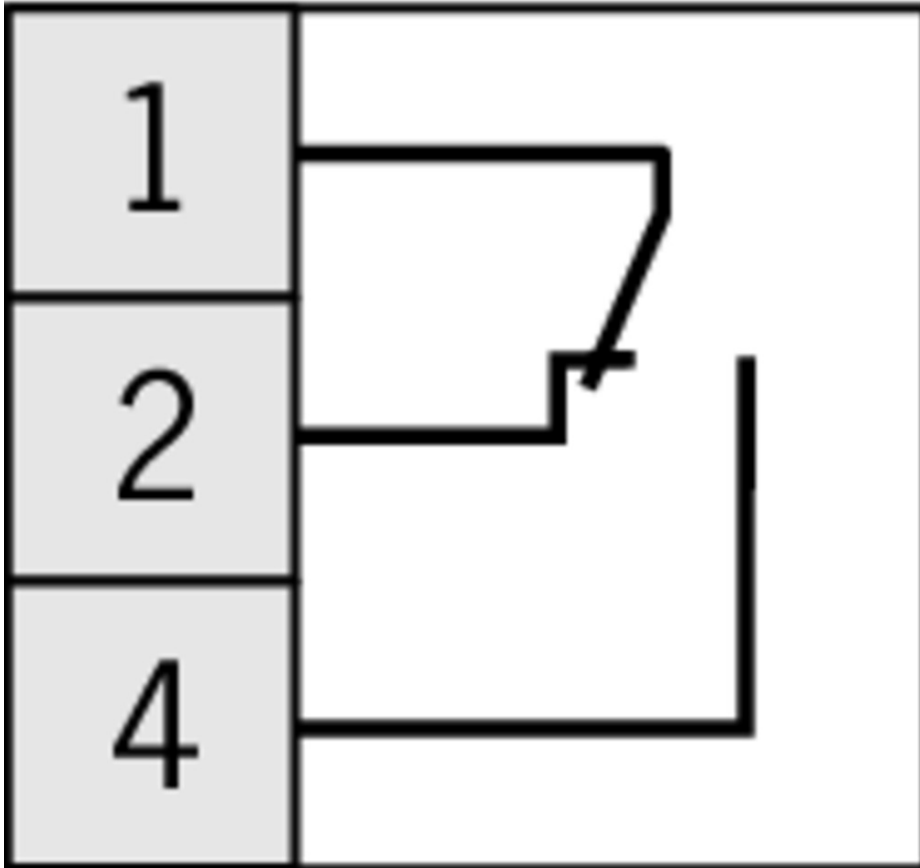
Legende

- 1 Operating point
- 2 Max. free position
- 3 Dog
- 4 Switching element: ES558 with snap-action contact element 1 NO contact + 1 NC contact

ES 552



ES 614



Instructions

Betriebsanleitung Präzisions-Reihengrenztaster GL, GS, SB, SN 8 mm

	Doc. no.	Version	Language	Download
Betriebsanleitung Präzisions-Reihengrenztaster GL, GS, SB, SN 8 mm	2076050	05-01/18		0.6 MB
Mode d'emploi Boîtiers multipistes de précision GL, GS, SB, SN 8 mm				
Istruzioni di impiego Finecorsa multipli di precisione GL, GS, SB, SN 8 mm				
Operating Instructions Precision Multiple Limit Switches GL, GS, SB, SN 8 mm				