

ITEM 088162 SN02D16-502-MC1938

Description	Technical data	Accessories	Downloads
-------------	----------------	-------------	-----------



Features

- › plunger spacing 16 mm
- › Upright housing, small flange
- › Degree of protection IP67 according to IEC 60529

Switching element

ES 502 E Snap-action switching contact 1 NC + 1 NO

Approvals



Mechanical values and environment

Contact bounce time	< 3
Contact closing time	< 4

Design	Upright
Housing material	Die-cast aluminum, anodized
Weight	
	Net 0,45 kg
Ambient temperature	-5 ... 80 °C
Degree of protection	IP67 ^[1]
Mechanical life	min.30 x 10 ⁶
Contact material	Silver alloy, gold flashed
Switching principle	Snap-action switching contact
Plunger spacing	16 mm
Installation position	Any
Number of switching elements	2
Number of NC contacts	2
Number of NO contacts	2
Connection	
	1 x Plug connector M12 ^[2]
Approach speed	
	max. 0,01 ... 40 m/min
Actuating element	Chisel plunger ^[3]
Actuating force	min.20 N

Electrical connection ratings

Rated thermal current I _{th}	4 A
Utilization category according to EN 60947-5-1	
	AC-15 4A 30V
	DC-13 4A 24V
Short circuit protection according to IEC 60269-1	
	(Fuse) 4A gG
Rated insulation voltage U _i	50 V
Rated impulse withstand voltage U _{imp}	1,5 kV
Switching current	
	Min. at DC 12V min.10 mA

Miscellaneous

C number	
	C1938 ^[4]

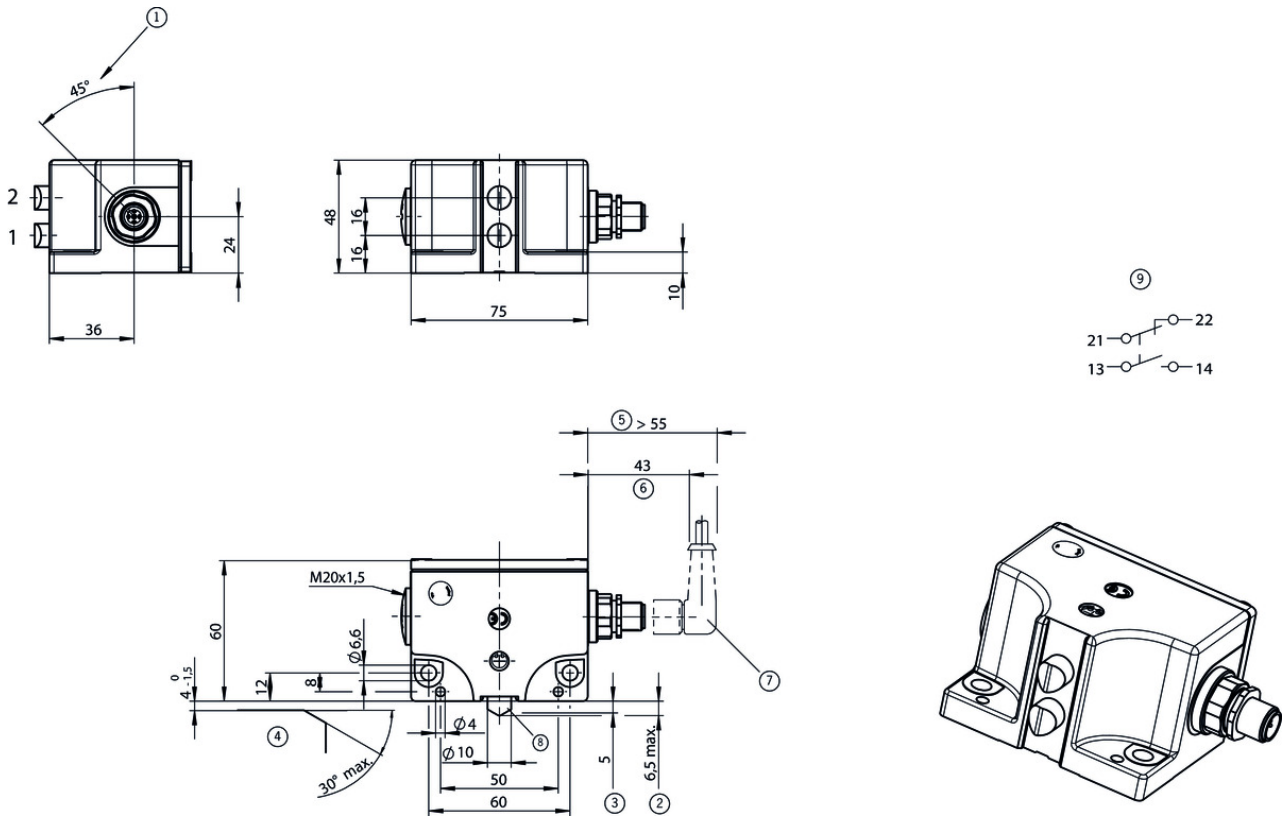
[1] (only screwed tight with the related mating connector)

[2] 5-pin, right

[3] Operating point accuracy ± 0.002 . The reproducible switching point accuracy refers to the axial travel of the plunger after the switching element ES 502 E has been run-in with approx. 2000 operating cycles.

[4] SN with special housing and plug connector.

Dimension drawing



Legende

1 Guide lug aligned

2 Free position

3 Operating point

4 Dog

5 Right-angle plug connector

6 Inserted

7 Right-angle plug connector: Plug connector adjustable to a max. of 270°. Default setting for cable outlet to the right.

8 A shorter mechanical life is to be anticipated if the plunger is over-actuated.

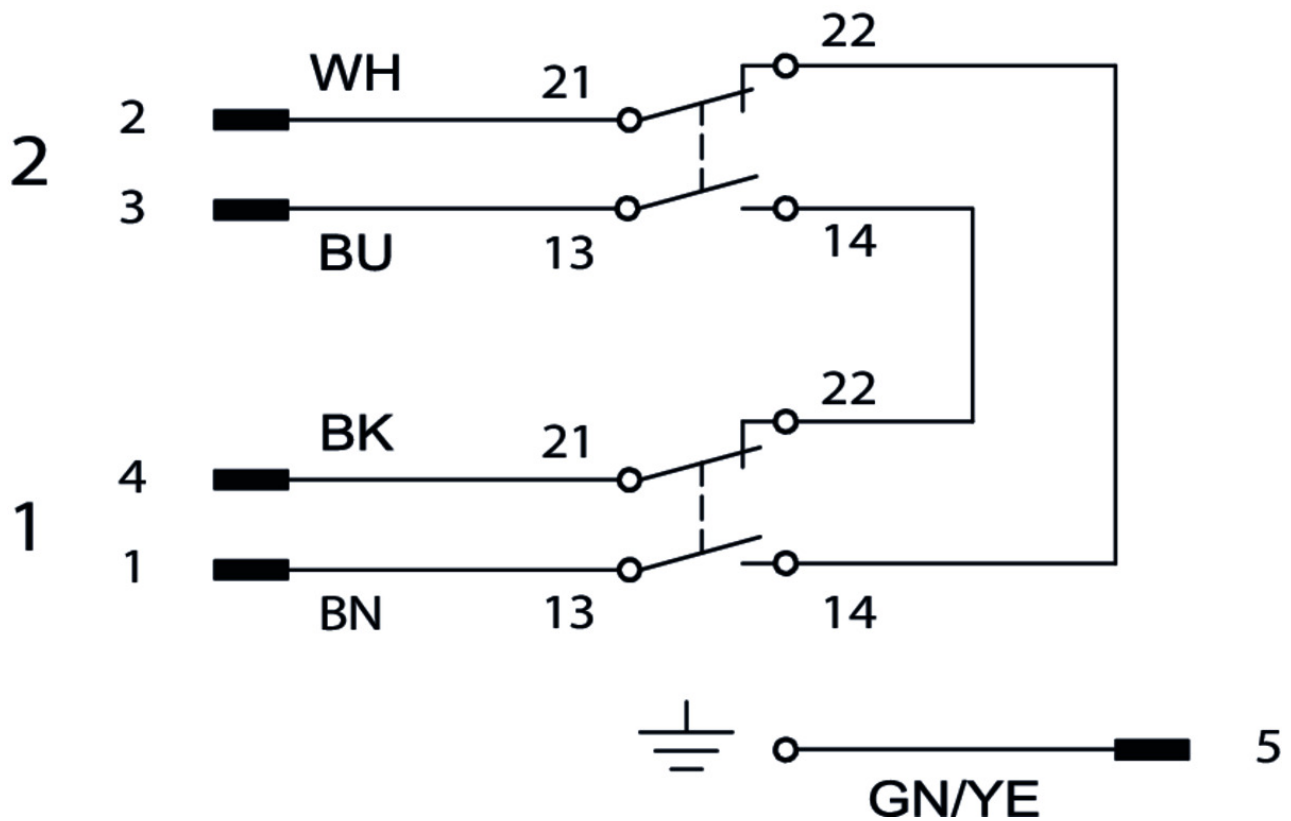
9 Snap-action switching contact with one NO contact and one NC contact. Double gap contacts, electrically isolated switching contacts.

Switching element

ES 502 E



Wiring diagram



Connection material

- ✓ Connection cable with straight plug connector M12, 5-pin, 5m



073461 C-M12F05-05X050PU05,0-GA-073461

✓ Features

- › M12 female plug, 4-pin + PE
- › Straight plug connector
- › PUR cable
- › Halogen-free
- › Cable length 5 m
- › With flying lead
- › Cores color-coded

- ✓ Connection cable with angled plug connector M12, 5-pin, 5m







073462 C-M12F05-05X050PU05,0-GA-073462

✓ Features

- › M12 female plug, 4-pin + PE
- › Angled plug connector
- › PUR cable
- › Halogen-free
- › Cable length 5 m
- › With flying lead
- › Cores color-coded

Instructions

✓ Betriebsanleitung Präzisions-Reihengrenztaster SN 12/16 mm

	Doc. no.	Version	Language	Download
Betriebsanleitung Präzisions-Reihengrenztaster SN 12/16 mm	032308	08-07/16		 1.2 MB
Mode d'emploi Boîtiers multipistes de précision SN 12/16 mm				
Istruzioni di impiego Finecorsa multipli di precisione SN 12/16 mm				
Operating Instructions Precision Multiple Limit Switches SN 12/16 mm			