

ITEM 089634 SN02D12-502-MC1794

Description	Technical data	Accessories	Downloads
-------------	----------------	-------------	-----------



Features

- › plunger spacing 12 mm
- › Upright housing, small flange
- › Degree of protection IP67 according to IEC 60529

Switching element

ES 502 E Snap-action switching contact 1 NC + 1 NO

Approvals



Mechanical values and environment

Contact bounce time	< 3
Contact closing time	< 4

Design	Upright
Housing material	Die-cast aluminum, anodized
Weight	
	Net 0,5 kg
Ambient temperature	-5 ... 80 °C
Degree of protection	IP67 [1]
Mechanical life	30 x 10 ⁶
Contact material	Silver alloy, gold flashed
Switching principle	Snap-action switching contact
Plunger spacing	12 mm
Installation position	Any
Number of switching elements	2
Number of NC contacts	2
Number of NO contacts	2
Connection	1 x plug connector M23 [2]
Approach speed	0,01 ... 40 m/min
Actuating element	Chisel plunger
Actuating force	min.20 N
Operating point accuracy	± 0.002 [3]

Electrical connection ratings

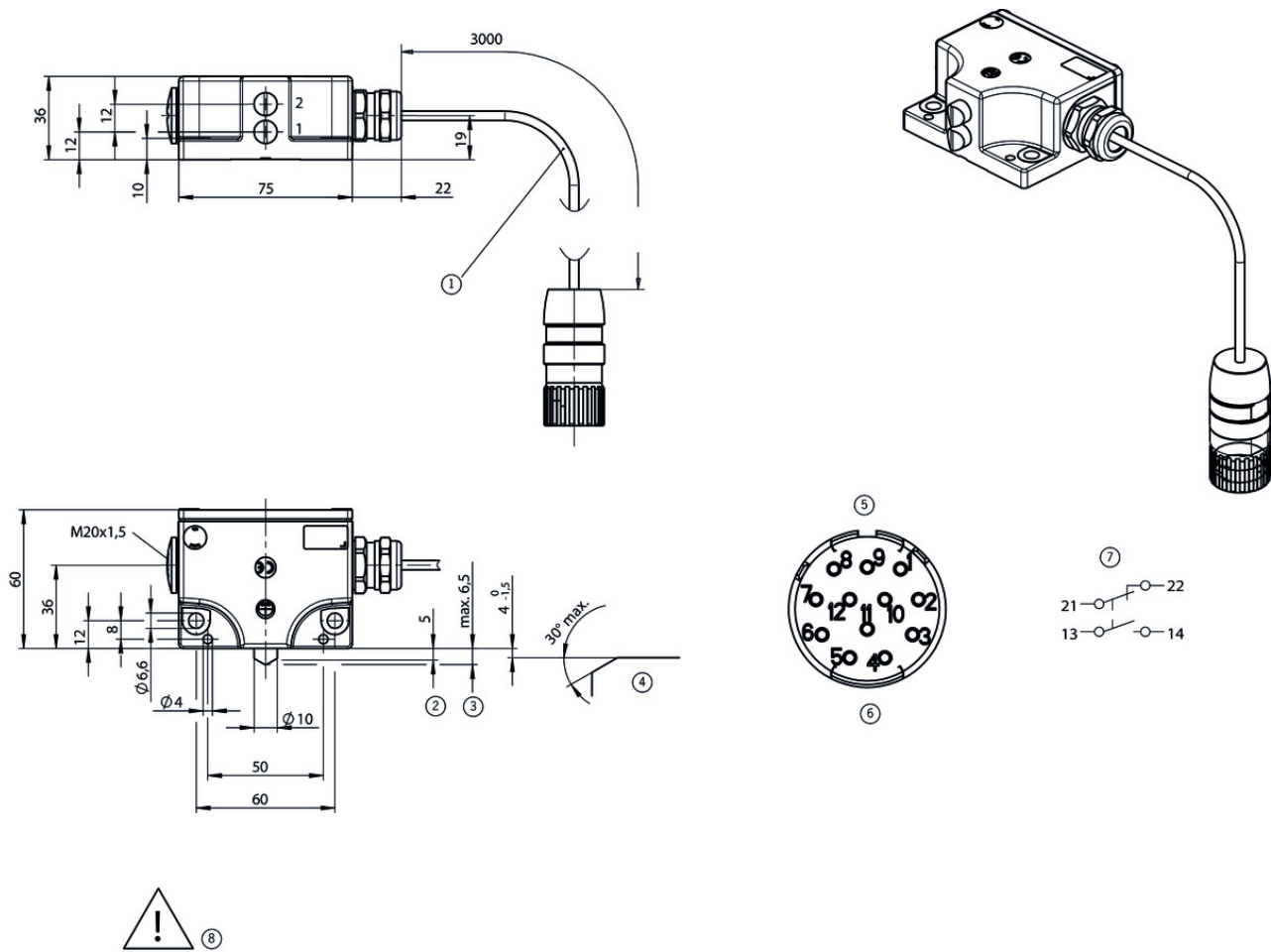
Utilization category according to EN 60947-5-1	
	AC-15 6A 50V
	DC-13 6A 24V
Short circuit protection according to IEC 60269-1	
	(Fuse) 8A gG
Rated insulation voltage U _i	50 V
Rated impulse withstand voltage U _{imp}	1,5 kV
Switching current	
	Min. at DC 12V min.10 mA

Miscellaneous

C number	
	C1794 [4]
Additional information	Housing without earth conductor! [5]

- [1] Only screwed tight with the related mating connector
- [2] Coninvers, UC-12P1N1280DU, 12-pin, with screened 3000mm cable. Mounted on right
- [3] The reproducible switching point accuracy refers to the axial travel of the plunger after the switching element ES 502 E has been run-in with approx. 2000 operating cycles.
- [4] Switching elements run in with 1000 operating cycles. Coninvers plug connector 12-pin with 3000mm cable, mounted on right.
- [5] All the electrical connections must either be isolated from the mains supply by a safety transformer according IEC 61558-2-6 with limited output voltage in the event of a fault, or by other equivalent isolation measures.

Dimension drawing



Legende

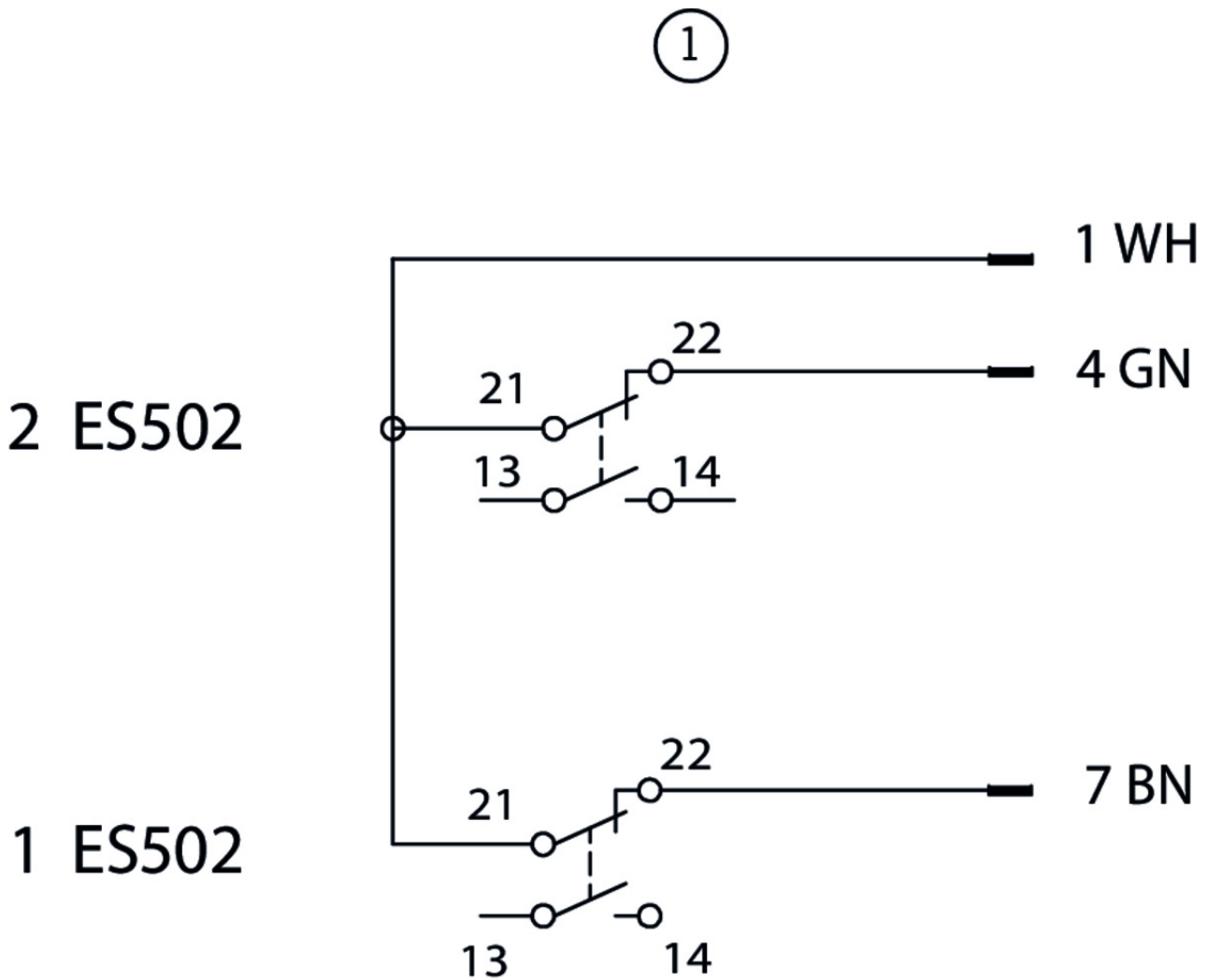
- 1 Cable 3x0.75, screened, color code DIN 47100
- 2 Operating point
- 3 Free position
- 4 Dog
- 5 View of connection side
- 6 Male plug connector, 12-pin, PHONIX CONTACT UC-12P1N1280DU
- 7 Switching element: ES502E snap-action switching contact with 1 normally open and 1 normally closed contact. Double gap contacts, electrically isolated switching contacts.
- 8 Housing without earth conductor!

Switching element

ES 502 E



Connection diagram



Legende

1 Connect screen to plug screen.

Instructions

Betriebsanleitung Präzisions-Reihengrenztaster SN 12/16 mm

	Doc. no.	Version	Language	Download
Betriebsanleitung Präzisions-Reihengrenztaster SN 12/16 mm	032308	08-07/16		1.2 MB
Mode d'emploi Boîtiers multipistes de précision SN 12/16 mm				
Istruzioni di impiego Finecorsa multipli di precisione SN 12/16 mm				
Operating Instructions Precision Multiple Limit Switches SN 12/16 mm				

