

ITEM 090461 SN04R12-508-M

Description	Technical data	Accessories	Downloads
-------------	----------------	-------------	-----------



### Features

- › plunger spacing 12 mm
- › Upright housing, small flange
- › Degree of protection IP67 according to IEC 60529

### Switching element

**ES 508** Slow-action switching contact 1 NC $\rightarrow$

On the usage of safety switching elements, the dog distance (3.0.5) must be maintained to achieve the positively driven travel. The dogs must be positively mounted according to EN ISO 14119, i.e. riveted, welded or secured in some other way against becoming loose.

### Approvals



## Mechanical values and environment

Design	Upright
Housing material	Die-cast aluminum, anodized
Weight	
Net	0,5 kg
Ambient temperature	-5 ... 80 °C
Degree of protection	IP67
Mechanical life	$30 \times 10^6$
Contact material	Silver alloy, gold flashed
Switching principle	Slow-action switching contact
Plunger spacing	12 mm
Installation position	Any
Number of switching elements	4
Number of positively driven contacts	4
Connection	
2 x	M20 x 1.5
Approach speed	
max.	0,01 ... 80 m/min
Actuating element	
Plain bearing	Roller plunger
Actuating force	min.15 N

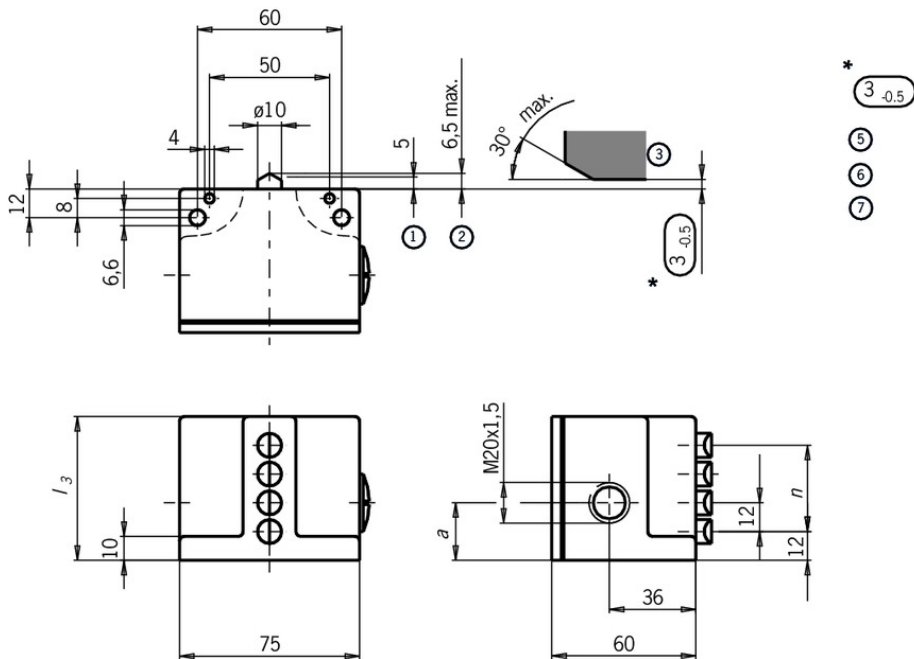
## Electrical connection ratings

Rated thermal current $I_{th}$	10 A
Utilization category according to EN 60947-5-1	
AC-15	6A 230V
DC-13	6A 24V
Short circuit protection according to IEC 60269-1	
(Fuse)	10A gG
Rated insulation voltage $U_i$	250 V
Rated impulse withstand voltage $U_{imp}$	4 kV
Switching current	
Min. at DC 24V	min.10 mA
Connection cross-section	0,34 ... 1,5 mm <sup>2</sup>

## Reliability values acc. to EN ISO 13849-1

B10 <sub>D</sub>	$20 \times 10^6$
------------------	------------------

## Dimension drawing

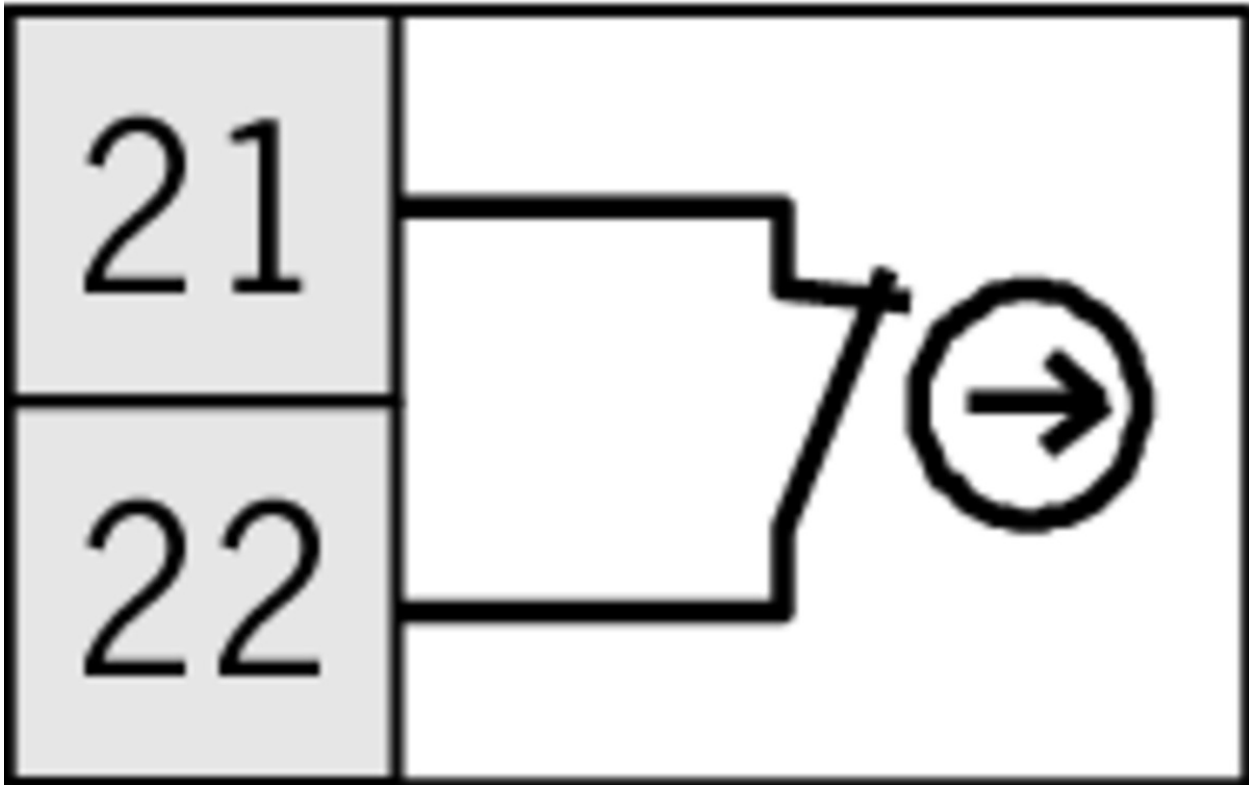


6	84	24
5	72	24
4	60	24
3	48	24
2	36	19
<b>n</b>	<b>13</b>	<b>a</b>
Anzahl der Stößel ④		

## Legende

- 1 Operating point
- 2 Free position
- 3 Dog
- 4 n Number of plungers
- \* Safety switching element ES 508E positively driven. Positive opening function is dependent on maintaining this distance.
- 5 Actuators (dogs) must be connected to the machine in a flush position.
- 6 Switch can be replaced only with the same type.
- 7 Pressure sensitive label 041734 applied.

# ES 508



## Instructions

Betriebsanleitung Präzisions-Reihengrenztaster SN 12/16 mm

	Doc. no.	Version	Language	Download
Betriebsanleitung Präzisions-Reihengrenztaster SN 12/16 mm Mode d'emploi Boîtiers multipistes de précision SN 12/16 mm Istruzioni di impiego Finecorsa multipli di precisione SN 12/16 mm Operating Instructions Precision Multiple Limit Switches SN 12/16 mm	032308	08-07/16	   	1.2 MB

## CAD data

CAD data for this item on TraceParts