

ITEM 091446 SN02R16-508-M

| Description | Technical data | Accessories | Downloads |
|-------------|----------------|-------------|-----------|
|-------------|----------------|-------------|-----------|



### Features

- › plunger spacing 16 mm
- › Upright housing, small flange
- › Degree of protection IP67 according to IEC 60529

### Switching element

**ES 508** Slow-action switching contact 1 NC →

On the usage of safety switching elements, the dog distance (3.0.5) must be maintained to achieve the positively driven travel. The dogs must be positively mounted according to EN ISO 14119, i.e. riveted, welded or secured in some other way against becoming loose.

### Approvals



## Mechanical values and environment

|                                      |                               |
|--------------------------------------|-------------------------------|
| Design                               | Upright                       |
| Housing material                     | Die-cast aluminum, anodized   |
| Weight                               |                               |
| Net                                  | 0,45 kg                       |
| Ambient temperature                  | -5 ... 80 °C                  |
| Degree of protection                 | IP67                          |
| Mechanical life                      | $30 \times 10^6$              |
| Contact material                     | Silver alloy, gold flashed    |
| Switching principle                  | Slow-action switching contact |
| Plunger spacing                      | 16 mm                         |
| Installation position                | Any                           |
| Number of switching elements         | 2                             |
| Number of positively driven contacts | 2                             |
| Connection                           |                               |
| 2 x                                  | M20 x 1.5                     |
| Approach speed                       |                               |
| max.                                 | 0,01 ... 80 m/min             |
| Actuating element                    |                               |
| Plain bearing                        | Roller plunger                |
| Actuating force                      | min.15 N                      |

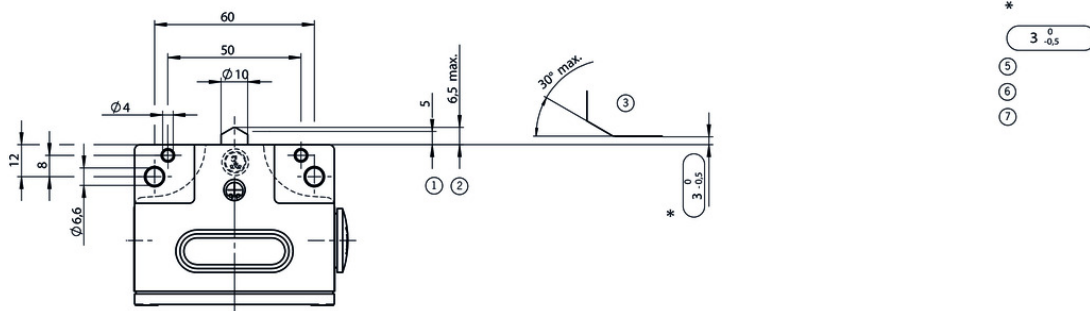
## Electrical connection ratings

|   |                              |
|---|------------------------------|
| Rated thermal current $I_{th}$                    | 10 A                         |
| Utilization category according to EN 60947-5-1    |                              |
| AC-15   | 6A 230V                      |
| DC-13   | 6A 24V                       |
| Short circuit protection according to IEC 60269-1 |                              |
| (Fuse)  | 10A gG                       |
| Rated insulation voltage $U_i$                    | 250 V                        |
| Rated impulse withstand voltage $U_{imp}$         | 4 kV                         |
| Switching current                                 |                              |
| Min. at DC 24V                                    | min.10 mA                    |
| Connection cross-section                          | 0,34 ... 1,5 mm <sup>2</sup> |

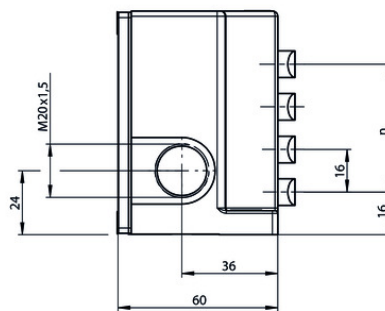
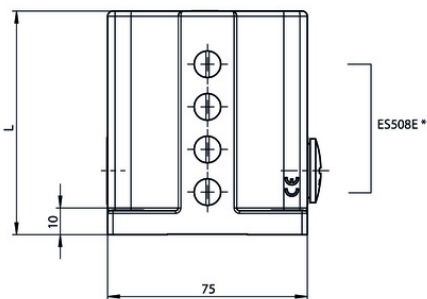
## Reliability values acc. to EN ISO 13849-1

|                  |                  |
|------------------|------------------|
| B10 <sub>D</sub> | $20 \times 10^6$ |
|------------------|------------------|

## Dimension drawing



\*  
 $3 \begin{smallmatrix} 0 \\ -0.5 \end{smallmatrix}$   
 5  
 6  
 7



|                      |    |
|----------------------|----|
| 4                    | 84 |
| 3                    | 72 |
| 2                    | 48 |
| n                    | L  |
| Anzahl der<br>Stößel |    |
| ④                    |    |

## Legende

1 Operating point

2 Free position

3 Dog

4 n Number of plungers

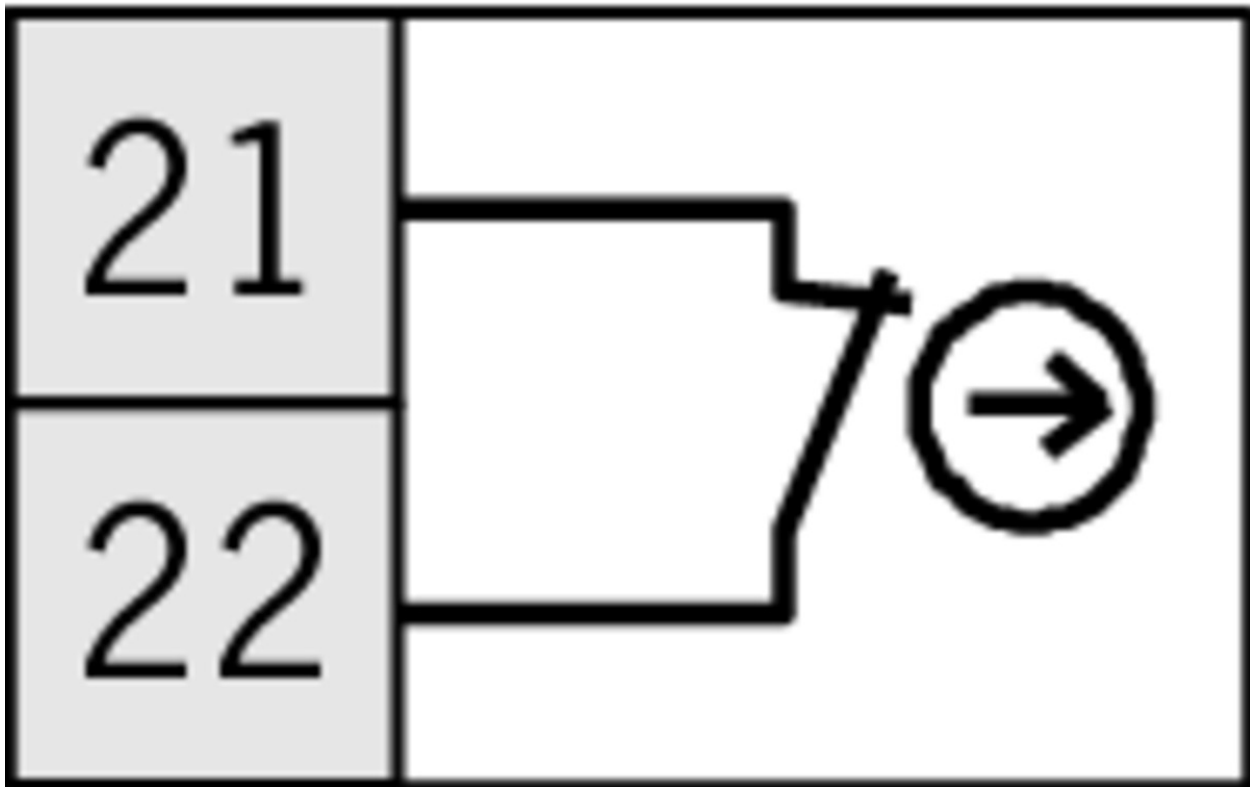
\* Safety switching element ES 508E positively driven. Positive opening function is dependent on maintaining this distance.

5 Actuators (dogs) must be connected to the machine in a flush position.

6 Switch can be replaced only with the same type.

7 Pressure sensitive label 041734 applied.

# ES 508



## Instructions

- Betriebsanleitung Präzisions-Reihengrenztaster SN 12/16 mm

|  | Doc. no. | Version  | Language | Download |
|--|----------|----------|----------|----------|
| Betriebsanleitung Präzisions-Reihengrenztaster SN 12/16 mm           | 032308   | 08-07/16 |          | 1.2 MB   |
| Mode d'emploi Boîtiers multipistes de précision SN 12/16 mm          |          |          |          |          |
| Istruzioni di impiego Finecorsa multipli di precisione SN 12/16 mm   |          |          |          |          |
| Operating Instructions Precision Multiple Limit Switches SN 12/16 mm |          |          |          |          |

## Declaration of conformity

- EU prohlášení o shodě

Doc. no. Version Language Download

|                                 |         |          |   |  |
|---------------------------------|---------|----------|---|--|
| EU-Konformitätserklärung        | 2077153 | 25-02/17 |   |  0.3 MB  |
| Declaración UE de conformidad   |         |          |  |  |
| Déclaration UE de conformité    |         |          |  |  |
| Dichiarazione di conformità     |         |          |  |  |
| EU declaration of conformity    |         |          |  |  |
| EU prohlášení o shodě           | 2077153 | 25-02/17 |  |  0.5 MB |
| EU-overensstemmelseserklæring   |         |          |  |  |
| Δήλωση συμμόρφωσης της ΕΕ       |         |          |  |  |
| EU-vaatimustenmukaisuusvakuutus |         |          |  |  |
| EU-típusbizonyítvány            |         |          |  |  |
| EU-conformiteitsverklaring      |         |          |  |  |
| Deklaracja zgodności UE         |         |          |  |  |
| Declaração de Conformidade UE   |         |          |  |  |
| Declarația de conformitate UE   |         |          |  |  |
| EÚ vyhlásenie o zhode           |         |          |  |  |

### CAD data

CAD data for this item on TraceParts