

ITEM 095051 SN02D08-552-MC2029

Description	Technical data	Accessories	Downloads
-------------	----------------	-------------	-----------



Features

- › plunger spacing 8mm
- › Upright housing, without flange
- › Degree of protection IP67 according to IEC 60529

Switching elements

ES Snap-action switching contact 1 changeover contact standard
552 switching element

Approvals



Mechanical values and environment

Design

Upright

Housing material	Die-cast aluminum, anodized
Weight	
Net	0,14 kg
Ambient temperature	-5 ... 80 °C
Degree of protection	IP67 [1]
Mechanical life	10 x 10 ⁶ [2]
Contact material	Pure silver (Ag)
Switching principle	Snap-action switching contact
Plunger spacing	8 mm
Installation position	Any
Number of switching elements	2
Number of changeover contacts	2
Connection	1 x plug connector M12 [3]
Approach speed	0,01 ... 20 m/min
Actuating element	Chisel plunger
Actuating force	min.15 N
Operating point	2,5 ... 33,5
Operating point accuracy	± 0.02 [4]

Electrical connection ratings

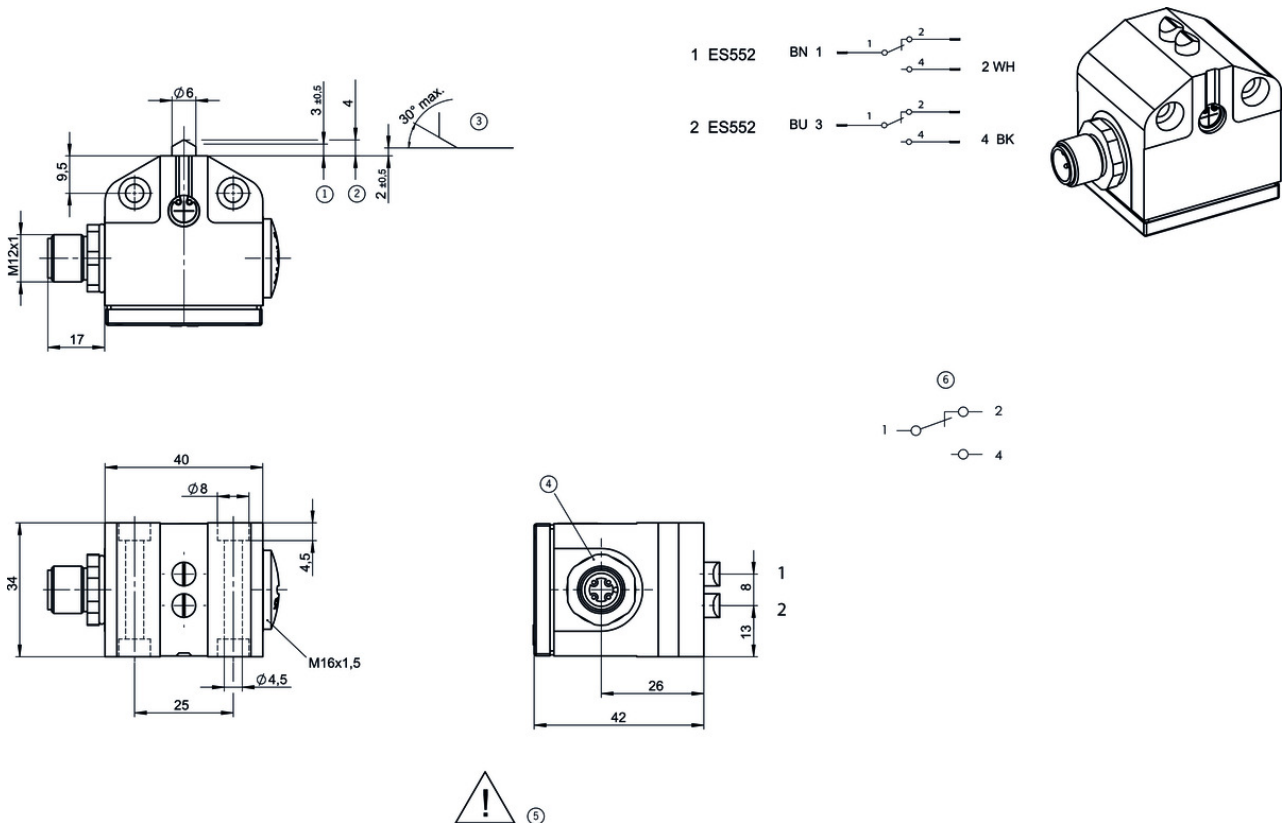
Utilization category according to EN 60947-5-1	
AC-15	2A 30V
DC-13	2A 24V
Short circuit protection according to IEC 60269-1	
(Fuse)	2A gG
Rated insulation voltage U _i	50 V
Rated impulse withstand voltage U _{imp}	2,5 kV
Switching current	
Min. at DC 24V	min.10 mA

Miscellaneous

C number	
C2029	[5]
Additional information	Housing without earth conductor! [6]

- [1] Only screwed tight with the related mating connector
- [2] Switching element
- [3] 4-pin, not adjustable. Only for straight mating connectors. Mounted on left.
- [4] The reproducible switching point accuracy refers to the axial travel of the plunger after the switching element ES 552 has been run-in with approx. 2000 operating cycles.
- [5] Plug connector RSFM4 not adjustable. Only for straight mating connectors. Special wiring
- [6] All the electrical connections must either be isolated from the mains supply by a safety transformer according IEC 61558-2-6 with limited output voltage in the event of a fault, or by other equivalent isolation measures.

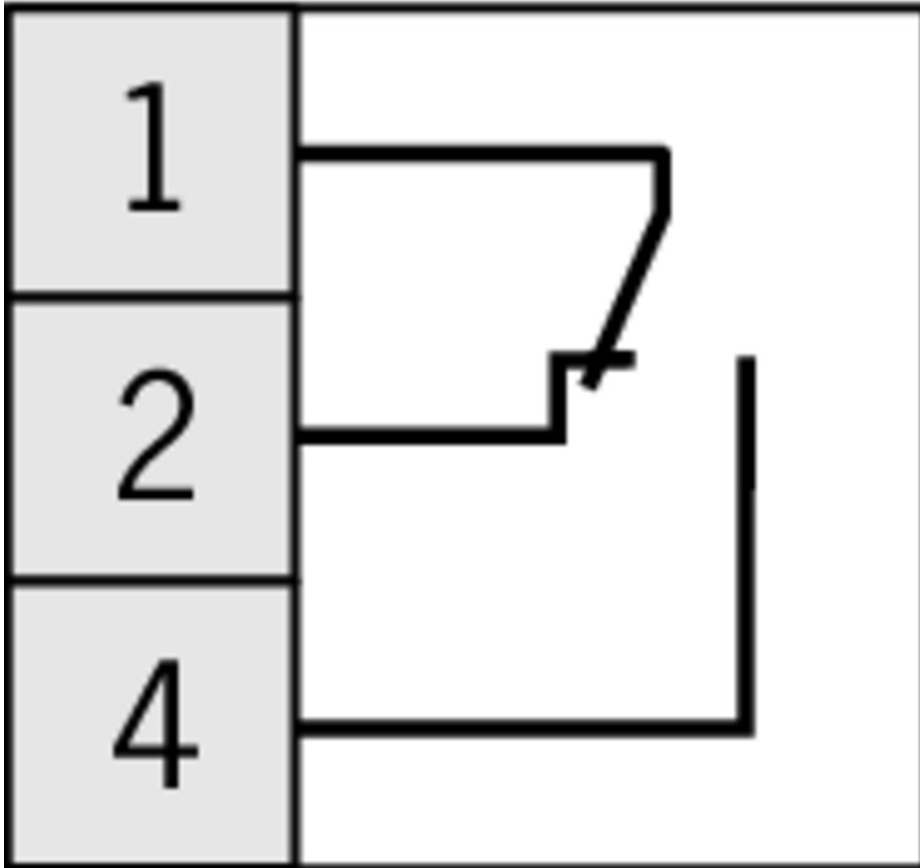
Dimension drawing



Legende

- 1 Operating point
- 2 Max. free position
- 3 Dog
- 4 Plug coding not adjustable. Only suitable for straight plug connectors. Screwed in with 075743.
- 5 Housing without earth conductor! All the electrical connections must either be isolated from the mains supply by a safety transformer according IEC 61558-2-6 with limited output voltage in the event of a fault, or by other equivalent isolation measures.
- 6 Switching element: ES552 with snap-action contact element 1 changeover contact

ES 552



Connection material

Plug connector M12







035613 C-M12F04-04X034PU05,0-GA-035613

Features

- › M12 female plug, 4-pin
- › Straight plug connector
- › PUR cable
- › Halogen-free
- › Cable length 5 m
- › With flying lead
- › Cores color-coded

Instructions

▼ Betriebsanleitung Präzisions-Reihengrenztaster GL, GS, SB, SN 8 mm

	Doc. no.	Version	Language	Download
Betriebsanleitung Präzisions-Reihengrenztaster GL, GS, SB, SN 8 mm	2076050	05-01/18		 0.6 MB
Mode d'emploi Boîtiers multipistes de précision GL, GS, SB, SN 8 mm				
Istruzioni di impiego Finecorsa multipli di precisione GL, GS, SB, SN 8 mm				
Operating Instructions Precision Multiple Limit Switches GL, GS, SB, SN 8 mm			