

**ITEM 100169 SN04B12-514-M**

Description	Technical data	Accessories	Downloads
-------------	----------------	-------------	-----------



**Features**

- › plunger spacing 12 mm
- › Upright housing, small flange
- › Degree of protection IP67 according to IEC 60529

**Switching element**

**ES 514** Snap-action switching contact 1 NC $\rightarrow$  + 1 NO

On the usage of safety switching elements, the dog distance (3.0.5) must be maintained to achieve the positively driven travel. The dogs must be positively mounted according to EN ISO 14119, i.e. riveted, welded or secured in some other way against becoming loose.

**Approvals**



## Mechanical values and environment

Design	Upright
Housing material	Die-cast aluminum, anodized
Weight	
Net	0,5 kg
Ambient temperature	-5 ... 80 °C
Degree of protection	IP67
Mechanical life	$1 \times 10^6$
Contact material	Silver alloy, gold flashed
Switching principle	Snap-action switching contact <b>[1]</b>
Plunger spacing	12 mm
Installation position	Any
Number of switching elements	4
Number of positively driven contacts	4
Number of NO contacts	4
Connection	
	2 x M20 x 1.5
Approach speed	
max.	0,01 ... 120 m/min
Actuating element	
Ball bearing	Roller plunger
Actuating force	min.30 N

## Electrical connection ratings

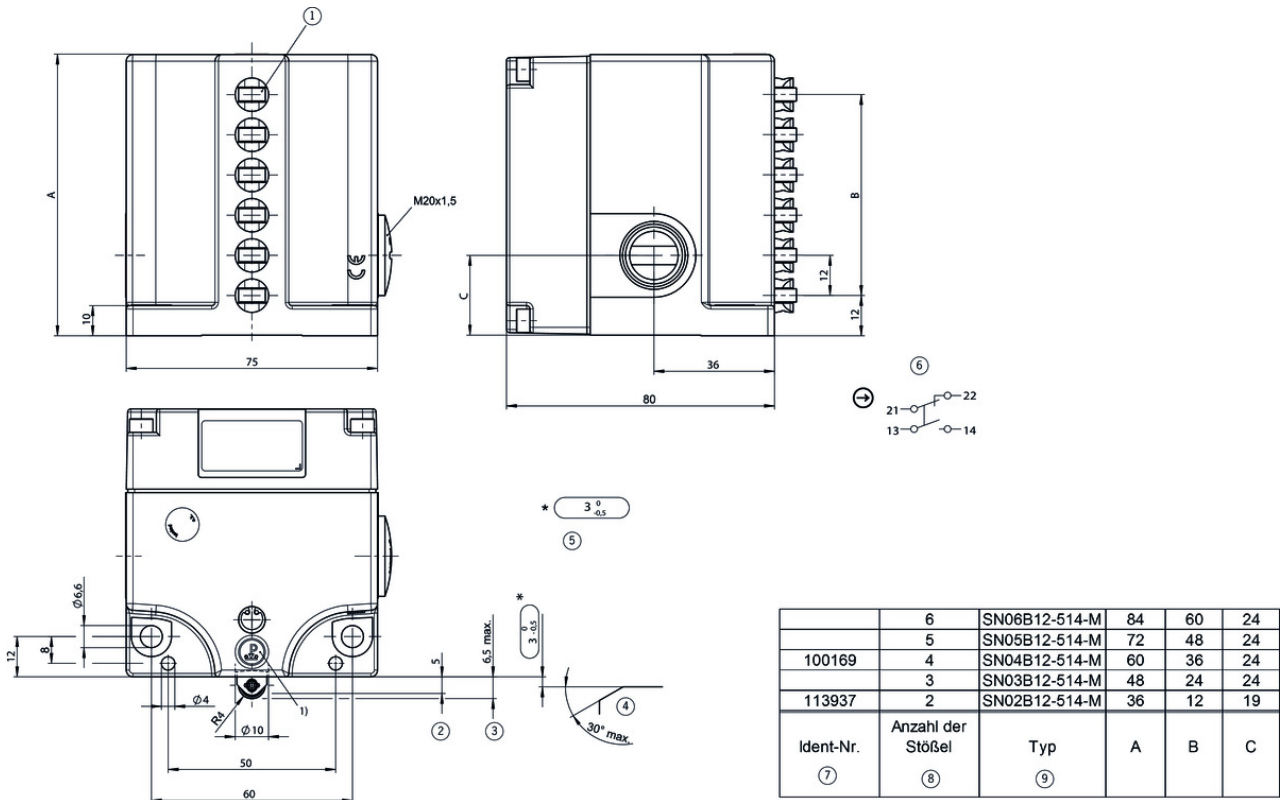
Rated thermal current $I_{th}$	10 A
Utilization category according to EN 60947-5-1	
AC-15	2.5A 230V
DC-13	6A 24V
Short circuit protection according to IEC 60269-1	
(Fuse)	6A gG
Rated insulation voltage $U_i$	250 V
Rated impulse withstand voltage $U_{imp}$	4 kV
Switching current	
Min. at DC 24V	min.5 mA
Connection cross-section	0,34 ... 1,5 mm <sup>2</sup>

## Reliability values acc. to EN ISO 13849-1

B10 <sub>D</sub>	$2 \times 10^6$
------------------	-----------------

**[1]** Contact closing time  $\leq 5$  ms contact bounce time  $\leq 3$  ms

## Dimension drawing

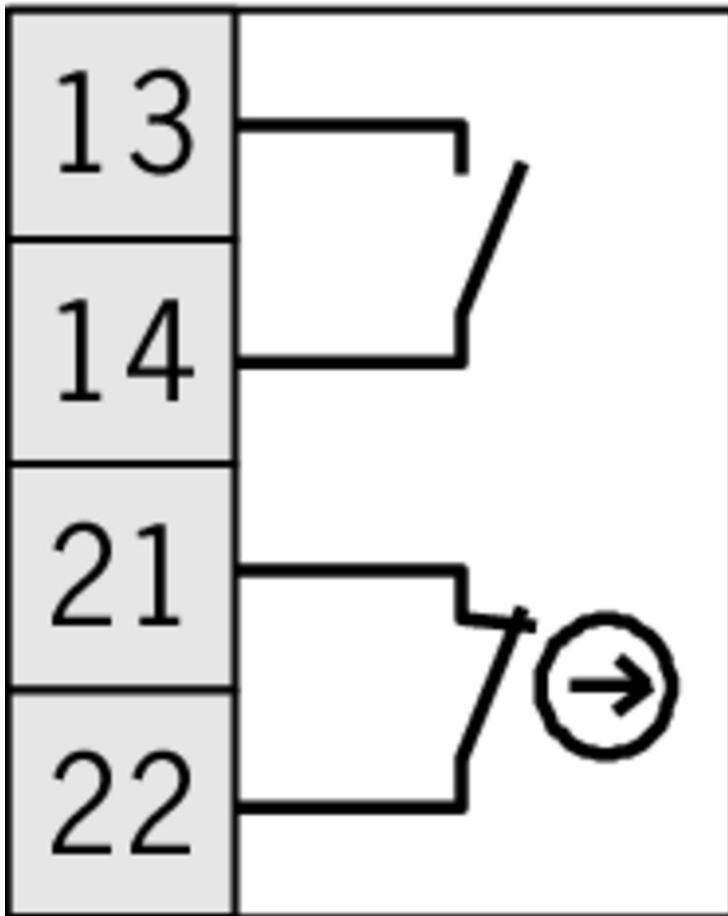


## Legende

- 1 Ball bearing
  - 2 Operating point
  - 3 Free position
  - 4 Dog
  - \* Safety switching element ES514 positive opening. Positive opening function is dependent on maintaining this distance.
  - 5 Actuators (dogs) must be connected to the machine in a flush position. Switch can be replaced only with the same type.
  - 6 Switching element ES514 with snap-action function: 1 NO contact and 1 positively driven NC contact with double gap and electrically isolated switching bridge.
  - 7 Ident no.
  - 8 Number of plungers
  - 9 Type
- 1) Pressure sensitive label 041734 applied.

## Switching element

# ES 514



## Instructions

- Betriebsanleitung Präzisions-Reihengrenztaster SN 12/16 mm

	Doc. no.	Version	Language	Download
Betriebsanleitung Präzisions-Reihengrenztaster SN 12/16 mm	032308	08-07/16		 1.2 MB
Mode d'emploi Boîtiers multipistes de précision SN 12/16 mm				
Istruzioni di impiego Finecorsa multipli di precisione SN 12/16 mm				
Operating Instructions Precision Multiple Limit Switches SN 12/16 mm				

## Declaration of conformity

- EU prohlášení o shodě

Doc. no.    Version    Language    Download

EU-Konformitätserklärung	2077153	25-02/17		 0.3 MB
Declaración UE de conformidad				
Déclaration UE de conformité				
Dichiarazione di conformità				
EU declaration of conformity				
EU prohlášení o shodě	2077153	25-02/17		 0.5 MB
EU-overensstemmelseserklæring				
Δήλωση συμμόρφωσης της ΕΕ				
EU-vaatimustenmukaisuusvakuutus				
EU-típusbizonyítvány				
EU-conformiteitsverklaring				
Deklaracja zgodności UE				
Declaração de Conformidade UE				
Declarația de conformitate UE				
EÚ vyhlásenie o zhode				

### CAD data

CAD data for this item on TraceParts