

ITEM 100265 SN02R12-514-MC2188

Description	Technical data	Accessories	Downloads
-------------	----------------	-------------	-----------



Features

- › plunger spacing 12 mm
- › Upright housing, small flange
- › Degree of protection IP67 according to IEC 60529

Switching elements

ES 514 Snap-action switching contact 1 NC \rightarrow + 1 NO
 On the usage of safety switching elements, the dog distance (3.0.5) must be maintained to achieve the positively driven travel. The dogs must be positively mounted according to EN ISO 14119, i.e. riveted, welded or secured in some other way against becoming loose.

Mechanical values and environment

Contact bounce time	≤ 3ms
Contact closing time	≤ 5ms
Design	Upright
Housing material	Die-cast aluminum, anodized

Weight	Net	0,4 kg
Ambient temperature		-5 ... 80 °C
Degree of protection		IP67
Mechanical life		1 x 10 ⁶
Contact material		Silver alloy, gold flashed
Switching principle		Snap-action switching contact
Plunger spacing		12 mm
Installation position		Any
Number of switching elements		2
Number of positively driven contacts		2
Number of NO contacts		2
Connection		1 x plug connector ^[1]
Approach speed		0,01 ... 120 m/min
Actuating element		Roller plunger ^[2]
Roller diameter		8 mm
Actuating force		min.25 N

Electrical connection ratings

Utilization category according to EN 60947-5-1	DC-13	6A 24V
Short circuit protection according to IEC 60269-1	(Fuse)	6A gG
Rated insulation voltage U _i		50 V
Rated impulse withstand voltage U _{imp}		2,5 kV
Switching current	Min. at DC 24V	min.5 mA

Miscellaneous

C number	C2188	^[3]
----------	-------	----------------

Reliability values acc. to EN ISO 13849-1

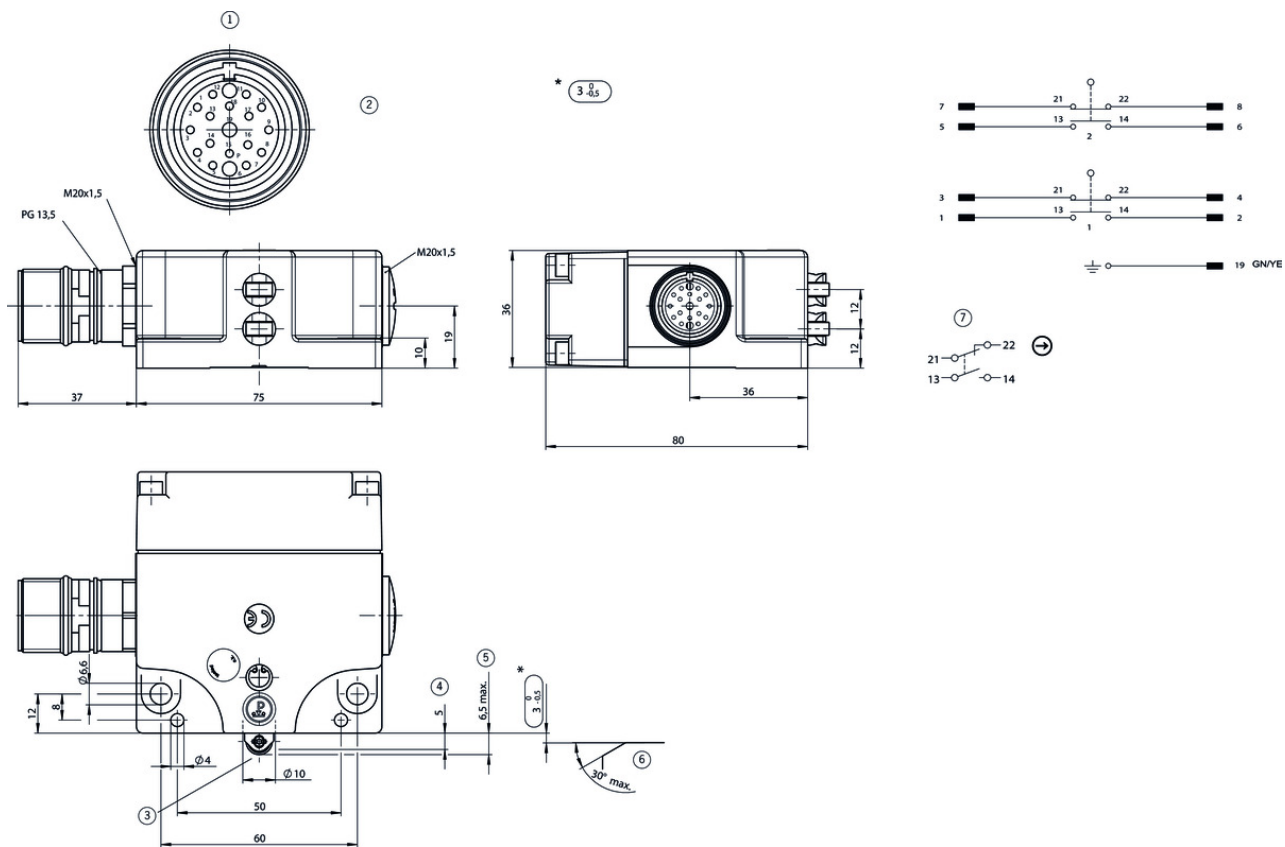
B10 _D	2 x 10 ⁶
------------------	---------------------

^[1] Plug connector Intercontec, 16+3-pin, contacts D = 1 mm + 1 x 1.5 mm, wiring 0.5 mm² + 1 x earth connection 0.75 mm². Mounted on left.

^[2] Ball bearing

^[3] Roller plunger with ball bearings and soft spring. Intercontec plug connector 16+3-pin, mounted on left. Special wiring.

Dimension drawing



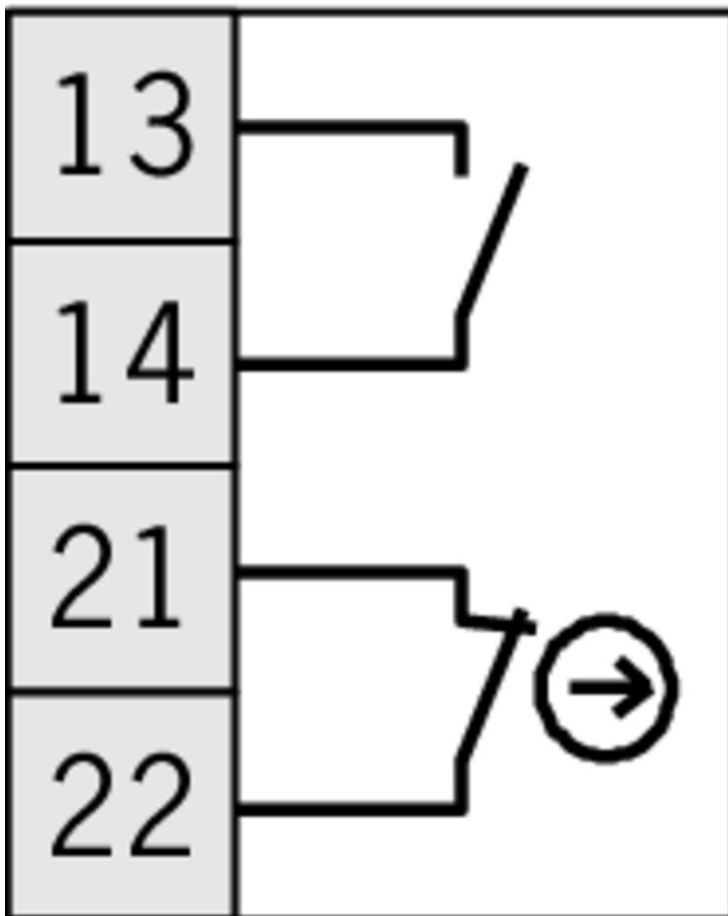
Legende

- 1 View of connection side
- 2 Without mating connector
- 3 Roller plunger with ball bearings + soft spring
- 4 Operating point
- 5 Free position
- 6 Dog

To obtain the direct opening travel, the trip dog setting distance must be maintained.

- * Actuating elements such as cam approach guides must be firmly mounted, i.e. riveted, welded or otherwise secured against becoming loose.
- 7 Switching element ES514 with snap-action function: 1 NO contact and 1 positively driven NC contact with double gap and electrically isolated switching bridge.

ES 514



Instructions

Betriebsanleitung Präzisions-Reihengrenztaster SN 12/16 mm

	Doc. no.	Version	Language	Download
Betriebsanleitung Präzisions-Reihengrenztaster SN 12/16 mm	032308	08-07/16		1.2 MB
Mode d'emploi Boîtiers multipistes de précision SN 12/16 mm				
Istruzioni di impiego Finecorsa multipli di precisione SN 12/16 mm				
Operating Instructions Precision Multiple Limit Switches SN 12/16 mm				

Declaration of conformity

EU prohlášení o shodě

Doc. no. Version Language Download

EU-Konformitätserklärung	2077153	25-02/17		 0.3 MB
Declaración UE de conformidad				
Déclaration UE de conformité				
Dichiarazione di conformità				
EU declaration of conformity				
EU prohlášení o shodě	2077153	25-02/17		 0.5 MB
EU-overensstemmelseserklæring				
Δήλωση συμμόρφωσης της ΕΕ				
EU-vaatimustenmukaisuusvakuutus				
EU-típusbizonyítvány				
EU-conformiteitsverklaring				
Deklaracja zgodności UE				
Declaração de Conformidade UE				
Declarația de conformitate UE				
EÚ vyhlásenie o zhode				