

**ITEM 100266 SN04R12-514-MC2188**

Description	Technical data	Accessories	Downloads
-------------	----------------	-------------	-----------



**Features**

- › plunger spacing 12 mm
- › Upright housing, small flange
- › Degree of protection IP67 according to IEC 60529

**Switching elements**

**ES 514** Snap-action switching contact 1 NC $\rightarrow$  + 1 NO  
 On the usage of safety switching elements, the dog distance (3.0.5) must be maintained to achieve the positively driven travel. The dogs must be positively mounted according to EN ISO 14119, i.e. riveted, welded or secured in some other way against becoming loose.

**Mechanical values and environment**

Contact bounce time	$\leq 3$
Contact closing time	$\leq 5$
Design	Upright
Housing material	Die-cast aluminum, anodized

Weight		
	Net	0,55 kg
Ambient temperature		-5 ... 80 °C
Degree of protection		IP67 [1]
Mechanical life		1 x 10 <sup>6</sup>
Contact material		Silver alloy, gold flashed
Switching principle		Snap-action switching contact
Plunger spacing		12 mm
Installation position		Any
Number of switching elements		4
Number of positively driven contacts		4
Number of NO contacts		4
Connection		1 x plug connector 16+3-pin. [2]
Approach speed		
	max.	0,01 ... 120 m/min
Actuating element		Roller plunger [3]
Roller diameter		8 mm
Actuating force		min.25 N

### Electrical connection ratings

Rated thermal current I <sub>th</sub>		6 A
Utilization category according to EN 60947-5-1		
	DC-13	6A 24V
Short circuit protection according to IEC 60269-1		
	(Fuse)	6A gG
Rated insulation voltage U <sub>i</sub>		50 V
Rated impulse withstand voltage U <sub>imp</sub>		2,5 kV
Switching current		
	Min. at DC 24V	min.5 mA

### Miscellaneous

C number		
	C2188	[4]

### Reliability values acc. to EN ISO 13849-1

B10 <sub>D</sub>		2 x 10 <sup>6</sup>
------------------	--	---------------------

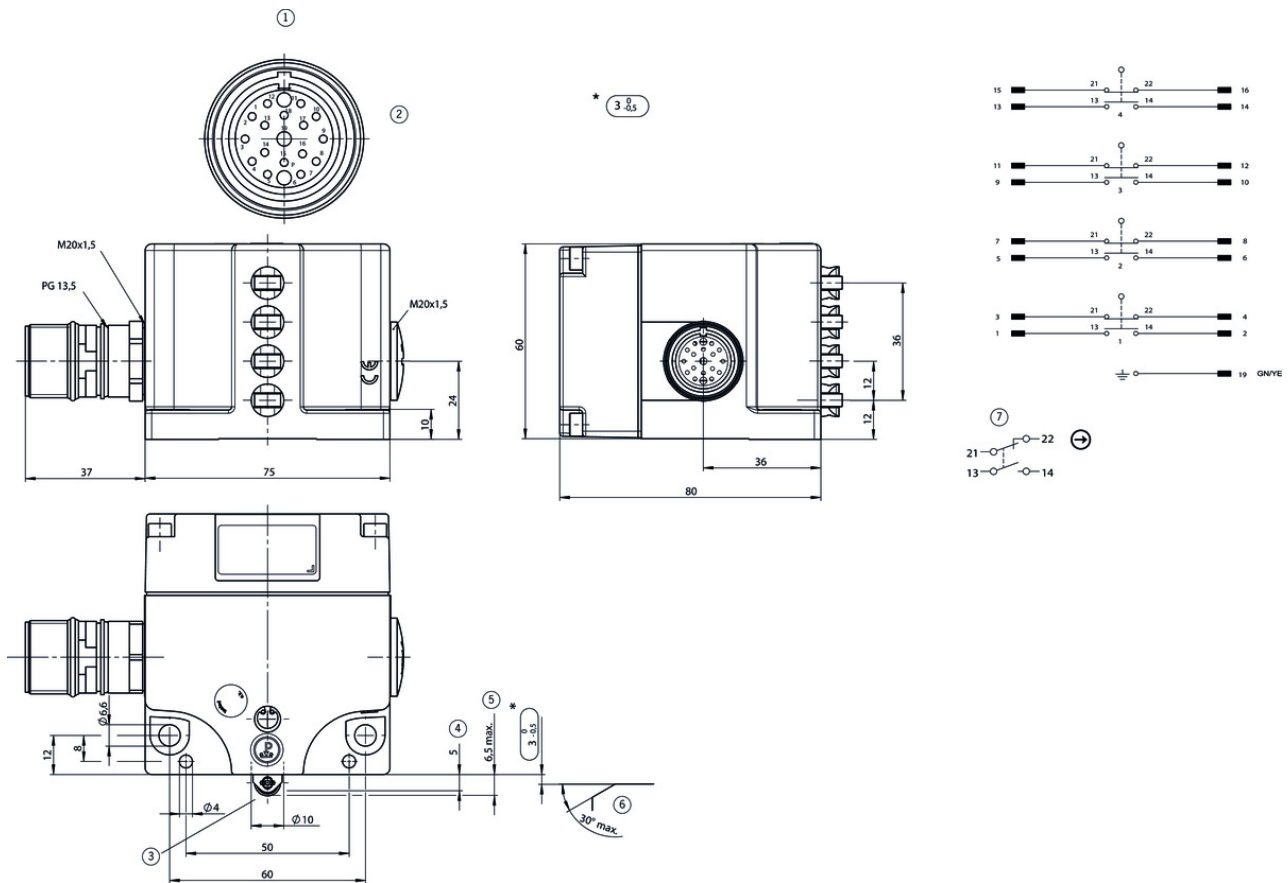
[1] In the inserted state

[2] Flush-mounted signal socket 16+3-pin. Vibration protection, INTERCONTEC order no.: A EG A 561 MR 93 00 2053 000 wiring 0.5 mm<sup>2</sup> black, 0.75 mm<sup>2</sup> green/yellow

[3] Ball bearing

[4] Roller plunger with ball bearings and soft spring, flush-mounted signal socket 16+3-pin. Vibration protection, INTERCONTEC

## Dimension drawing



## Legende

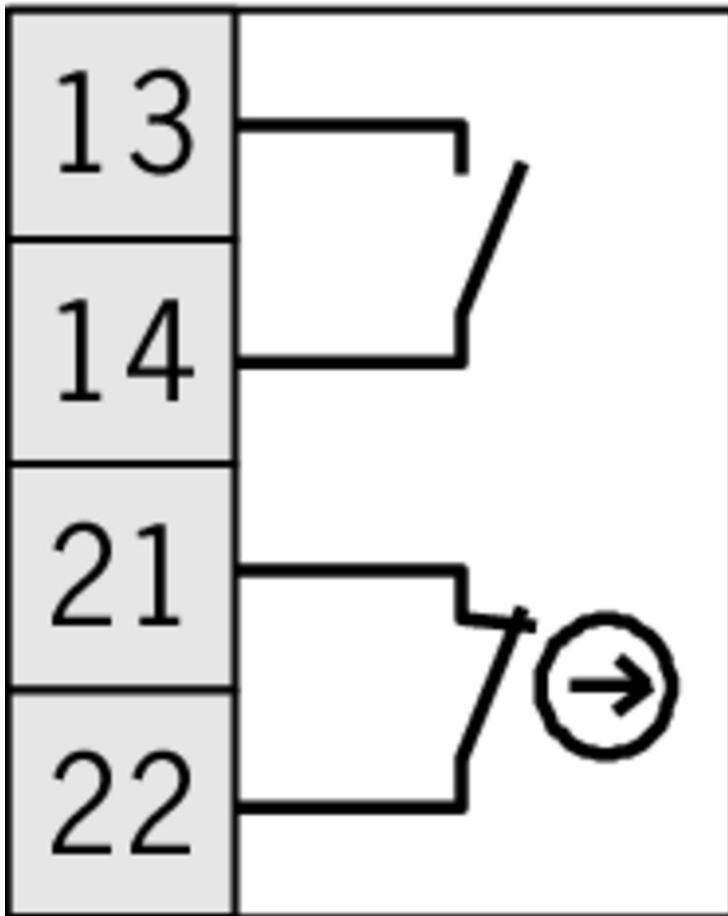
- 1 View of connection side
- 2 Without mating connector
- 3 Roller plunger with ball bearings + soft spring
- 4 Operating point
- 5 Free position
- 6 Dog

To obtain the direct opening travel, the trip dog setting distance must be maintained.

\* Actuating elements such as cam approach guides must be firmly mounted, i.e. riveted, welded or otherwise secured against becoming loose.

⑦ Switching element ES514 with snap-action function: 1 NO contact and 1 positively driven NC contact with double gap and electrically isolated switching bridge.

# ES 514



## Instructions

Betriebsanleitung Präzisions-Reihengrenztaster SN 12/16 mm

	Doc. no.	Version	Language	Download
Betriebsanleitung Präzisions-Reihengrenztaster SN 12/16 mm	032308	08-07/16		1.2 MB
Mode d'emploi Boîtiers multipistes de précision SN 12/16 mm				
Istruzioni di impiego Finecorsa multipli di precisione SN 12/16 mm				
Operating Instructions Precision Multiple Limit Switches SN 12/16 mm				

## Declaration of conformity

EU prohlášení o shodě

Doc. no. Version Language Download

EU-Konformitätserklärung	2077153	25-02/17		 0.3 MB
Declaración UE de conformidad				
Déclaration UE de conformité				
Dichiarazione di conformità				
EU declaration of conformity				
EU prohlášení o shodě	2077153	25-02/17		 0.5 MB
EU-overensstemmelseserklæring				
Δήλωση συμμόρφωσης της ΕΕ				
EU-vaatimustenmukaisuusvakuutus				
EU-típusbizonyítvány				
EU-conformiteitsverklaring				
Deklaracja zgodności UE				
Declaração de Conformidade UE				
Declarația de conformitate UE				
EÚ vyhlásenie o zhode				