

ITEM 128069 SN02R08-592-MC2445

Description	Technical data	Accessories	Downloads
-------------	----------------	-------------	-----------



Features

- › For high temperature up to +125°C
- › plunger spacing 8 mm
- › Upright housing, with M12 plug connector

Switching element

ES Snap-action switching contact 1 changeover contact standard
592 switching element

Approvals



Mechanical values and environment

Design

Upright

Housing material	Die-cast aluminum, anodized
Weight	
Net	0,14 kg
Ambient temperature	-5 ... 125 °C
Degree of protection	IP65
Mechanical life	0,5 x 10 ⁶
Contact material	Pure silver (Ag)
Switching principle	Changeover contact with snap-action function
Plunger spacing	8 mm
Installation position	Any
Number of switching elements	2
Number of door position NC contacts	2
Number of door position NO contacts	2
Number of changeover contacts	2
Connection	
1 x	Plug connector M12 x 1, adjustable, high temperature [1]
Approach speed	0,01 ... 50 m/min
Actuating element	
Plain bearing metal	Roller plunger
Roller diameter	5 mm
Actuating force	15 ... 20 N

Electrical connection ratings

Utilization category according to EN 60947-5-1	
DC-13	1A 24V
Short circuit protection according to IEC 60269-1	
(Fuse)	2A gG
Rated insulation voltage U _i	250 V
Rated impulse withstand voltage U _{imp}	1,5 kV
Switching current	
Min. at DC 24V	min.10 mA
Safety class	I

Miscellaneous

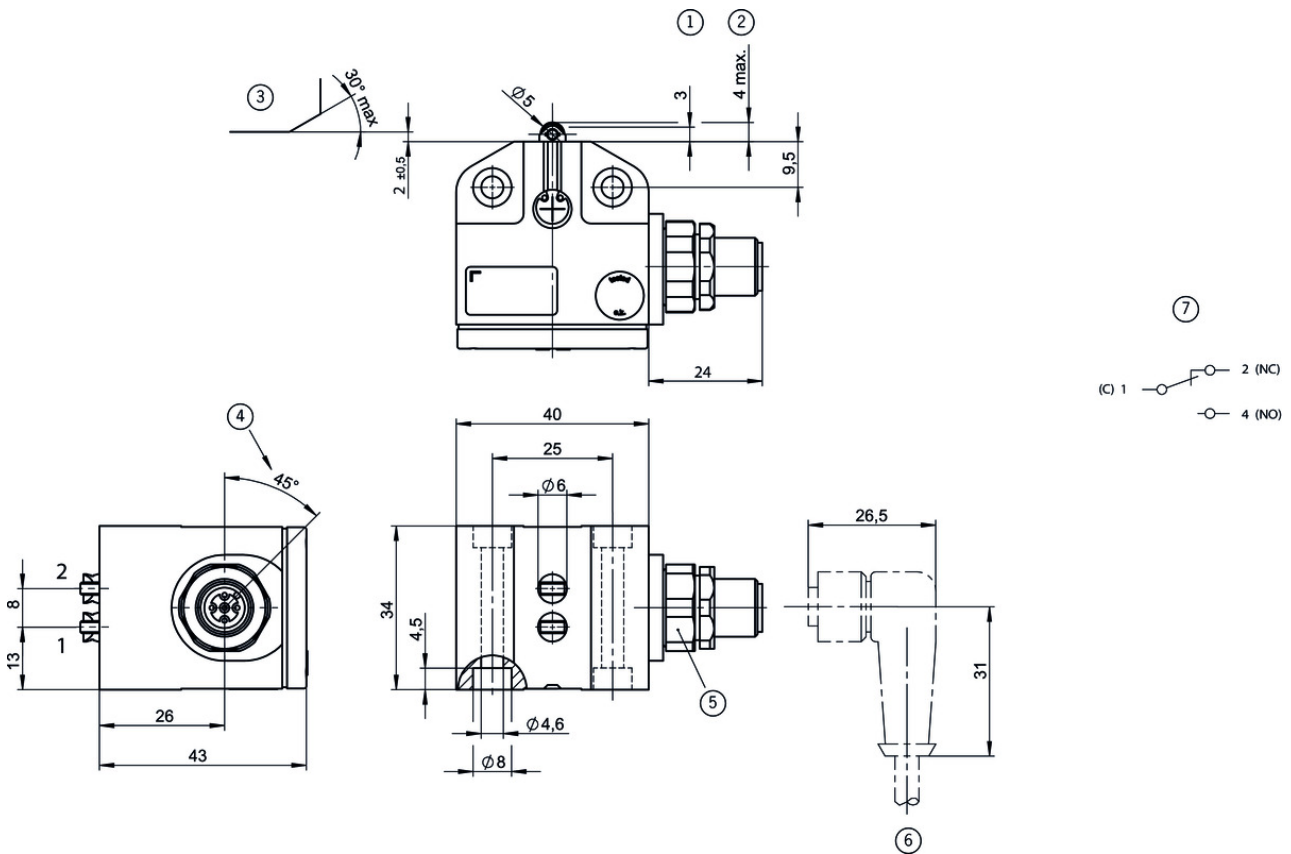
C number	[2]
Additional information	[3]

[1] 5-pin

[2] With adjustable high-temperature connector. Switch for ambient temperature up to 125 ° C. With high-temperature grease, viton membranes and vitilayer seal

[3] TPE (PUR) High-temperature cable for temperatures up to 100 ° C - 30,000 h 125 ° C- 8,000 h / 150 ° C - 2,000 h to be ordered separately.

Dimension drawing



Legende

1 Operating point

2 Free position

3 Dog

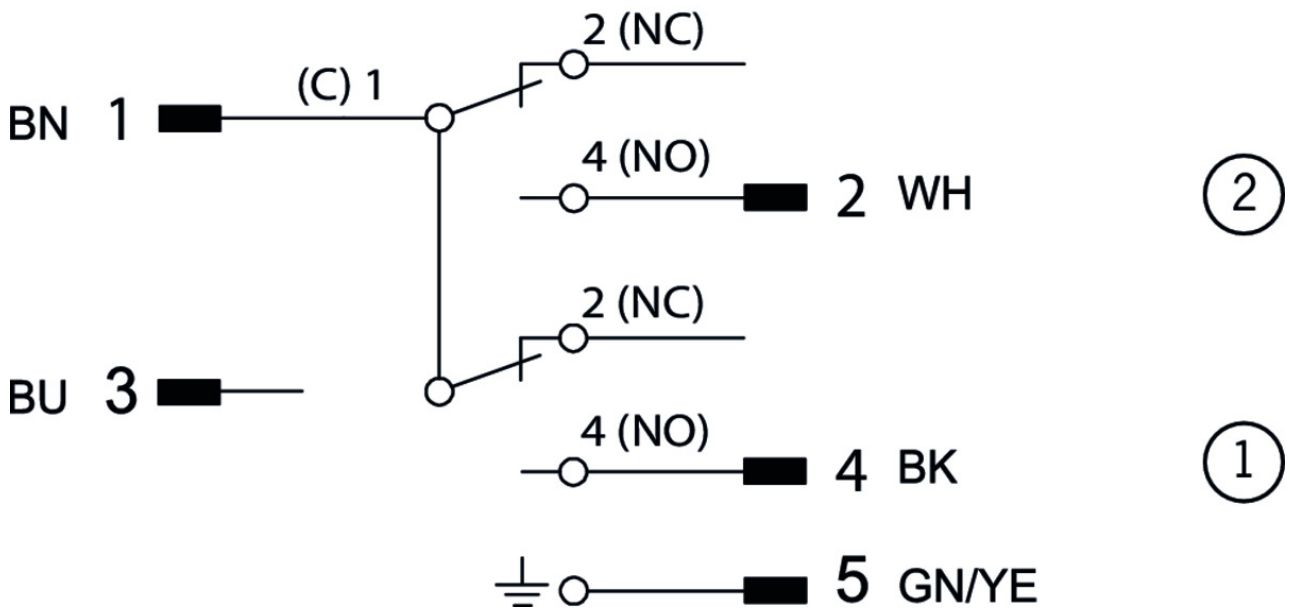
4 Guide lug aligned

5 Recommended torque 1-1.2 Nm

6 Right-angle plug connector: Plug connector adjustable to a max. of 270°. Default setting for cable outlet downward.

7 Switching element: ES592 snap-action switching contact, 1 changeover contact

Wiring diagram



Legende

- 1 Station 1
- 2 Station 2

Connection material

- ✓ Connection cable with straight plug connector M12, 5-pin, 5m



136960 C-M12F05-05X034PU05,0-GA-136960

✓ Features

- › For high temperature up to +150°C
- › M12 female plug, 5-pin
- › Straight plug connector
- › PUR cable
- › Cable length 5 m
- › With flying lead

- ✓ Connection cable with straight plug connector M12, 5-pin, 10m



136961 C-M12F05-05X034PU10,0-GA-136961

✓ Features

- › For high temperature up to +150°C
- › M12 female plug, 5-pin
- › Straight plug connector
- › PUR cable
- › Cable length 10 m
- › With flying lead

- ✓ Connection cable with angled plug connector M12, 5-pin, 5m



136962 C-M12F05-05X034PU05,0-GA-136962

✓ Features

- › For high temperature up to +150°C
- › M12 female plug, 5-pin
- › Angled plug connector
- › PUR cable
- › Cable length 5 m
- › With flying lead

- ✓ Connection cable with angled plug connector M12, 5-pin, 10m



136963 C-M12F05-05X034PU10,0-GA-136963

✓ Features

- › For high temperature up to +150°C
- › M12 female plug, 5-pin
- › Angled plug connector
- › PUR cable
- › Cable length 10 m
- › With flying lead

Instructions

- ✓ Betriebsanleitung Präzisions-Reihengrenztaster GL, GS, SB, SN 8 mm

	Doc. no.	Version	Language	Download
Betriebsanleitung Präzisions-Reihengrenztaster GL, GS, SB, SN 8 mm	2076050	05-01/18		0.6 MB
Mode d'emploi Boîtiers multipistes de précision GL, GS, SB, SN 8 mm				
Istruzioni di impiego Finecorsa multipli di precisione GL, GS, SB, SN 8 mm				
Operating Instructions Precision Multiple Limit Switches GL, GS, SB, SN 8 mm				