

ITEM 086030 RGBF04X16-772L-M

| Description | Technical data | Accessories | Downloads |
|-------------|----------------|-------------|-----------|
|-------------|----------------|-------------|-----------|



Features

- › Proximity switch spacing 16 mm
- › Upright housing according to DIN 43697
- › Degree of protection IP67 according to IEC 60529
- › LED function display

Rated operating distance

With 12 mm proximity switch spacing, the rated operating distance is 2 mm, with 16 mm proximity switch distance it is 5 mm.

Mixed contact assembly

On request mixed assembly with electro-mechanical safety switching elements according to IEC 60947-5-1 is possible for 12 mm proximity switch spacing.

LED function display

DC and AC switching elements are equipped as standard with a function display on the switching element (yellow). The function display can be seen from the exterior.

Approvals



Mechanical values and environment

| | |
|-----------------------------------|---------------------------------|
| Design | Upright, according to DIN 43697 |
| Material | |
| Active face | PBT |
| Housing material | Die-cast aluminum |
| Weight | |
| Net | 1,1 kg Connection terminals |
| Ambient temperature | -25 ... 70 °C |
| Degree of protection | IP67 |
| Proximity switch spacing | 16 mm |
| Switching principle | NO + NC |
| Switching frequency | max.500 Hz |
| Number of switching elements | 4 |
| Number of NC contacts/NO contacts | 4 |
| Connection | |
| | 4 x M25 x 1.5 |

Electrical connection ratings

| | |
|--|------------------------------|
| Operating voltage | |
| DC | 10 ... 55 V |
| Rated operating current I_e | 250 mA |
| Utilization category according to EN 60947-5-2 | |
| DC-12 | DC-13 [1] |
| Short circuit and overload protection, pulsed | Yes |
| Rated insulation voltage U_i | |
| DC | 60 V |
| Residual ripple | max.10 % |
| Reverse polarity protection | Yes |
| EMC protection requirements | EN IEC 60947-5-2 |
| Type of output | PNP |
| No-load current I_0 | max.15 mA |
| Off-state current I_r | max.0,001 mA |
| Voltage drop U_d | max.2,5 V |
| Connection cross-section | 0,34 ... 1,5 mm ² |
| LED indicator | Yes |

Operating distance

| | |
|----------------------------------|----------------|
| Repeat accuracy R | |
| According to EN 60947-5-2 | max.5 % |
| Rated operating distance S_n | 5 mm |
| Assured operating distance S_a | 0 ... 4 mm [2] |
| Switching hysteresis | max.0,5 mm |

Miscellaneous

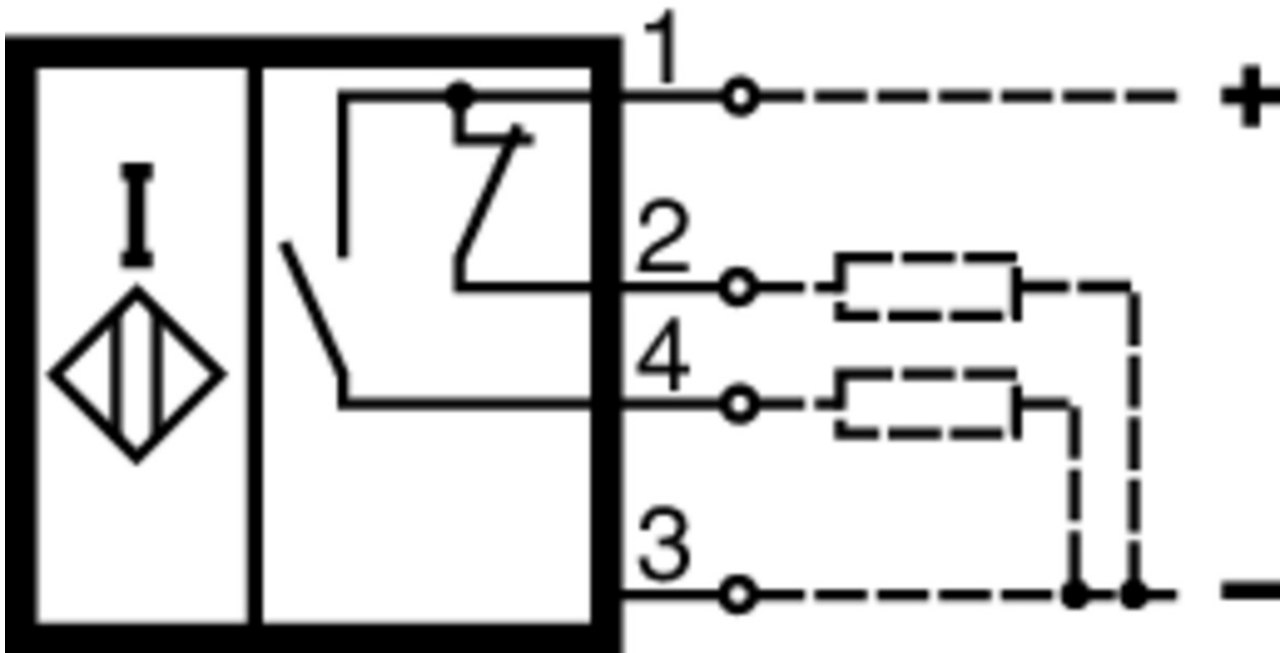
| | |
|------------------------|-----|
| Additional information | [3] |
|------------------------|-----|

[1] The output is to be protected with a free-wheeling diode for inductive loads.

[2] Dimension only applies for steel (ST37) and for EUCHNER trip dogs of series UX.. / GX..

[3] Switching elements with 5mm operating distance (16mm proximity switch spacing) are supplied with two different oscillator frequencies to avoid mutual interference. Multiple limit switches must therefore be assembled alternately with these switching elements.

DC NO + NC, PNP781, I1 = 12 mm772, I1 = 16 mm



Catalogs

- ✓ Positionsschalter und Reihengrenztaster Position Switches and Multiple Limit Switches Interrupteurs de position et boîtiers multipistes

| | Doc. no. | Version | Language | Download |
|---|----------|----------|----------|----------|
| Positionsschalter und Reihengrenztaster | 157835 | 01-03/18 | | 4.1 MB |
| Interrupteurs de position et boîtiers multipistes | 157837 | 01-03/18 | | 4.1 MB |
| Position Switches and Multiple Limit Switches | 157836 | 01-03/18 | | 4.1 MB |

CAD data

CAD data for this item on TraceParts