

## ITEM 087114 RGBF02R12-508LE060-M

Description	Technical data	Accessories	Downloads
-------------	----------------	-------------	-----------



### Features

- › plunger spacing 12 mm
- › Upright housing according to DIN 43697
- › Degree of protection IP67 according to IEC 60529
- › LED function display

### Switching element

**ES 508** Slow-action switching contact 1 NC $\rightarrow$

On the usage of safety switching elements, the dog distance  $\text{\textcircled{4.0.5}}$  must be maintained to achieve the positively driven travel. The dogs must be positively mounted according to EN ISO 14119, i.e. riveted, welded or secured in some other way against becoming loose.

### LED function display

Function display is available for the following voltage range (see accessories)

**LE060** 12 ... 60 V AC/DC

## Approvals



## Mechanical values and environment

Design	Upright, according to DIN 43697
Housing material	Die-cast aluminum, anodized
Weight	
Net	0,85 kg
Ambient temperature	-5 ... 80 °C
Degree of protection	IP67
Mechanical life	30 x 10 <sup>6</sup>
Contact material	Silver alloy, gold flashed
Switching principle	Slow-action switching contact
Plunger spacing	12 mm
Installation position	Any
Number of switching elements	2
Number of positively driven contacts	2
Connection	
4 x	M25 x 1.5
Approach speed	max.80 m/min
Actuating element	Roller plunger <sup>[1]</sup>
Roller diameter	8 mm
Actuating force	min.15 N

## Electrical connection ratings

Rated thermal current I <sub>th</sub>	10 A
Utilization category according to EN 60947-5-1	
AC-15	6A 230V
DC-13	6A 24V
Short circuit protection according to IEC 60269-1	
(Fuse)	10A gG
Rated insulation voltage U <sub>i</sub>	250 V
Rated impulse withstand voltage U <sub>imp</sub>	4 kV
Switching current	
Min. at DC 24V	min.10 mA
Connection cross-section	0,34 ... 1,5 mm <sup>2</sup>
Display module	
AC/DC	12 ... 60 V 60 V LED

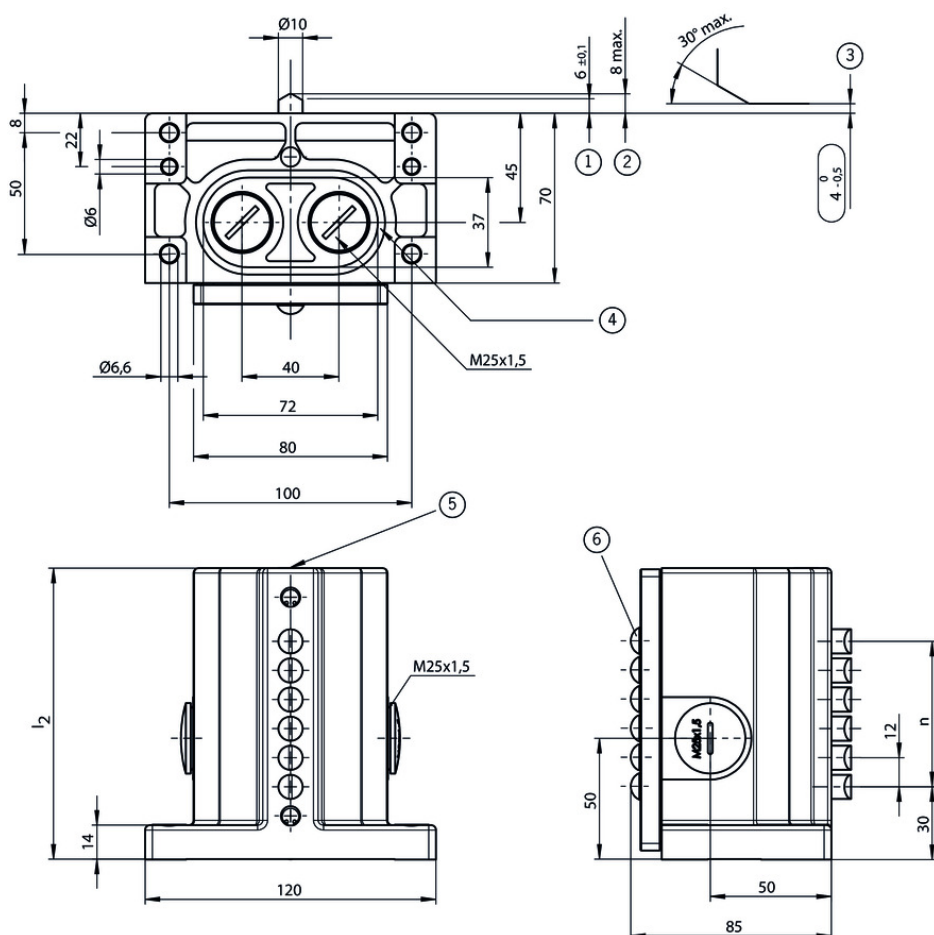
## Reliability values acc. to EN ISO 13849-1

B10<sub>D</sub>

20 x 10<sup>6</sup>

[1] Plain bearing

### Dimension drawing



16	240
14	240
12	200
10	170
8	140
6	120
5	105
4	90
3	80
2	70
n ⑦	l <sub>2</sub>

### Legende

1 Operating point

2 Free position

3 maintaining this distance. Actuators (dogs) must be connected to the machine in a flush position. Switch can be replaced only with the same type.

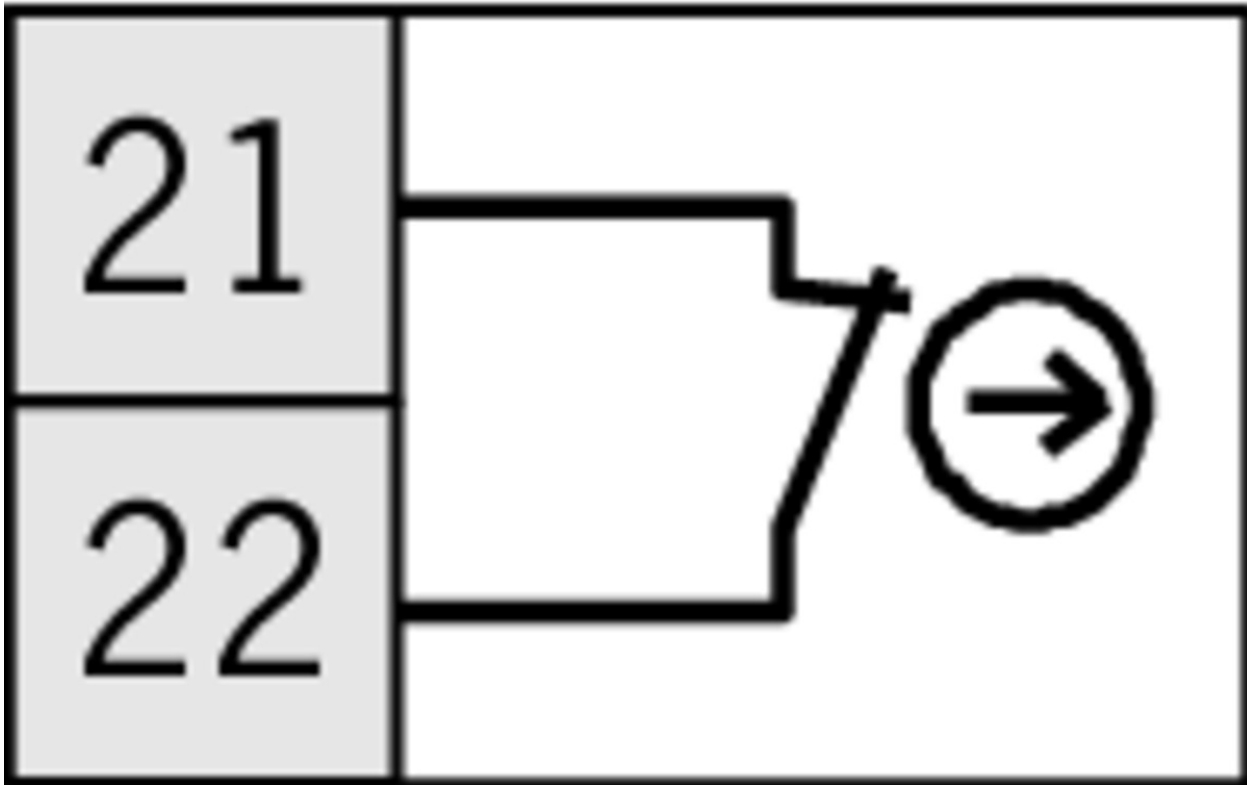
4 Groove with sealing ring

5 Pressure sensitive label 041734 applied.

6 LED indicator

7 Number of plungers

# ES 508



## Instructions

- Betriebsanleitung Präzisions-Reihengrenztaster RG, GS, GL 12/16 mm

	Doc. no.	Version	Language	Download
Betriebsanleitung Präzisions-Reihengrenztaster RG, GS, GL 12/16 mm	032307	07-07/16		1.4 MB
Mode d'emploi Boîtiers multipistes de précision RG, GS, GL 12/16 mm				
Istruzioni di impiego Finecorsa multipli di precisione RG, GS, GL12/16 mm				
Operating Instructions Precision Multiple Limit Switches RG, GS, GL12/16 mm				

## Declaration of conformity

- EU prohlášení o shodě

Doc. no. Version Language Download

EU-Konformitätserklärung	2077153	25-02/17		 0.3 MB
Declaración UE de conformidad				
Déclaration UE de conformité				
Dichiarazione di conformità				
EU declaration of conformity				
EU prohlášení o shodě	2077153	25-02/17		 0.5 MB
EU-overensstemmelseserklæring				
Δήλωση συμμόρφωσης της ΕΕ				
EU-vaatimustenmukaisuusvakuutus				
EU-típusbizonyítvány				
EU-conformiteitsverklaring				
Deklaracja zgodności UE				
Declaração de Conformidade UE				
Declarația de conformitate UE				
EÚ vyhlásenie o zhode				

### CAD data

CAD data for this item on TraceParts