

## ITEM 087117 RGBF05D12-514-M

| Description | Technical data | Accessories | Downloads |
|-------------|----------------|-------------|-----------|
|-------------|----------------|-------------|-----------|



### Features

- › plunger spacing 12 mm
- › Upright housing according to DIN 43697
- › Degree of protection IP67 according to IEC 60529

### Switching element

**ES 514** Snap-action switching contact 1 NC $\rightarrow$  + 1 NO

On the usage of safety switching elements, the dog distance (4.0.5) must be maintained to achieve the positively driven travel. The dogs must be positively mounted according to EN ISO 14119, i.e. riveted, welded or secured in some other way against becoming loose.

### Approvals



## Mechanical values and environment

|                                      |  |
|--------------------------------------|--|
| Design                               | Upright, according to DIN 43697          |
| Housing material                     | Die-cast aluminum, anodized              |
| Weight                               |  |
| Net                                  | 1,1 kg                                   |
| Ambient temperature                  | -5 ... 80 °C                             |
| Degree of protection                 | IP67                                     |
| Mechanical life                      | $1 \times 10^6$                          |
| Contact material                     | Silver alloy, gold flashed               |
| Switching principle                  | Snap-action switching contact <b>[1]</b> |
| Plunger spacing                      | 12 mm                                    |
| Installation position                | Any                                      |
| Number of switching elements         | 5  |
| Number of positively driven contacts | 5  |
| Number of NO contacts                | 5  |
| Connection                           |  |
|                                      | 4 x M25 x 1.5                            |
| Approach speed                       |  |
| max.                                 | 0,01 ... 40 m/min                        |
| Actuating element                    | Chisel plunger                           |
| Actuating force                      | min.30 N                                 |

## Electrical connection ratings

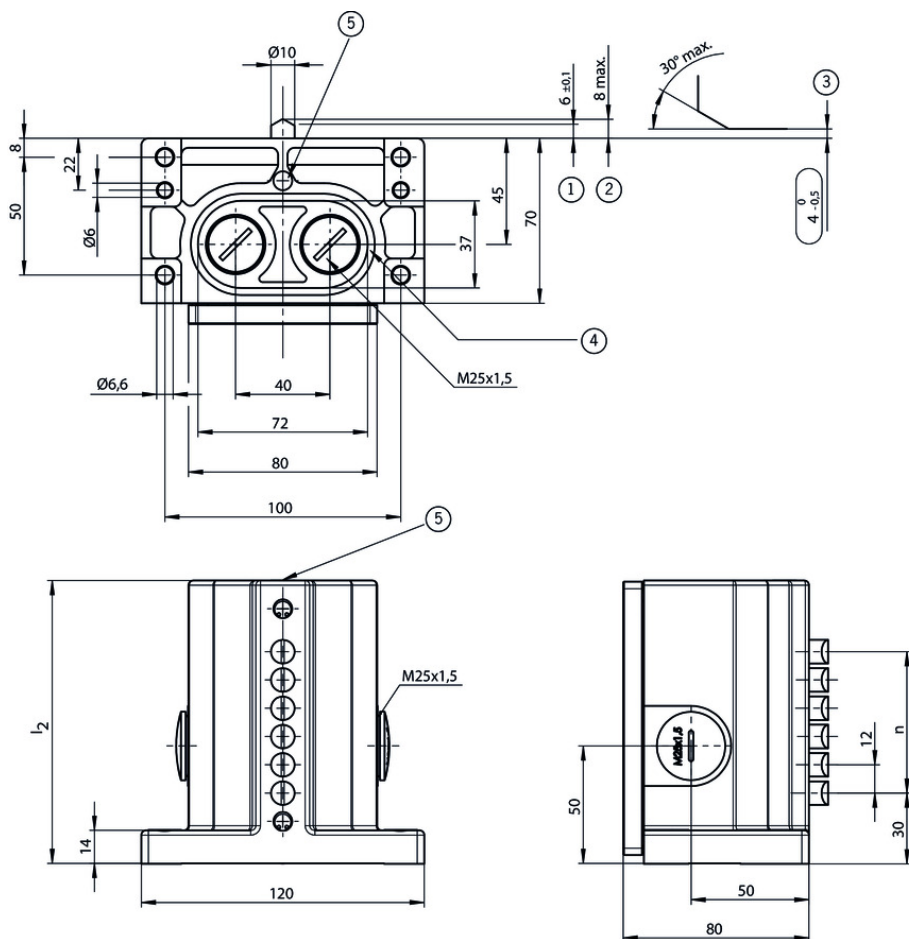
|   |                              |
|---|------------------------------|
| Rated thermal current $I_{th}$                    | 10 A                         |
| Utilization category according to EN 60947-5-1    |                              |
| AC-15   | 2.5A 230V                    |
| DC-13   | 6A 24V                       |
| Short circuit protection according to IEC 60269-1 |                              |
| (Fuse)  | 6A gG                        |
| Rated insulation voltage $U_i$                    | 250 V                        |
| Rated impulse withstand voltage $U_{imp}$         | 4 kV                         |
| Switching current                                 |                              |
| Min. at DC 24V                                    | min.5 mA                     |
| Connection cross-section                          | 0,34 ... 1,5 mm <sup>2</sup> |

## Reliability values acc. to EN ISO 13849-1

|                  |                 |
|------------------|-----------------|
| B10 <sub>D</sub> | $2 \times 10^6$ |
|------------------|-----------------|

**[1]** Contact closing time <5 contact bounce time <3 ms

## Dimension drawing



|    |                |
|----|----------------|
| 16 | 240            |
| 14 | 240            |
| 12 | 200            |
| 10 | 170            |
| 8  | 140            |
| 6  | 120            |
| 5  | 105            |
| 4  | 90             |
| 3  | 80             |
| 2  | 70             |
| n  | l <sub>2</sub> |
| ⑥  |                |

## Legende

1 Operating point

2 Free position

3 maintaining this distance. Actuators (dogs) must be connected to the machine in a flush position. Switch can be replaced only with the same type.

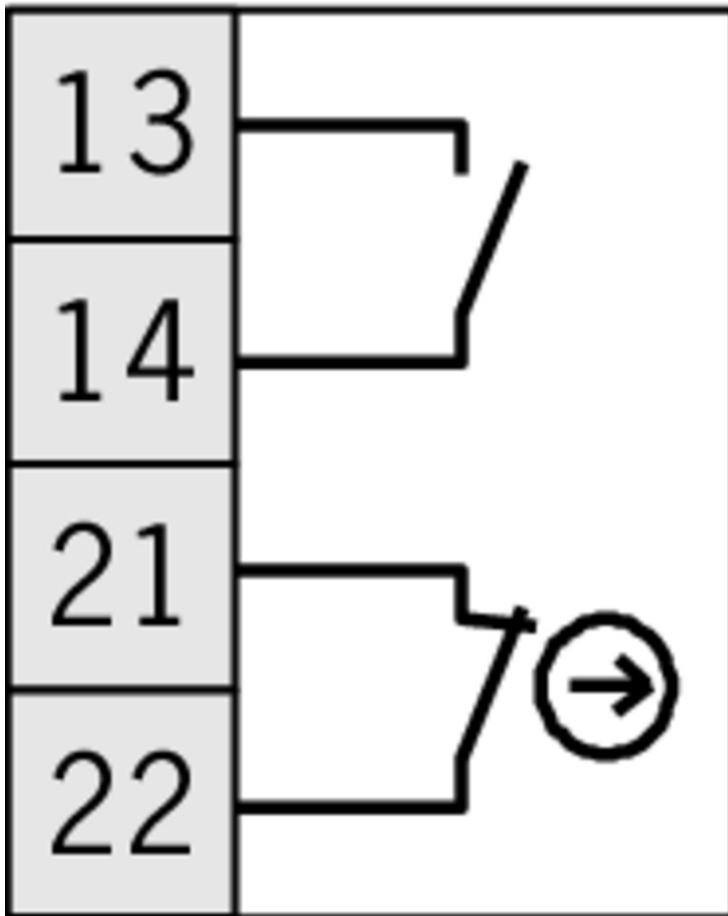
4 Groove with sealing ring

5 Pressure sensitive label 041734 applied.

6 Number of plungers

## Switching element

# ES 514



## Instructions

- Betriebsanleitung Präzisions-Reihengrenztaster RG, GS, GL 12/16 mm

|   | Doc. no. | Version  | Language | Download |
|---|----------|----------|----------|----------|
| Betriebsanleitung Präzisions-Reihengrenztaster RG, GS, GL 12/16 mm          | 032307   | 07-07/16 |          | 1.4 MB   |
| Mode d'emploi Boîtiers multipistes de précision RG, GS, GL 12/16 mm         |          |          |          |          |
| Istruzioni di impiego Finecorsa multipli di precisione RG, GS, GL12/16 mm   |          |          |          |          |
| Operating Instructions Precision Multiple Limit Switches RG, GS, GL12/16 mm |          |          |          |          |

## Declaration of conformity

- EU prohlášení o shodě

Doc. no. Version Language Download

|                                 |         |          |   |  |
|---------------------------------|---------|----------|---|--|
| EU-Konformitätserklärung        | 2077153 | 25-02/17 |   |  0.3 MB  |
| Declaración UE de conformidad   |         |          |  |  |
| Déclaration UE de conformité    |         |          |  |  |
| Dichiarazione di conformità     |         |          |  |  |
| EU declaration of conformity    |         |          |  |  |
| EU prohlášení o shodě           | 2077153 | 25-02/17 |  |  0.5 MB |
| EU-overensstemmelseserklæring   |         |          |  |  |
| Δήλωση συμμόρφωσης της ΕΕ       |         |          |  |  |
| EU-vaatimustenmukaisuusvakuutus |         |          |  |  |
| EU-típusbizonyítvány            |         |          |  |  |
| EU-conformiteitsverklaring      |         |          |  |  |
| Deklaracja zgodności UE         |         |          |  |  |
| Declaração de Conformidade UE   |         |          |  |  |
| Declarația de conformitate UE   |         |          |  |  |
| EÚ vyhlásenie o zhode           |         |          |  |  |

### CAD data

CAD data for this item on TraceParts