

## ITEM 087124 RGF02R12-514AM-M

Description	Technical data	Accessories	Downloads
-------------	----------------	-------------	-----------



### Features

- › With exterior diaphragm
- › plunger spacing 12 mm
- › Upright housing according to DIN 43697
- › Degree of protection IP67 according to IEC 60529

### Exterior diaphragm

The exterior diaphragm protects the plunger guide against the entry of very fine dust (dust from grinding, casting, glass, etc.) and prevents the plunger seizing. At the same time, plunger sticking, caused by resinous lubricating coolants, can be prevented with this exterior diaphragm version.

### Switching element

**ES 514** Snap-action switching contact 1 NC $\rightarrow$  + 1 NO

On the usage of safety switching elements, the dog distance (4-0.5) must be maintained to achieve the positively driven travel. The dogs must be positively mounted according to EN ISO 14119, i.e. riveted, welded or secured in some other way against becoming loose.

## Approvals



## Mechanical values and environment

Design	Upright, according to DIN 43697
Housing material	Die-cast aluminum, anodized
Weight	
Net	0,85 kg
Ambient temperature	-5 ... 80 °C
Degree of protection	IP67
Mechanical life	1 x 10 <sup>6</sup>
Contact material	Silver alloy, gold flashed
Switching principle	Snap-action switching contact <sup>[1]</sup>
Plunger spacing	12 mm
Installation position	Any
Number of switching elements	2
Number of positively driven contacts	2
Number of NO contacts	2
Connection	
	4 x M25 x 1.5
Approach speed	
max.	0,01 ... 50 m/min
Actuating element	
Plain bearing	Roller plunger <sup>[2]</sup>
Actuating force	min.30 N

## Electrical connection ratings

Rated thermal current I <sub>th</sub>	10 A
Utilization category according to EN 60947-5-1	
AC-15	2.5A 230V
DC-13	6A 24V
Short circuit protection according to IEC 60269-1	
(Fuse)	6A gG
Rated insulation voltage U <sub>i</sub>	250 V
Rated impulse withstand voltage U <sub>imp</sub>	4 kV
Switching current	
Min. at DC 24V	min.5 mA
Connection cross-section	0,34 ... 1,5 mm <sup>2</sup>

## Miscellaneous

Additional feature

[3]

### **Reliability values acc. to EN ISO 13849-1**

B10<sub>D</sub>

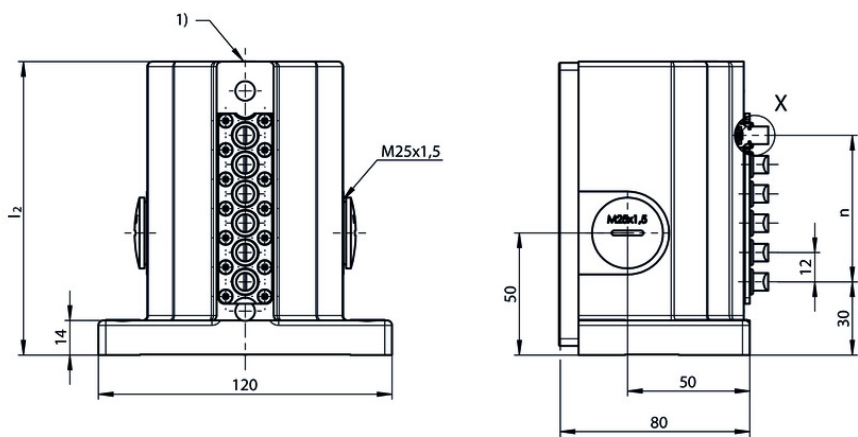
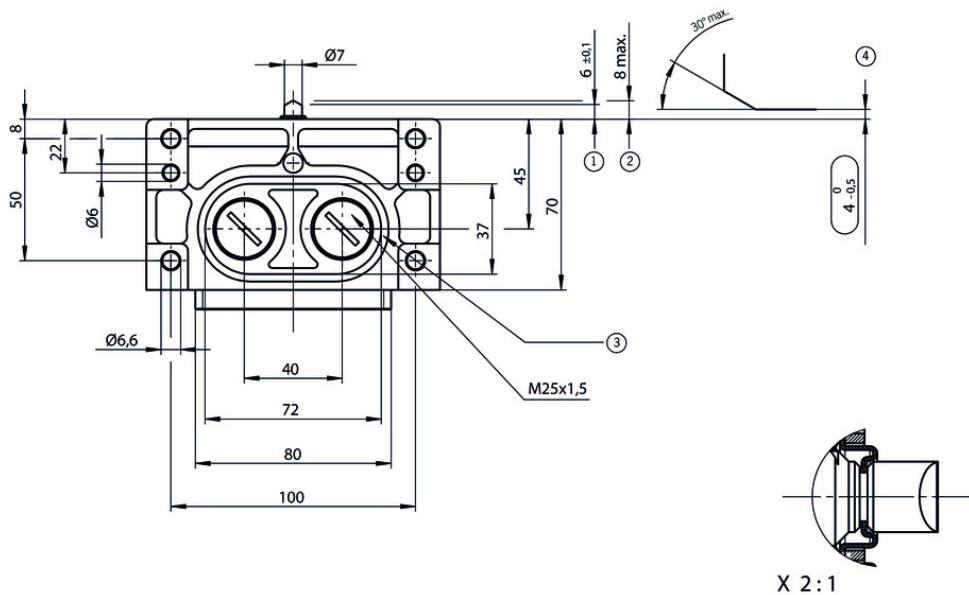
$2 \times 10^6$

[1] Contact closing time  $\leq 5$  ms contact bounce time  $\leq 3$  ms

[2] d roller = 5.

[3] Exterior diaphragm = AM. The exterior diaphragm provides additional protection to the plunger guide. Plunger sticking, primarily caused by resinous lubricating coolants, can be prevented by this exterior diaphragm version.

## Dimension drawing



16	240
14	240
12	200
10	170
8	140
6	120
5	105
4	90
3	80
2	70
n	$l_2$
5	

## Legende

1 Operating point

2 Free position

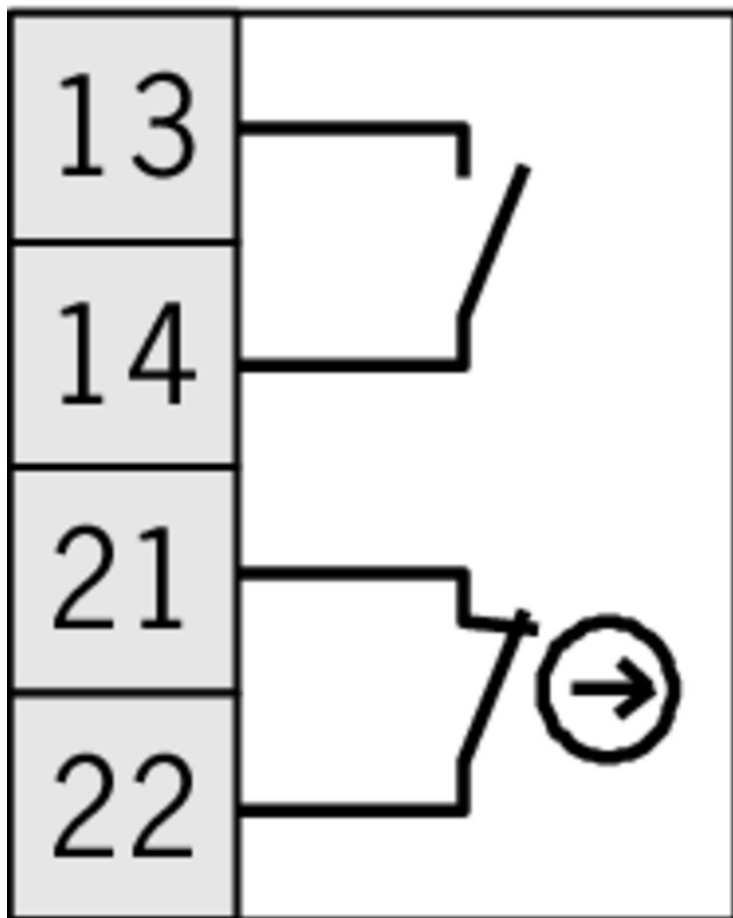
3 Groove with sealing ring

4 Safety switching element ES 514 positive opening. Positive opening function is dependent on maintaining this distance. Actuators (dogs) must be connected to the machine in a flush position. Switch can be replaced only with the same type.

5 Number of plungers

1) Pressure sensitive label 041734 applied.

# ES 514



## Instructions

▼ Betriebsanleitung Präzisions-Reihengrenztaster RG, GS, GL 12/16 mm

	Doc. no.	Version	Language	Download
Betriebsanleitung Präzisions-Reihengrenztaster RG, GS, GL 12/16 mm	032307	07-07/16		1.4 MB
Mode d'emploi Boîtiers multipistes de précision RG, GS, GL 12/16 mm				
Istruzioni di impiego Finecorsa multipli di precisione RG, GS, GL12/16 mm				
Operating Instructions Precision Multiple Limit Switches RG, GS, GL12/16 mm				

## Declaration of conformity

▼ EU prohlášení o shodě

Doc. no. Version Language Download

EU-Konformitätserklärung	2077153	25-02/17		 0.3 MB
Declaración UE de conformidad				
Déclaration UE de conformité				
Dichiarazione di conformità				
EU declaration of conformity				
EU prohlášení o shodě	2077153	25-02/17		 0.5 MB
EU-overensstemmelseserklæring				
Δήλωση συμμόρφωσης της ΕΕ				
EU-vaatimustenmukaisuusvakuutus				
EU-típusbizonyítvány				
EU-conformiteitsverklaring				
Deklaracja zgodności UE				
Declaração de Conformidade UE				
Declarația de conformitate UE				
EÚ vyhlásenie o zhode				

### CAD data

CAD data for this item on TraceParts