

## ITEM 087127 RGBF04D12-2514-M

Description	Technical data	Accessories	Downloads
-------------	----------------	-------------	-----------



### Features

- › plunger spacing 12 mm
- › Upright housing according to DIN 43697
- › Degree of protection IP67 according to IEC 60529

### Switching elements

**ES 502 E** Snap-action switching contact 1 NC + 1 NO

**ES 514** Snap-action switching contact 1 NC $\rightarrow$  + 1 NO

On the usage of safety switching elements, the dog distance (4-0.5) must be maintained to achieve the positively driven travel. The dogs must be positively mounted according to EN ISO 14119, i.e. riveted, welded or secured in some other way against becoming loose.

### Approvals



## Mechanical values and environment

Contact bounce time	< 3ms
Contact closing time	
Switching element ES502E	< 4ms <sup>[1]</sup>
Switching element ES514	≤ 5ms <sup>[2]</sup>
Design	Upright, according to DIN 43697
Housing material	Sand-cast aluminum, anodized
Weight	
Net	1 kg
Ambient temperature	-5 ... 80 °C
Degree of protection	IP67
Mechanical life	1 x 10 <sup>6</sup>
Contact material	Silver alloy, gold flashed
Switching principle	
Switching element ES502E	Snap-action switching contact <sup>[3]</sup>
Switching element ES514	Snap-action switching contact <sup>[4]</sup>
Plunger spacing	12 mm
Installation position	Any
Number of switching elements	4
Number of positively driven contacts	2
Number of NC contacts	2
Number of NO contacts	4
Connection	
4 x	M25 x 1.5
Approach speed	0,01 ... 40 m/min
Actuating element	Chisel plunger
Actuating force	min.30 N
Operating point accuracy	± 0.002 <sup>[5]</sup>

## Electrical connection ratings

Rated thermal current I <sub>th</sub>	8 A
Utilization category according to EN 60947-5-1	
AC-15	2.5A 230V <sup>[6]</sup> 6A 250V <sup>[7]</sup>
DC-13	6A 24V
AC-12	8 A, 250 V <sup>[8]</sup>
Short circuit protection according to IEC 60269-1	
Switching element ES514	6A gG <sup>[9]</sup>
Switching element ES502E	8A gG <sup>[10]</sup>
Rated insulation voltage U <sub>i</sub>	250 V
Rated impulse withstand voltage U <sub>imp</sub>	2,5 kV
Switching current	

Min. at DC 24V switching element ES514	min.5 mA <b>[11]</b>
Min. at DC 12V switching element ES502E	min.10 mA <b>[12]</b>
Connection cross-section	0,34 ... 1,5 mm <sup>2</sup>

### Miscellaneous

Additional information	Mixed contact assembly <b>[13]</b>
------------------------	------------------------------------

### Reliability values acc. to EN ISO 13849-1

B10 <sub>D</sub>	$2 \times 10^6$
------------------	-----------------

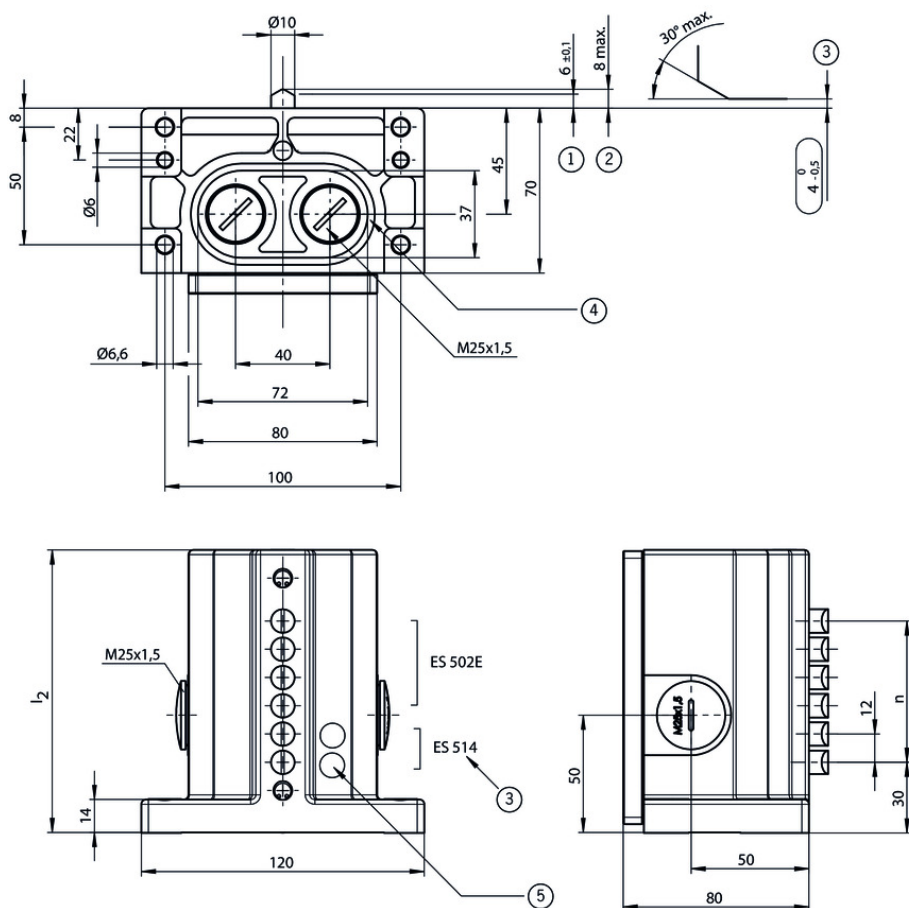
**[1, 3, 7, 8, 10, 12]** Applies from station 3

**[2, 4, 6, 9, 11]** Applies for station 1-2

**[5]** The reproducible switching point accuracy refers to the axial travel of the plunger after the switching element ES 502 E has been run-in with approx. 2000 operating cycles.

**[13]** On upright multiple limit switches it is necessary to start with the safety station/s on the flange side. If several safety stations are to be fitted, these must be fitted directly one after the other.

## Dimension drawing



16	240
14	240
12	200
10	170
8	140
6	120
5	105
4	90
3	80
2	70
n	l <sub>2</sub>

## Legende

1 Operating point

2 Free position

Safety switching element ES 514 positive opening. Positive opening function is dependent on maintaining this distance. Actuators (dogs) must be connected to the machine in a flush position. Switch can be replaced only with the same type.

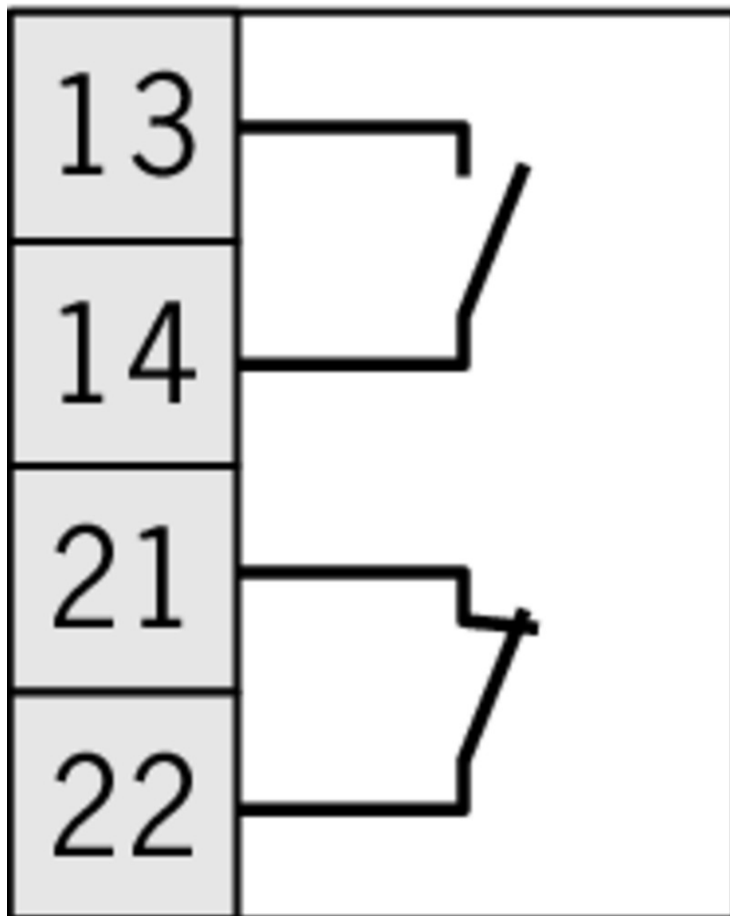
4 Groove with sealing ring

5 Pressure sensitive label 041734 applied.

6 Number of plungers

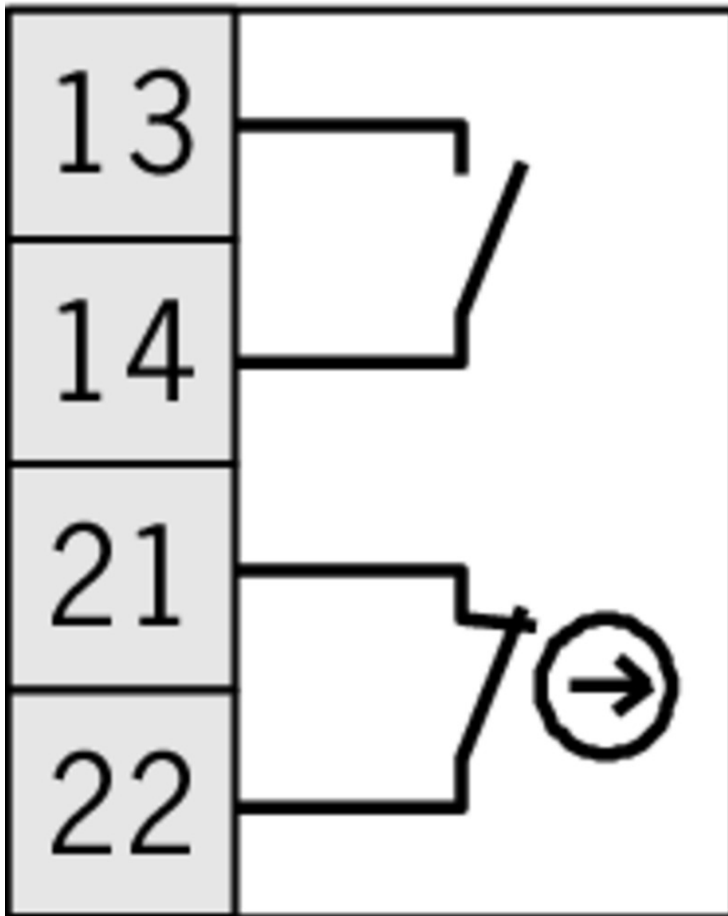
Switching element

# ES 502 E



## Switching element

# ES 514



## Instructions

- Betriebsanleitung Präzisions-Reihengrenztaster RG, GS, GL 12/16 mm

	Doc. no.	Version	Language	Download
Betriebsanleitung Präzisions-Reihengrenztaster RG, GS, GL 12/16 mm	032307	07-07/16		1.4 MB
Mode d'emploi Boîtiers multipistes de précision RG, GS, GL 12/16 mm				
Istruzioni di impiego Finecorsa multipli di precisione RG, GS, GL12/16 mm				
Operating Instructions Precision Multiple Limit Switches RG, GS, GL12/16 mm				

## Declaration of conformity

- EU prohlášení o shodě

Doc. no. Version Language Download

EU-Konformitätserklärung	2077153	25-02/17		 0.3 MB
Declaración UE de conformidad				
Déclaration UE de conformité				
Dichiarazione di conformità				
EU declaration of conformity				
EU prohlášení o shodě	2077153	25-02/17		 0.5 MB
EU-overensstemmelseserklæring				
Δήλωση συμμόρφωσης της ΕΕ				
EU-vaatimustenmukaisuusvakuutus				
EU-típusbizonyítvány				
EU-conformiteitsverklaring				
Deklaracja zgodności UE				
Declaração de Conformidade UE				
Declarația de conformitate UE				
EÚ vyhlásenie o zhode				

## CAD data

CAD data for this item on TraceParts