

ITEM 089544 RGBF10X16-772L-M

Description	Technical data	Accessories	Downloads
-------------	----------------	-------------	-----------



Features

- › Proximity switch spacing 16 mm
- › Upright housing according to DIN 43697
- › Degree of protection IP67 according to IEC 60529
- › LED function display

Rated operating distance

With 12 mm proximity switch spacing, the rated operating distance is 2 mm, with 16 mm proximity switch distance it is 5 mm.

Mixed contact assembly

On request mixed assembly with electro-mechanical safety switching elements according to IEC 60947-5-1 is possible for 12 mm proximity switch spacing.

LED function display

DC and AC switching elements are equipped as standard with a function display on the switching element (yellow). The function display can be seen from the exterior.

Approvals



Mechanical values and environment

Design	Upright, according to DIN 43697
Material	
Active face	PBT
Housing material	Sand-cast aluminum
Weight	
Net	4,5 kg Connection terminals
Ambient temperature	-25 ... 70 °C
Degree of protection	IP67
Proximity switch spacing	16 mm
Switching principle	NO + NC
Switching frequency	max.500 Hz
Number of switching elements	10
Number of NC contacts/NO contacts	10
Connection	
	4 x M25 x 1.5

Electrical connection ratings

Operating voltage	
DC	10 ... 55 V
Rated operating current I_e	250 mA
Utilization category according to EN 60947-5-2	
DC-12	DC-13 [1]
Short circuit and overload protection, pulsed	Yes
Rated insulation voltage U_i	
DC	60 V
Residual ripple	max.10 %
Reverse polarity protection	Yes
EMC protection requirements	EN IEC 60947-5-2
Type of output	PNP
No-load current I_0	max.15 mA
Off-state current I_r	max.0,001 mA
Voltage drop U_d	max.2,5 V
Connection cross-section	0,34 ... 1,5 mm ²
LED indicator	Yes

Operating distance

Repeat accuracy R	
According to EN 60947-5-2	max.5 %
Rated operating distance S_n	5 mm
Assured operating distance S_a	0 ... 4 mm [2]
Switching hysteresis	max.0,5 mm

Miscellaneous

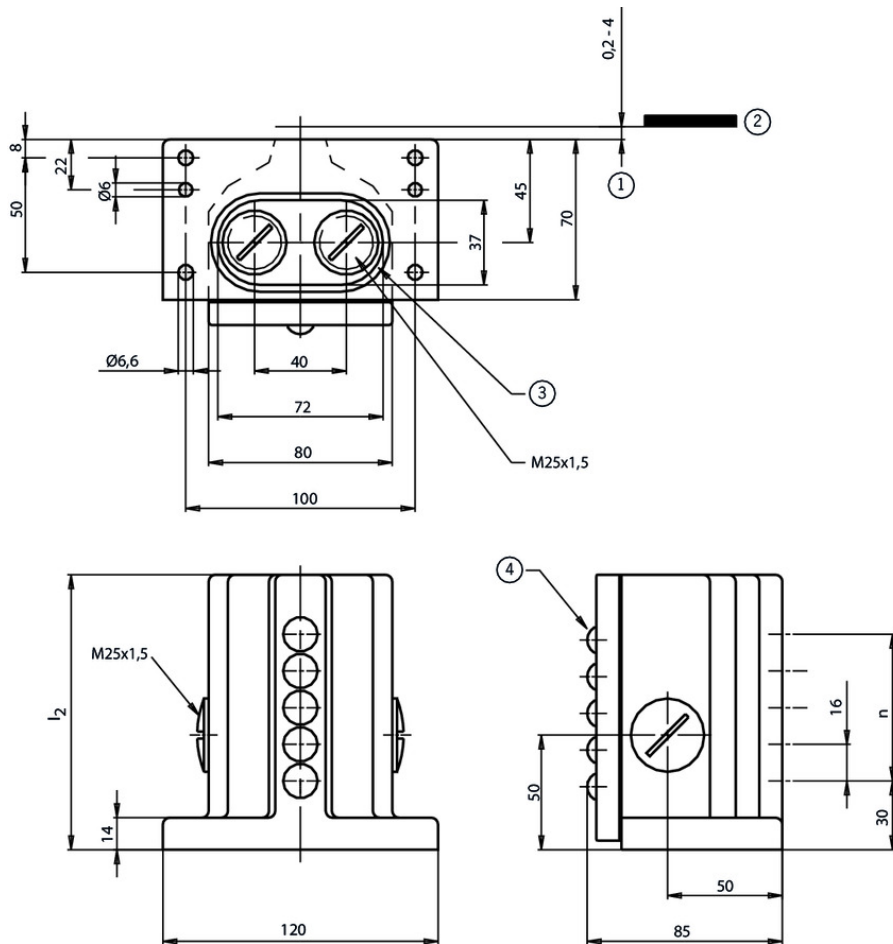
Additional information	[3]
------------------------	-----

[1] The output is to be protected with a free-wheeling diode for inductive loads.

[2] Dimension only applies for steel (ST37) and for EUCHNER trip dogs of series UX.. / GX..

[3] Switching elements with 5mm operating distance (16mm proximity switch spacing) are supplied with two different oscillator frequencies to avoid mutual interference. Multiple limit switches must therefore be assembled alternately with these switching elements.

Dimension drawing

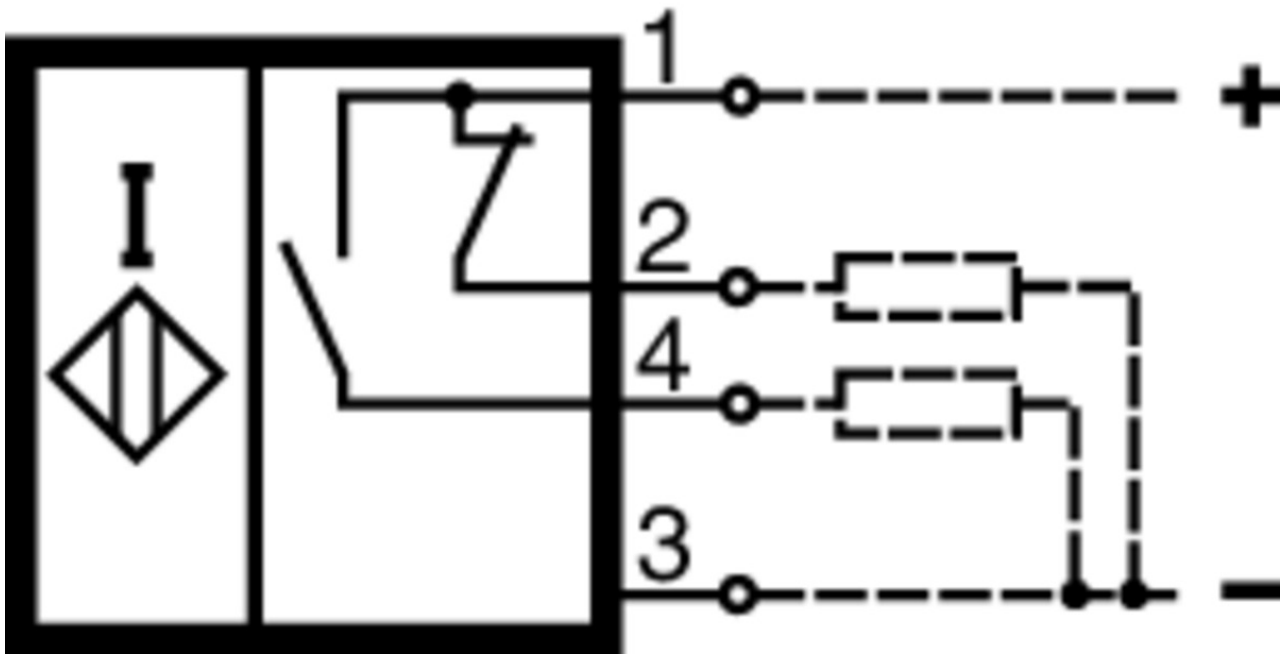


12	240
10	200
8	170
6	140
5	120
4	105
3	90
2	70
n	l ₂
5	

Legende

- 1 Operating distance: Dimension only applies for steel. With ferrite dogs operating distance 0.2 -0.7
- 2 Actuator
- 3 Groove with sealing ring
- 4 LED indicator
- 5 Number of stations

DC NO + NC, PNP781, I1 = 12 mm772, I1 = 16 mm



CAD data

CAD data for this item on TraceParts