

## ITEM 089597 RGF03D12-1514-M

Description	Technical data	Accessories	Downloads
-------------	----------------	-------------	-----------



### Features

- › plunger spacing 12 mm
- › Upright housing according to DIN 43697
- › Degree of protection IP67 according to IEC 60529

### Switching elements

**ES 502 E** Snap-action switching contact 1 NC + 1 NO

**ES 514** Snap-action switching contact 1 NC $\rightarrow$  + 1 NO

On the usage of safety switching elements, the dog distance (4-0.5) must be maintained to achieve the positively driven travel. The dogs must be positively mounted according to EN ISO 14119, i.e. riveted, welded or secured in some other way against becoming loose.

### Approvals



## Mechanical values and environment

Design	Upright, according to DIN 43697	
Housing material	Die-cast aluminum, anodized	
Weight	Net	0,9 kg
Ambient temperature	-5 ... 80 °C	
Degree of protection	IP67	
Mechanical life	1 x 10 <sup>6</sup>	
Contact material	Silver alloy, gold flashed	
Switching principle	Snap-action switching contact <b>[1]</b>	
	Snap-action switching contact <b>[2]</b>	
Plunger spacing	12 mm	
Installation position	Any	
Number of switching elements	3	
Number of positively driven contacts	1	
Number of NC contacts	2	
Number of NO contacts	3	
Connection	4 x	M25 x 1.5
Approach speed	max.	0,01 ... 40 m/min
Actuating element	Chisel plunger <b>[3]</b>	
Actuating force	min.30 N	

## Electrical connection ratings

Rated thermal current I <sub>th</sub>	8 A	
Utilization category according to EN 60947-5-1	AC-15	2.5A 230V <b>[4]</b> 6A 230V <b>[5]</b>
	DC-13	6A 24V
	AC-12	8 A, 250 V <b>[6]</b>
Short circuit protection according to IEC 60269-1	(Fuse)	6A gG <b>[7]</b>
	(Fuse)	8A gG <b>[8]</b>
Rated insulation voltage U <sub>i</sub>	250 V	
Rated impulse withstand voltage U <sub>imp</sub>	2,5 kV	
Switching current	Min. at DC 24V	min.5 mA <b>[9]</b>
	Min. at DC 12V	min.10 mA <b>[10]</b>
Connection cross-section	0,34 ... 1,5 mm <sup>2</sup>	

## Miscellaneous

**Reliability values acc. to EN ISO 13849-1**B10<sub>D</sub> $2 \times 10^6$ 

**[1]** Contact closing time < 4 ms, contact bounce time < 3 ms, applies from station 2 with switching element ES502E

**[2]** Contact closing time ≤ 5ms, contact bounce time ≤ 3ms, applies for station 1 with switching element ES514

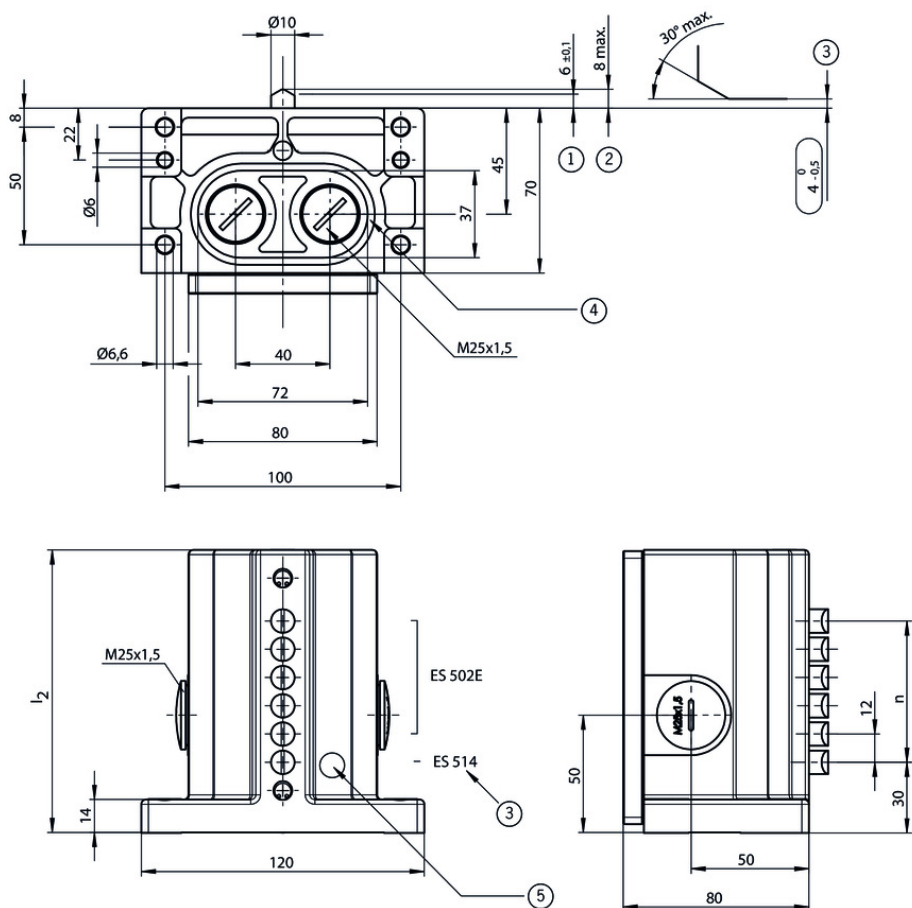
**[3]** Operating point accuracy ± 0.002. The reproducible switching point accuracy refers to the axial travel of the plunger after the switching element ES 502 E has been run-in with approx. 2000 operating cycles.

**[4, 7, 9]** Applies for station 1 with switching element ES514

**[5, 6, 8, 10]** Applies from station 2 with switching element ES502E

**[11]** On upright multiple limit switches it is necessary to start with the safety station/s on the flange side. If several safety stations are to be fitted, these must be fitted directly one after the other.

## Dimension drawing



16	240
14	240
12	200
10	170
8	140
6	120
5	105
4	90
3	80
2	70
n	$l_2$
(6)	

## Legende

1 Operating point

2 Free position

Safety switching element ES 514 positive opening. Positive opening function is dependent on maintaining this distance. Actuators (dogs) must be connected to the machine in a flush position. Switch can be replaced only with the same type.

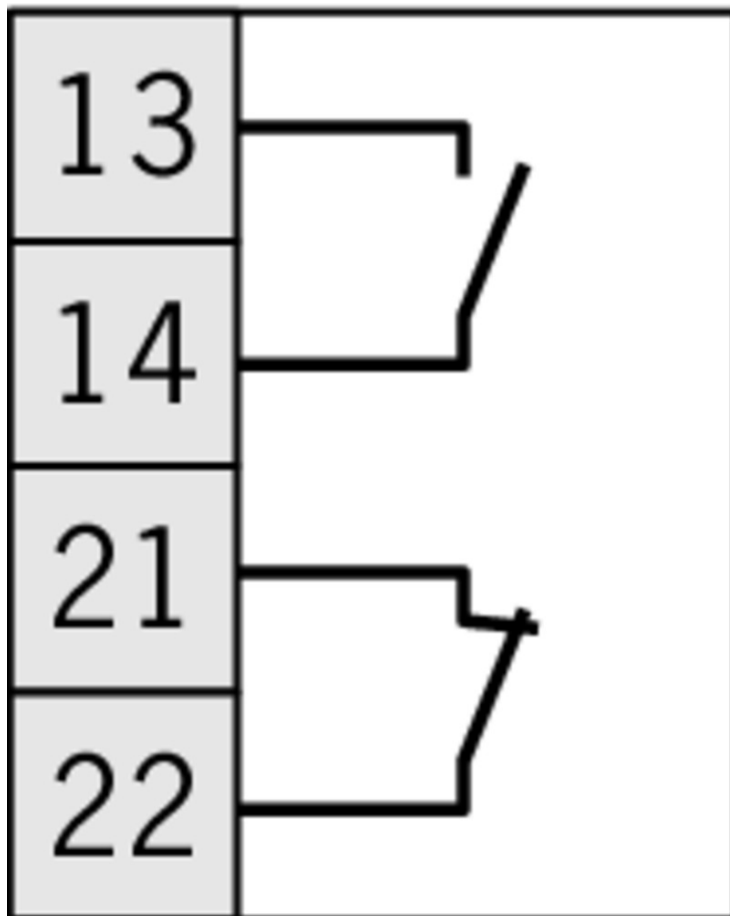
4 Groove with sealing ring

5 Pressure sensitive label 041734 applied.

6 Number of plungers

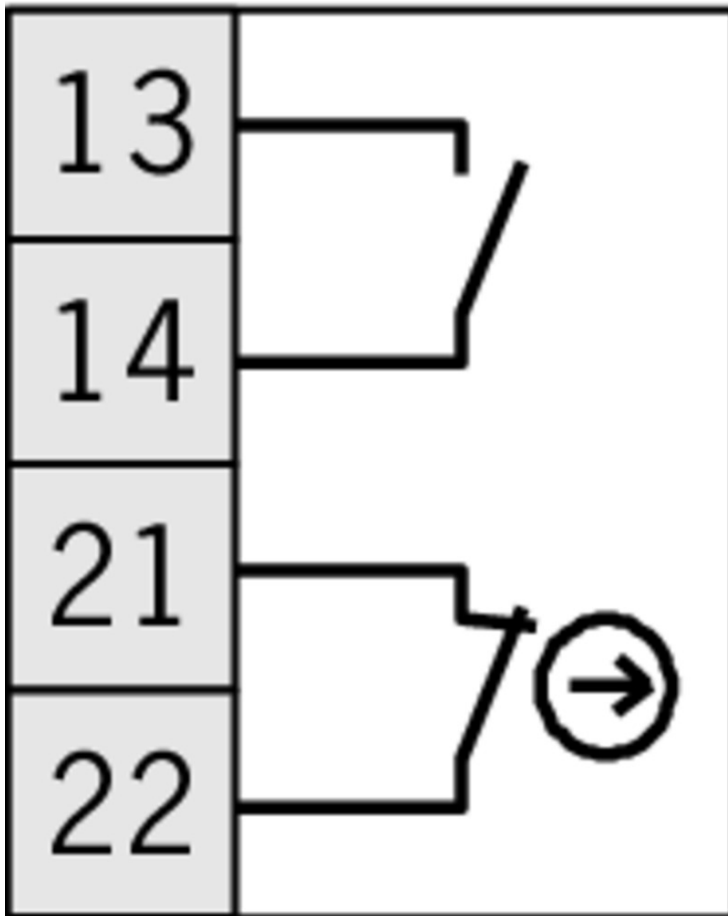
Switching element

# ES 502 E



## Switching element

# ES 514



## Instructions

- Betriebsanleitung Präzisions-Reihengrenztaster RG, GS, GL 12/16 mm

	Doc. no.	Version	Language	Download
Betriebsanleitung Präzisions-Reihengrenztaster RG, GS, GL 12/16 mm	032307	07-07/16		1.4 MB
Mode d'emploi Boîtiers multipistes de précision RG, GS, GL 12/16 mm				
Istruzioni di impiego Finecorsa multipli di precisione RG, GS, GL12/16 mm				
Operating Instructions Precision Multiple Limit Switches RG, GS, GL12/16 mm				

## Declaration of conformity

- EU prohlášení o shodě

Doc. no.    Version    Language    Download

EU-Konformitätserklärung	2077153	25-02/17		 0.3 MB
Declaración UE de conformidad				
Déclaration UE de conformité				
Dichiarazione di conformità				
EU declaration of conformity				
EU prohlášení o shodě	2077153	25-02/17		 0.5 MB
EU-overensstemmelseserklæring				
Δήλωση συμμόρφωσης της ΕΕ				
EU-vaatimustenmukaisuusvakuutus				
EU-típusbizonyítvány				
EU-conformiteitsverklaring				
Deklaracja zgodności UE				
Declaração de Conformidade UE				
Declarația de conformitate UE				
EÚ vyhlásenie o zhode				

### CAD data

CAD data for this item on TraceParts