

ITEM 095004 RGBF02D12-1508LE060-M

Description	Technical data	Accessories	Downloads
-------------	----------------	-------------	-----------



Features

- › plunger spacing 12 mm
- › Upright housing according to DIN 43697
- › Degree of protection IP67 according to IEC 60529
- › LED function display optional

Switching elements

ES 502 E Snap-action switching contact 1 NC + 1 NO

ES 508 Slow-action switching contact 1 NC \ominus

On the usage of safety switching elements, the dog distance (4.0.5) must be maintained to achieve the positively driven travel. The dogs must be positively mounted according to EN ISO 14119, i.e. riveted, welded or secured in some other way against becoming loose.

LED function display

Function displays are available for the following voltage ranges (see accessories)

LE024ge 24 V DC (for ES 514)

LE060 12 ... 60 V AC/DC

LE110 110 V AC \pm 15%

Approvals



Mechanical values and environment

Design	Upright, according to DIN 43697
Housing material	Sand-cast aluminum, anodized
Weight	
	Net 0,85 kg
Ambient temperature	-5 ... 80 °C
Degree of protection	IP67
Mechanical life	30 x 10 ⁶
Contact material	Silver alloy, gold flashed
Switching principle	
Switching element ES508	Slow-action switching contact [1]
Switching element ES502E	Snap-action switching contact [2]
Plunger spacing	12 mm
Installation position	Any
Number of switching elements	2
Number of positively driven contacts	1
Number of NC contacts	1
Number of NO contacts	1
Connection	
	4 x M25 x 1.5
Approach speed	
	max. 0,01 ... 40 m/min
Actuating element	Chisel plunger
Actuating force	min.20 N
Operating point accuracy	± 0.002 [3]

Electrical connection ratings

Rated thermal current I _{th}	8 A
Utilization category according to EN 60947-5-1	
	AC-15 6A 230V
	DC-13 6A 24V
	AC-12 8 A, 250 V [4]
Short circuit protection according to IEC 60269-1	
	(Fuse) 8A gG

Rated insulation voltage U _i	250 V
Rated impulse withstand voltage U _{imp}	2,5 kV
Switching current	
Min. at DC 24V switching element ES508	min.10 mA [5]
Min. at DC 12V switching element ES502E	10 mA [6]
Connection cross-section	0,34 ... 1,5 mm ²
Display module	
	AC/DC 12 ... 60 V 60 V LED

Miscellaneous

Additional information	Mixed contact assembly [7]
------------------------	----------------------------

Reliability values acc. to EN ISO 13849-1

B10 _D	20 x 10 ⁶
------------------	----------------------

[1, 5] Applies for station 1

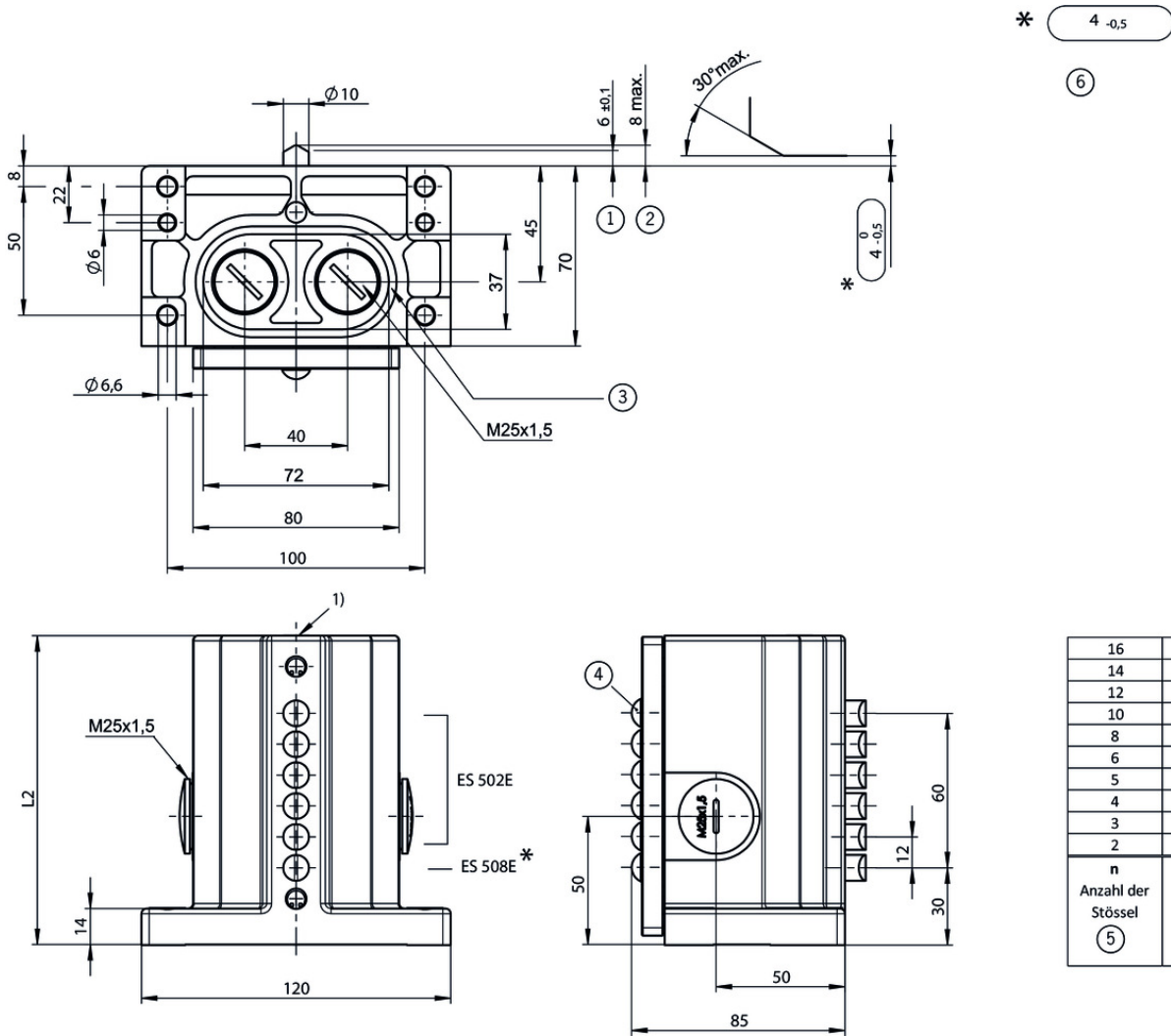
[2] Contact closing time < 4ms, contact bounce time < 3ms, applies from station 2

[3] The reproducible switching point accuracy refers to the axial travel of the plunger after the switching element ES 502 E has been run-in with approx. 2000 operating cycles.

[4, 6] Applies from station 2

[7] On upright multiple limit switches it is necessary to start with the safety station/s on the flange side. If several safety stations are to be fitted, these must be fitted directly one after the other.

Dimension drawing



Legende

1 Operating point

2 Free position

3 Groove for sealing ring

4 LED indicator

5 Number of plungers

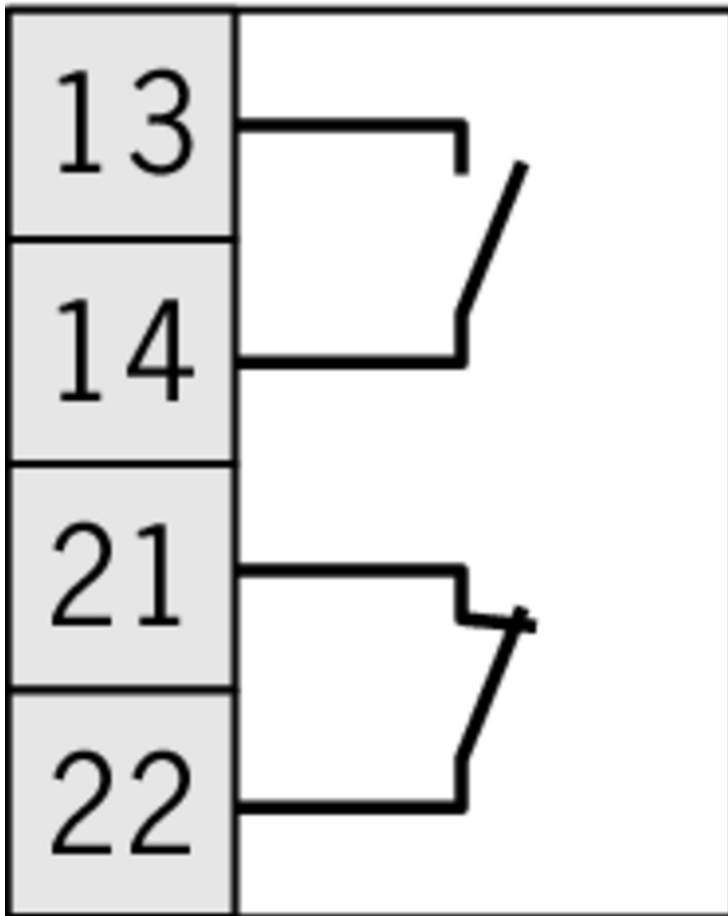
Safety switching element ES 508 positive opening. Positive opening function is dependent on maintaining this distance. Actuators (dogs) must be connected to the machine in a flush position.

6 Switch can be replaced only with the same type.

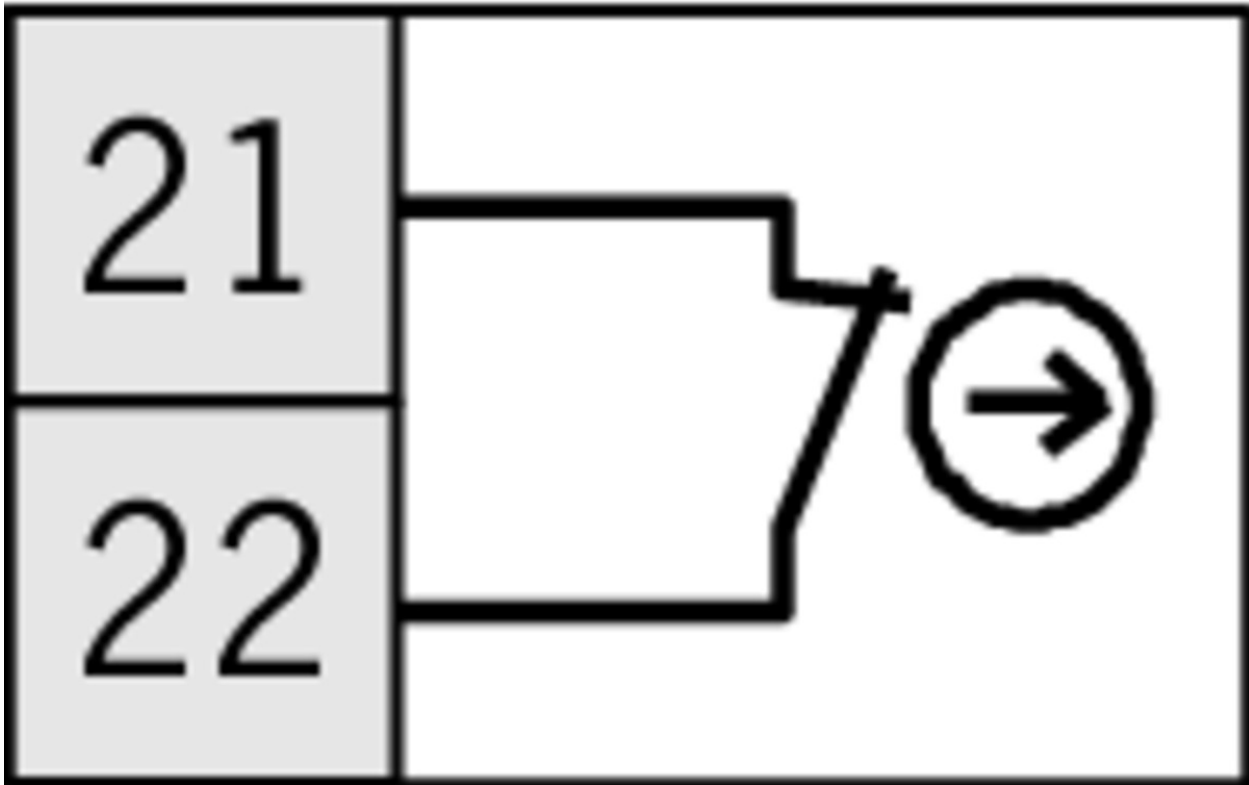
1) Pressure sensitive label 041734 applied.

16	240
14	240
12	200
10	170
8	140
6	120
5	105
4	90
3	80
2	70
n Anzahl der Stößel	L2
5	

ES 502 E



ES 508



Instructions

- ✓ Betriebsanleitung Präzisions-Reihengrenztaster RG, GS, GL 12/16 mm

	Doc. no.	Version	Language	Download
Betriebsanleitung Präzisions-Reihengrenztaster RG, GS, GL 12/16 mm	032307	07-07/16		1.4 MB
Mode d'emploi Boîtiers multipistes de précision RG, GS, GL 12/16 mm				
Istruzioni di impiego Finecorsa multipli di precisione RG, GS, GL12/16 mm				
Operating Instructions Precision Multiple Limit Switches RG, GS, GL12/16 mm				

Declaration of conformity

- ✓ EU prohlášení o shodě

Doc. no. Version Language Download

EU-Konformitätserklärung	2077153	25-02/17		 0.3 MB
Declaración UE de conformidad				
Déclaration UE de conformité				
Dichiarazione di conformità				
EU declaration of conformity				
EU prohlášení o shodě	2077153	25-02/17		 0.5 MB
EU-overensstemmelseserklæring				
Δήλωση συμμόρφωσης της ΕΕ				
EU-vaatimustenmukaisuusvakuutus				
EU-típusbizonyítvány				
EU-conformiteitsverklaring				
Deklaracja zgodności UE				
Declaração de Conformidade UE				
Declarația de conformitate UE				
EÚ vyhlásenie o zhode				

CAD data

CAD data for this item on TraceParts